



**INSTALLATION  
INSTRUCTIONS**

Accessory  
**REAR LOWER TRIM  
(ALUMINUM)**  
P/N 08P46-SZA-100A

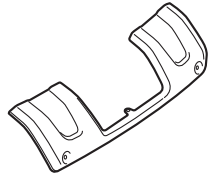
Application  
**2009 PILOT**

Publications No.  
**All 39783-40208**

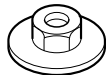
Issue Date  
**AUG 2008**

**PARTS LIST**

Rear lower trim



2 Washer-nuts



2 Special bolts



2 Washers



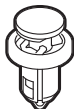
2 Spacers



4 Bolts



Clip



**TOOLS AND SUPPLIES REQUIRED**

Stubby Phillips screwdriver

Ratchet

Socket

Hex wrench

Pushpin

Drill

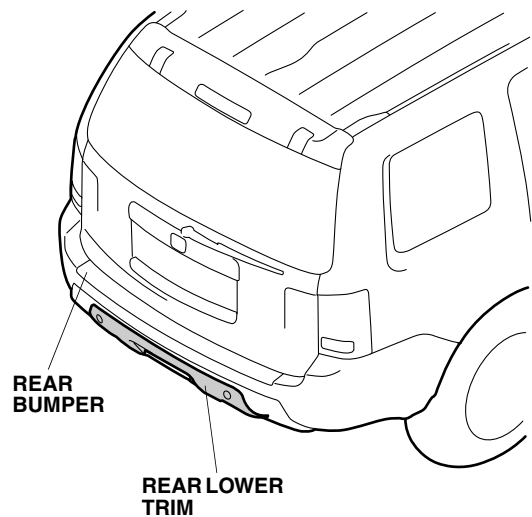
3 mm and 10 mm Drill bits

19 mm Hole saw

Eye protection (safety goggles, face shield, etc.)

Blanket

***Illustration of the Rear Lower Trim Kit Installed on the Vehicle***



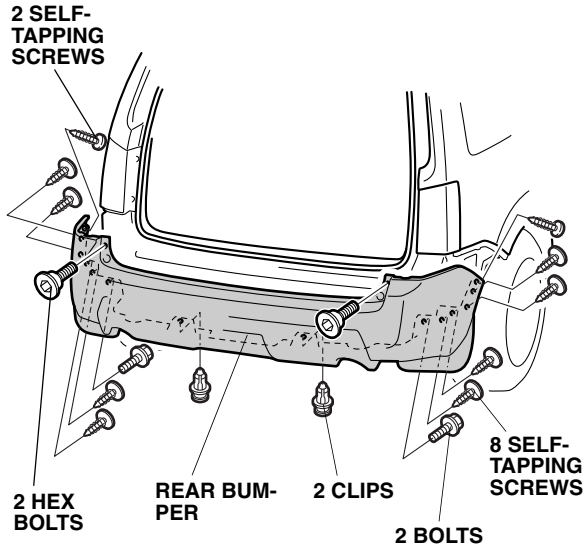
## INSTALLATION

**Customer Information:** The information in this installation instruction is intended for use only by skilled technicians who have the proper tools, equipment, and training to correctly and safely add equipment to your vehicle. These procedures should not be attempted by "do-it-yourselfers."

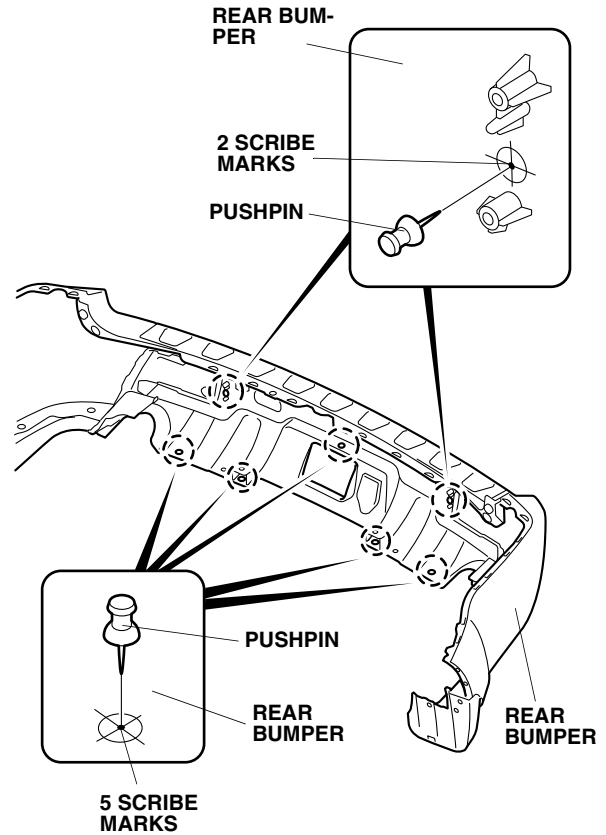
### NOTE:

Do not damage the body paint finish. To prevent damage, place a blanket under the rear bumper during the installation.

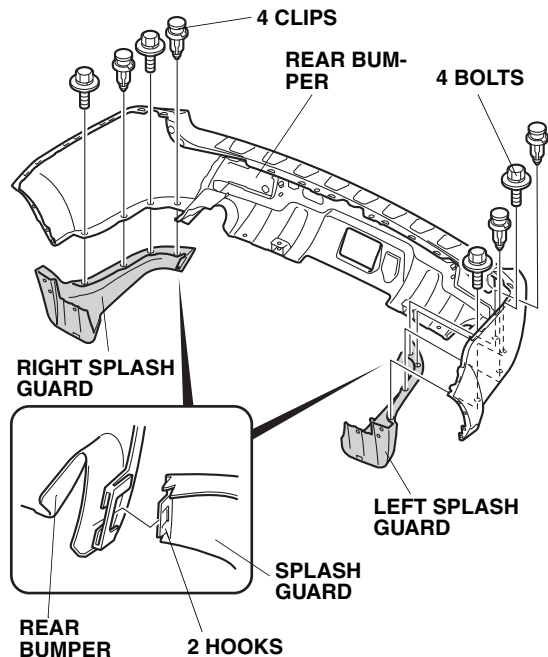
1. Remove the rear bumper (two clips, two bolts, two hex bolts, and ten self-tapping screws). Have an assistant help you when removing and installing the rear bumper. Place the rear bumper on a blanket after removal.



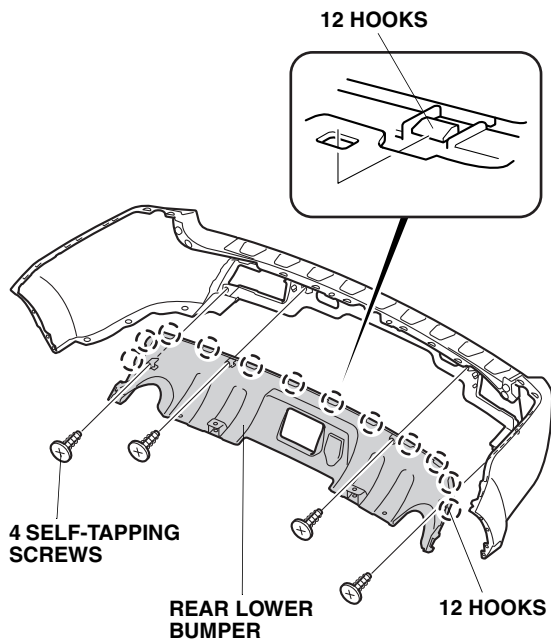
2. Using a pushpin, locate the seven scribe marks, and pierce through the center of the seven scribe marks using a pushpin.



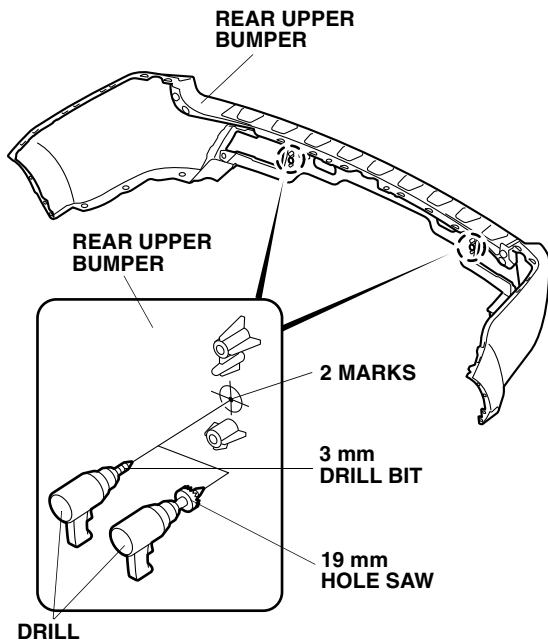
3. Remove the left and right splash guards (four clips, four bolts, and two hooks).



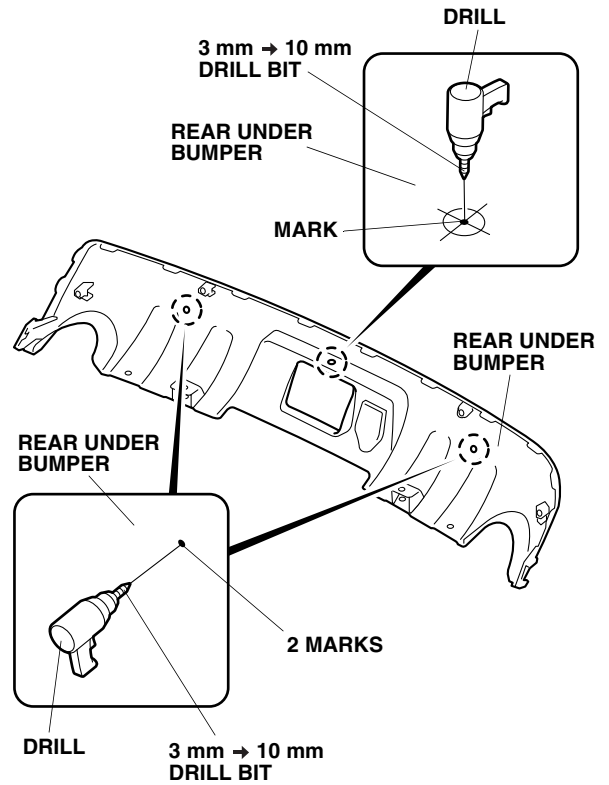
4. Remove the rear lower bumper (four self-tapping screws and twelve hooks).



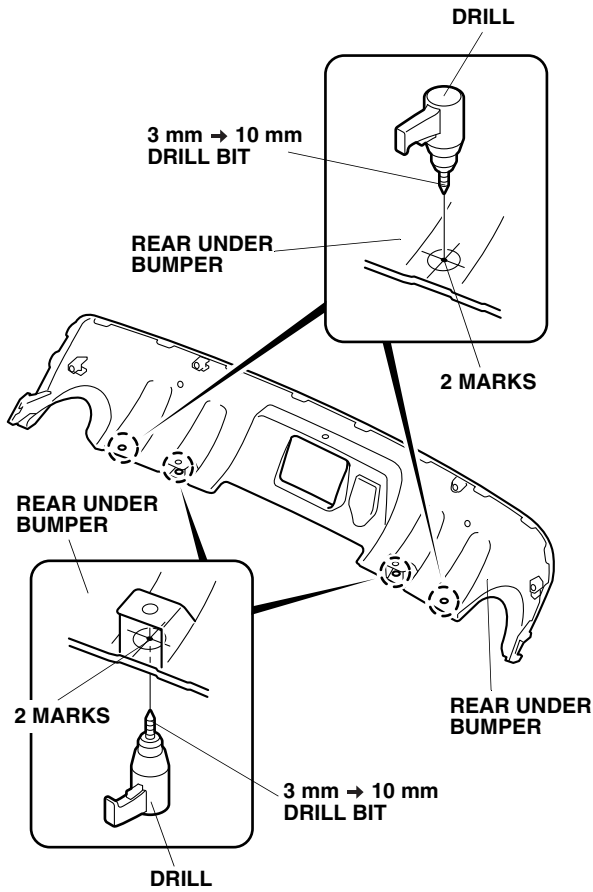
5. While wearing eye protection, drill the two marks on the rear bumper. First drill with a 3 mm drill bit and finish with a 19 mm hole saw, and remove all burrs.



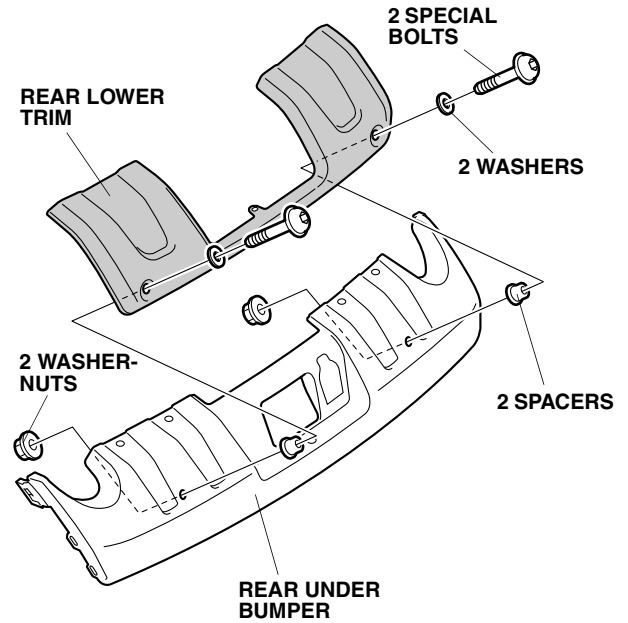
6. While wearing eye protection, drill the three upper marks on the rear under bumper. First drill with a 3 mm drill bit and finish with a 10 mm drill bit, and remove all burrs.



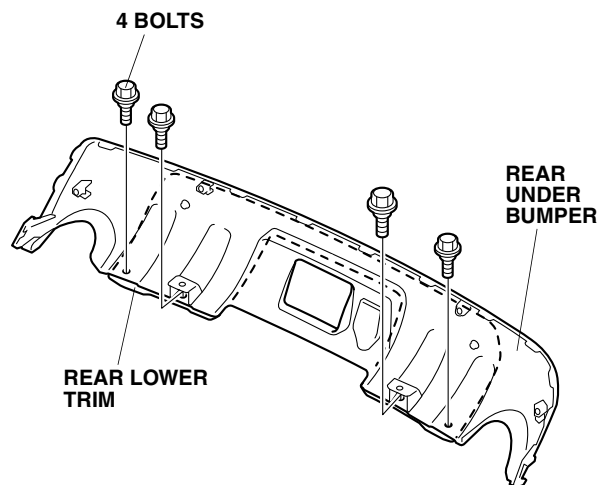
6. While wearing eye protection, drill four lower marks on the rear under bumper. First drill with a 3 mm drill bit and finish with a 10 mm drill bit, and remove all burrs.



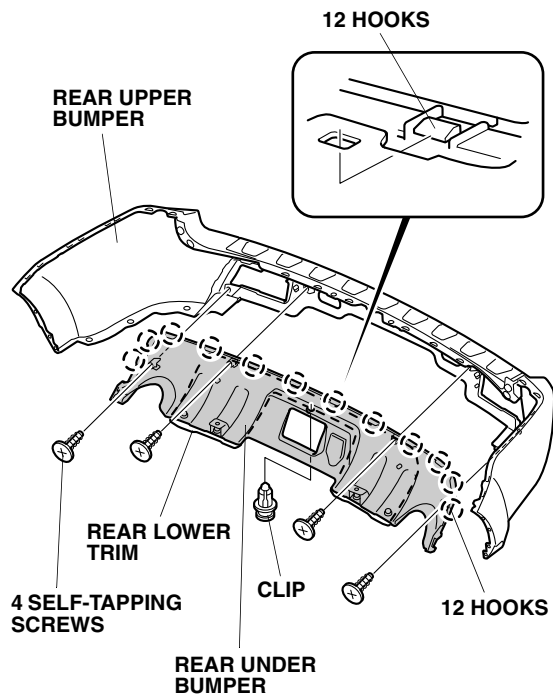
7. Position the rear lower trim to the rear under bumper, and install two washer-nuts, two washers, two spacers, and two special bolts as shown. Torque the special bolts to 4 N·m (3 lbf·ft).



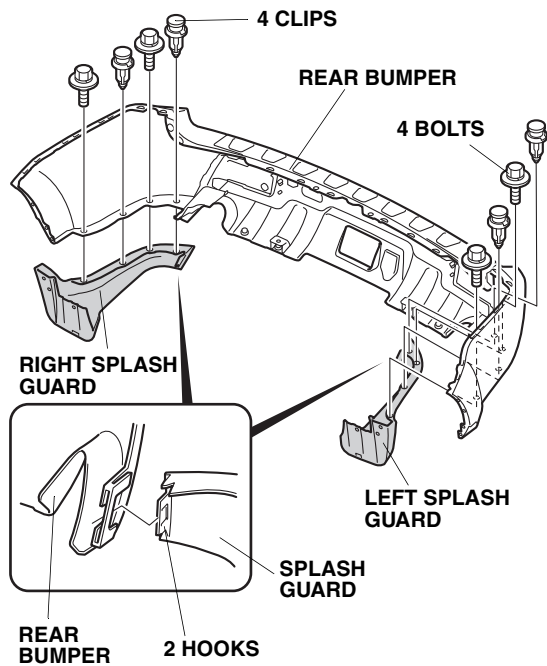
8. Secure the rear lower trim to the rear under bumper with four bolts.



9. Reinstall the rear under bumper to the rear upper bumper.



10. Install one clip to the rear lower trim.
11. Reinstall the left and right splash guards to the rear bumper.



12. Reinstall the rear bumper.

