



INSTALLATION INSTRUCTIONS

Accessory
CROSSBARS
 (EX, EX-L, TOURING)
 P/N 08L04-SHJ-101

Application
2010 ODYSSEY

Publications No.
All 41823
 Issue Date
JUNE 2009

PARTS LIST

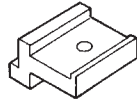
Front crossbar
 (longer)



Rear crossbar
 (shorter)



4 Holders



4 Special bolts



4 Washers



4 Lock washers



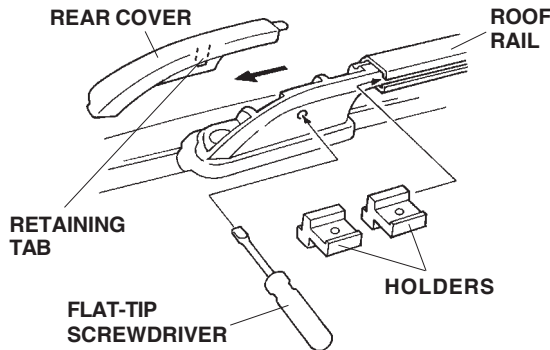
TOOLS REQUIRED

Small flat-tip screwdriver
 T-30 TORX screwdriver

INSTALLATION

NOTE:

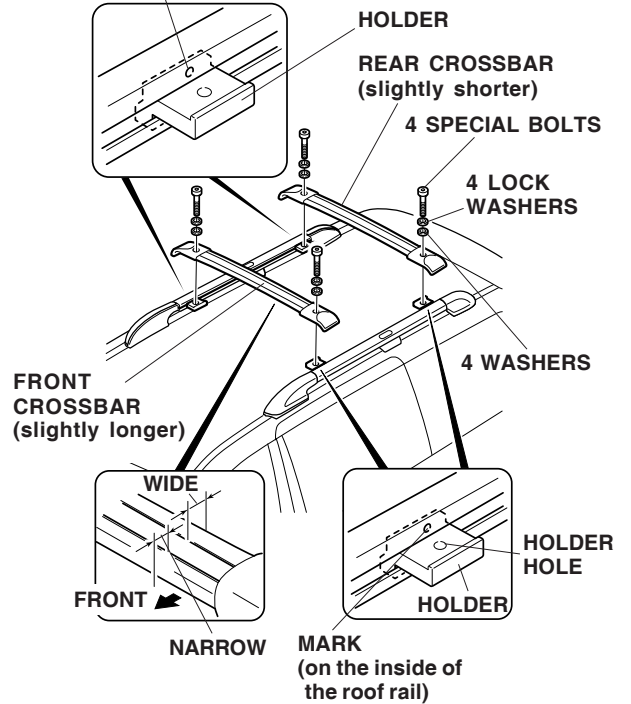
- Wipe the roof rails clean before installing the crossbars.
 - Be careful not to damage the body paint.
- Insert a small flat-tip screwdriver into the hole on the inside of the roof rail base and release the retaining tab, then remove the rear cover.



- Insert two holders in the groove of the roof rail.

- Repeat steps 1 and 2 for the other roof rail.
- Align the hole in each holder with the mark on the inside of the roof rail.

MARK (on the inside of the roof rail)



- Position the crossbars on the holders, and install the special bolts with washers and lock washers. Tighten the bolts securely.
- Reinstall the rear covers on the roof rails.

USE AND CARE

- Check the roof rack crossbar mounting bolts frequently, and retighten them if necessary.
- Distribute the weight of the cargo evenly, and do not exceed the maximum weight capacity of 150 lb (68 kg).