



INSTALLATION INSTRUCTIONS

Accessory

THIRD ROW SEAT COVER
P/N 08P93-SHJ-100A

Application

2010 ODYSSEY

Publications No.

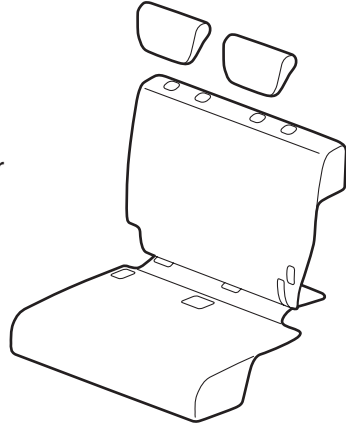
All 41853

Issue Date

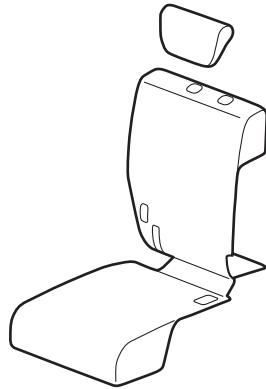
JUNE 2009

PARTS LIST

Third row right seat cover



Third row left seat cover



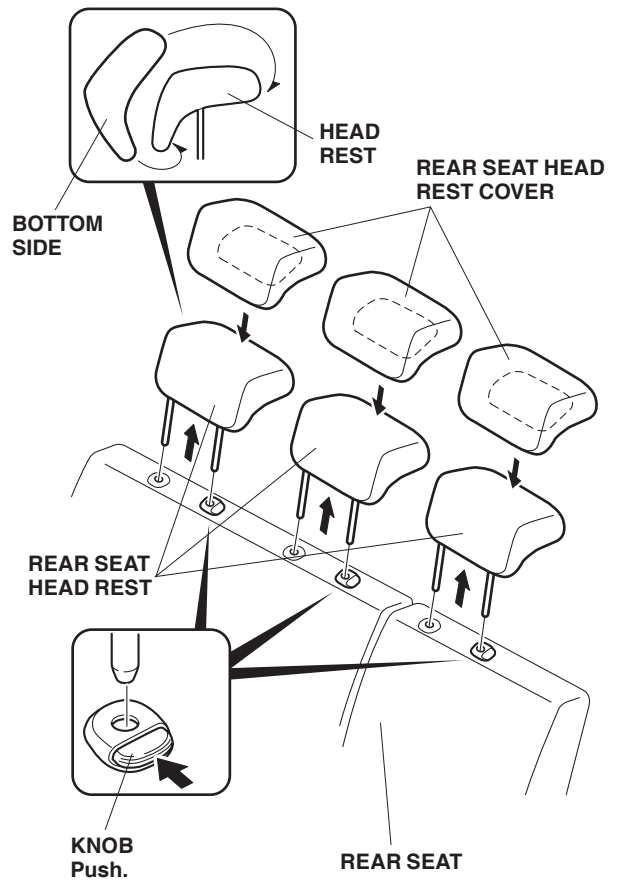
TOOLS AND SUPPLIES REQUIRED

Safety gloves

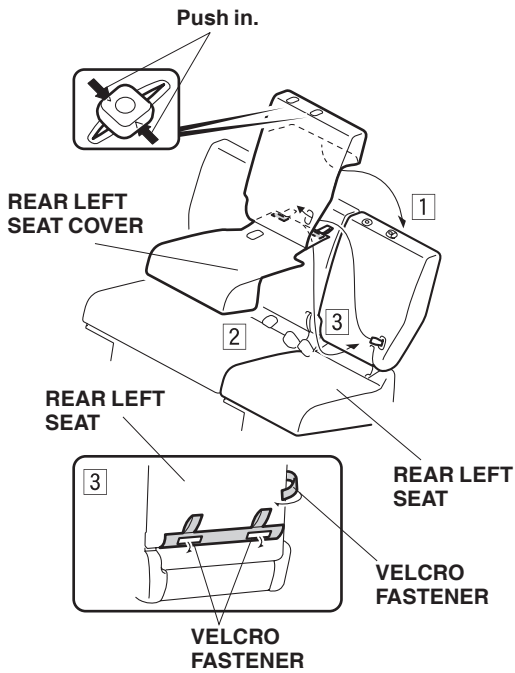
INSTALLATION

NOTE: Do not install seat cover to the front seats. Improperly covering front seat back can prevent your side airbags from inflating during side impact.

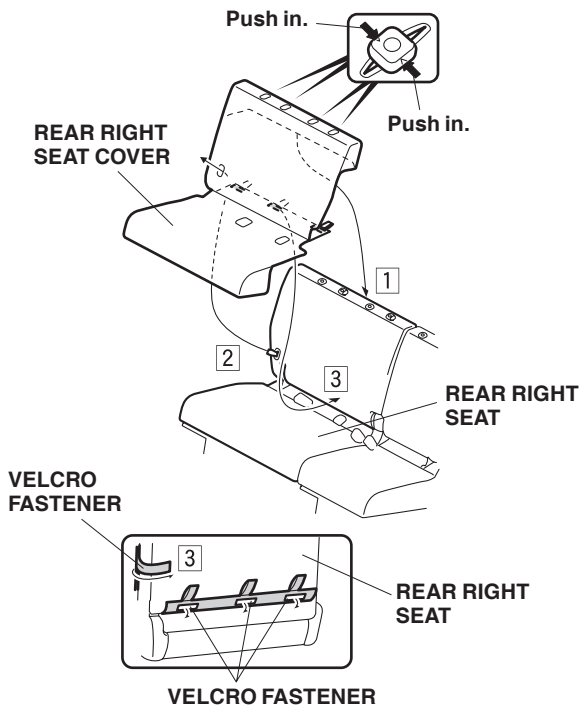
1. Push the knob to release the rear seat head rests from the rear seat. Install the rear seat head rest cover onto the head rest from the bottom side as shown.



2. Install the rear left seat cover to the rear left seat in the following order (1→2→3).



3. Install the rear right seat cover to the rear right seat in the following order (1→2→3).



4. Install the headrests back onto the rear seats.
- Make sure the head rest button is not covered.