



## INSTALLATION INSTRUCTIONS

Accessory  
**CROSSBARS**  
 (EX, EX-L, TOURING)  
 P/N 08L04-SHJ-100

Application  
**2008 ODYSSEY**

Publications No.  
**All 38155**  
 Issue Date  
**OCT 2007**

### PARTS LIST

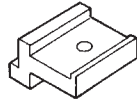
Front crossbar  
 (longer)



Rear crossbar  
 (shorter)



4 Holders



4 Special bolts



4 Washers



4 Lock washers



### TOOLS REQUIRED

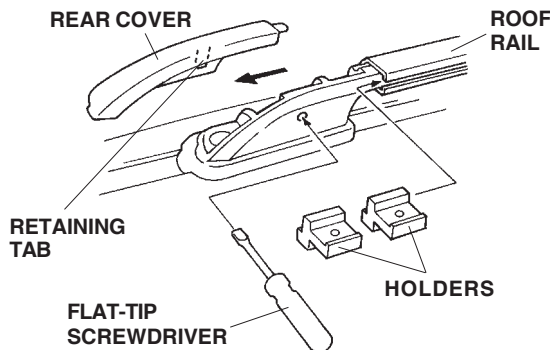
Small flat-tip screwdriver

T-30 TORX screwdriver

### INSTALLATION

#### NOTE:

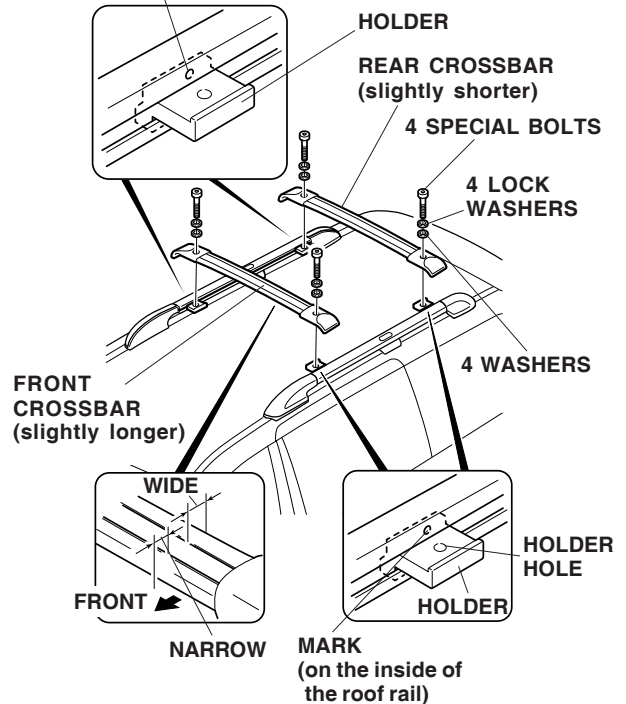
- Wipe the roof rails clean before installing the crossbars.
  - Be careful not to damage the body paint.
- Insert a small flat-tip screwdriver into the hole on the inside of the roof rail base and release the retaining tab, then remove the rear cover.



- Insert two holders in the groove of the roof rail.

- Repeat steps 1 and 2 for the other roof rail.
- Align the hole in each holder with the mark on the inside of the roof rail.

#### MARK (on the inside of the roof rail)



- Position the crossbars on the holders, and install the special bolts with washers and lock washers. Tighten the bolts securely.
- Reinstall the rear covers on the roof rails.

### USE AND CARE

- Check the roof rack crossbar mounting bolts frequently, and retighten them if necessary.
- Distribute the weight of the cargo evenly, and do not exceed the maximum weight capacity of 150 lb (68 kg).