



These are the best instructions available for replacement of the rear tailgate trim. Since this is not an accessory but instead considered a replacement part, Honda does not supply regular installation instructions as normally found on our web site.

- KTC trim tool set SOJATP2014

NOTE:

- Put on gloves to protect your hands.
- Take care not to bend or scratch the trim and panels.
- Use the appropriate tool from the *KTC trim tool set to avoid damage when prying components.

1. Remove the tailgate upper trim panel (A).

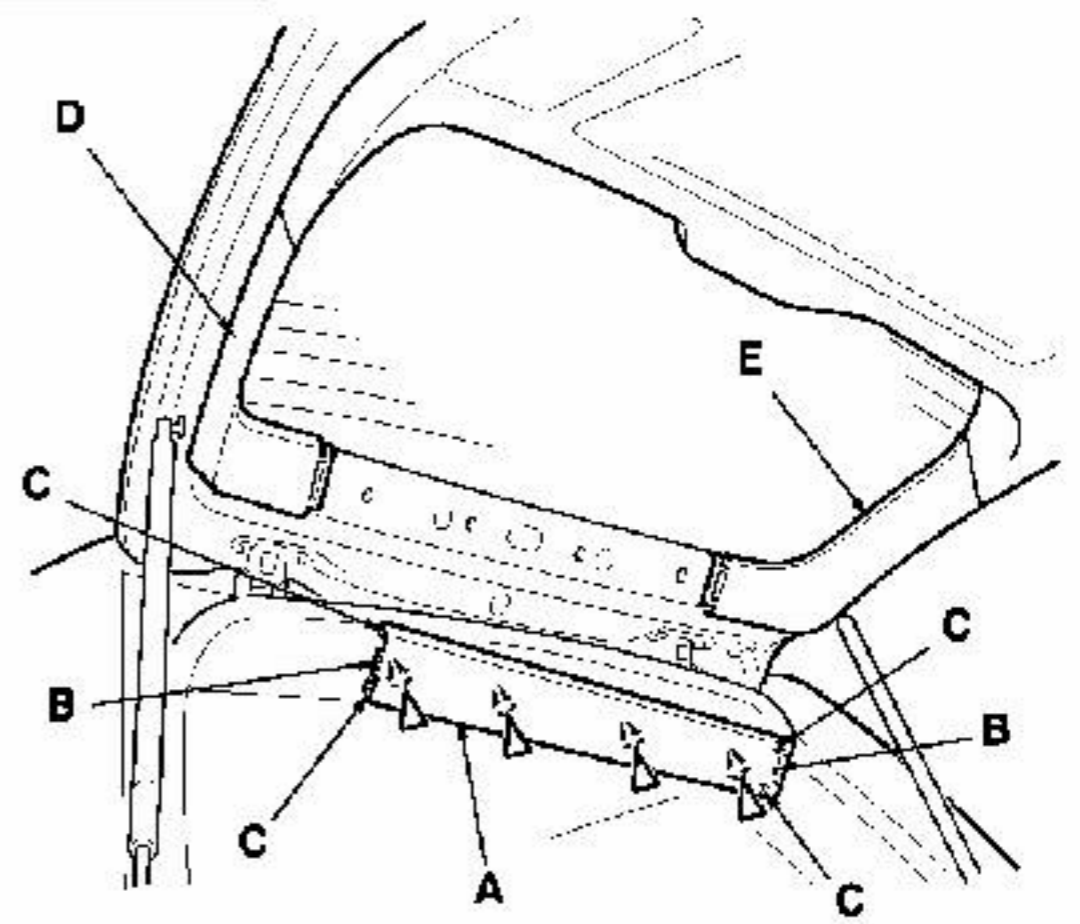
- 1 Detach the hooks (B) and tabs (C) from the left tailgate side trim (D) and right tailgate side trim (E).
- 2 Pull the tailgate upper trim panel back by hand to detach the clips, then remove it.

*The KTC trim tool set is not available from College Hills Honda Parts. This tool set is used to help prevent damage to interior trim when detaching components. Although other tools can be used to perform the same job, we recommend that if you do not feel comfortable with the installation of this item please see a trained technician for installation.



Fastener Locations

▷ : Clip, 4 (White)

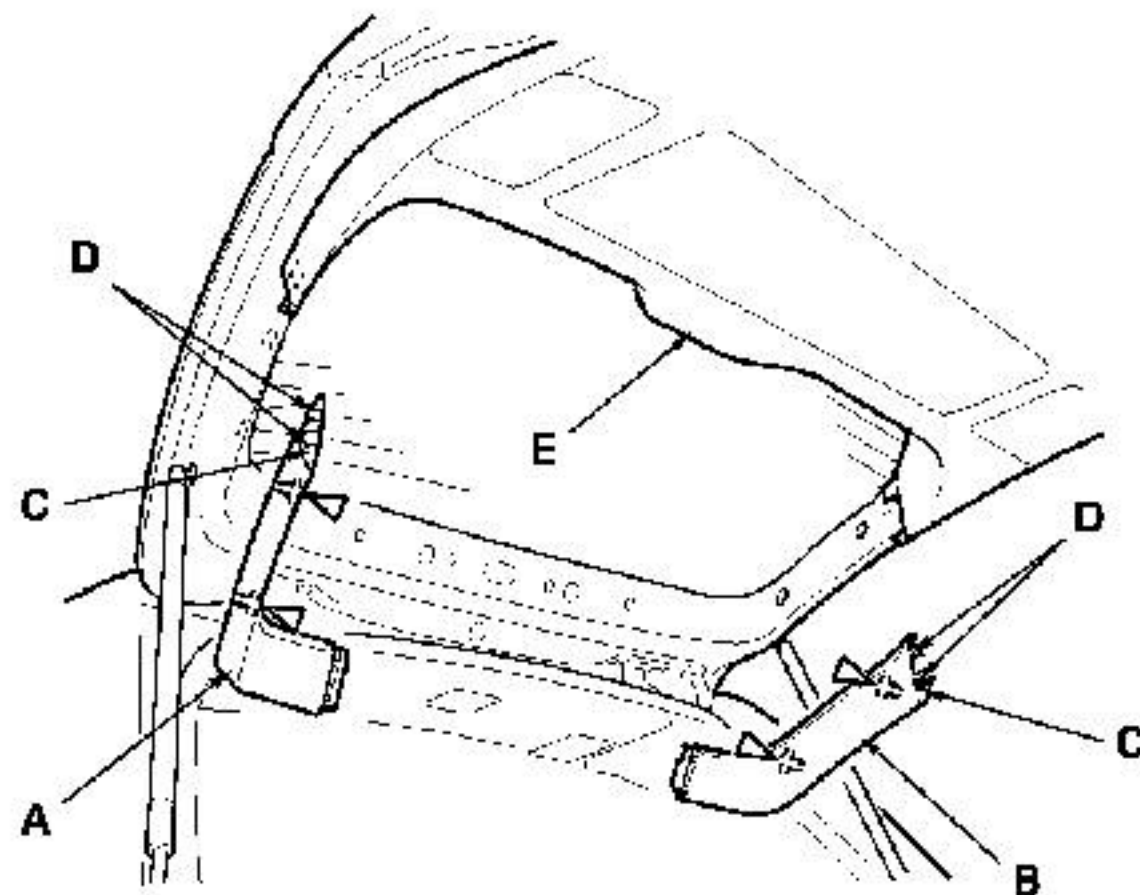
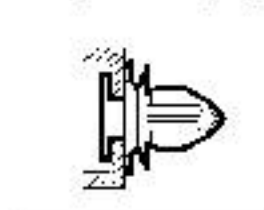


2. Remove the left tailgate side trim (A) and the right tailgate side trim (B).
 - 1 Pull out the top of the side trim to detach the clips.
 - 2 Detach the tabs (C) and hooks (D) from the tailgate lower trim panel (E).



Fastener Locations

▷ : Clip, 4
(Orange)



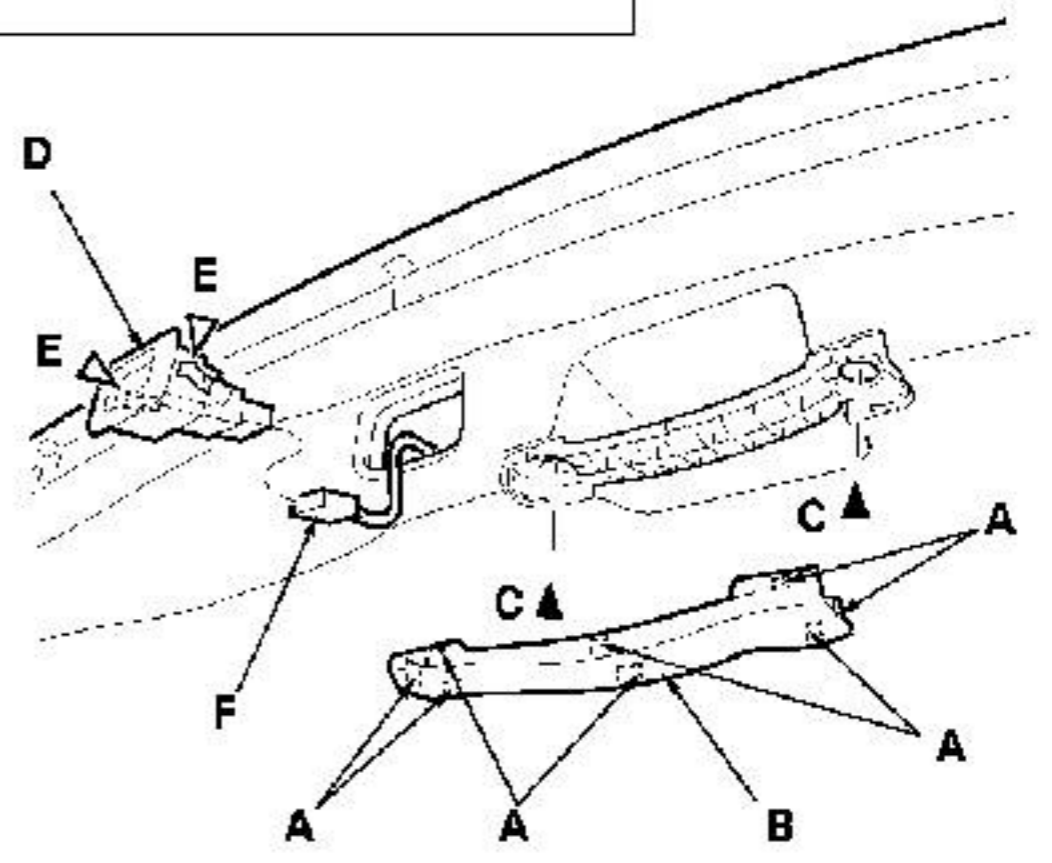


- 3. Release the hooks (A), then remove the tailgate grip cover (B) and the self-tapping ET screws (C).
- 4. With power tailgate: Gently pry on the rear power tailgate close switch (D) to detach the clips (E), then disconnect the switch connector (F).



Fastener Locations

C ▷ : ET Screw, 2 **E** ▷ : Clip, 2



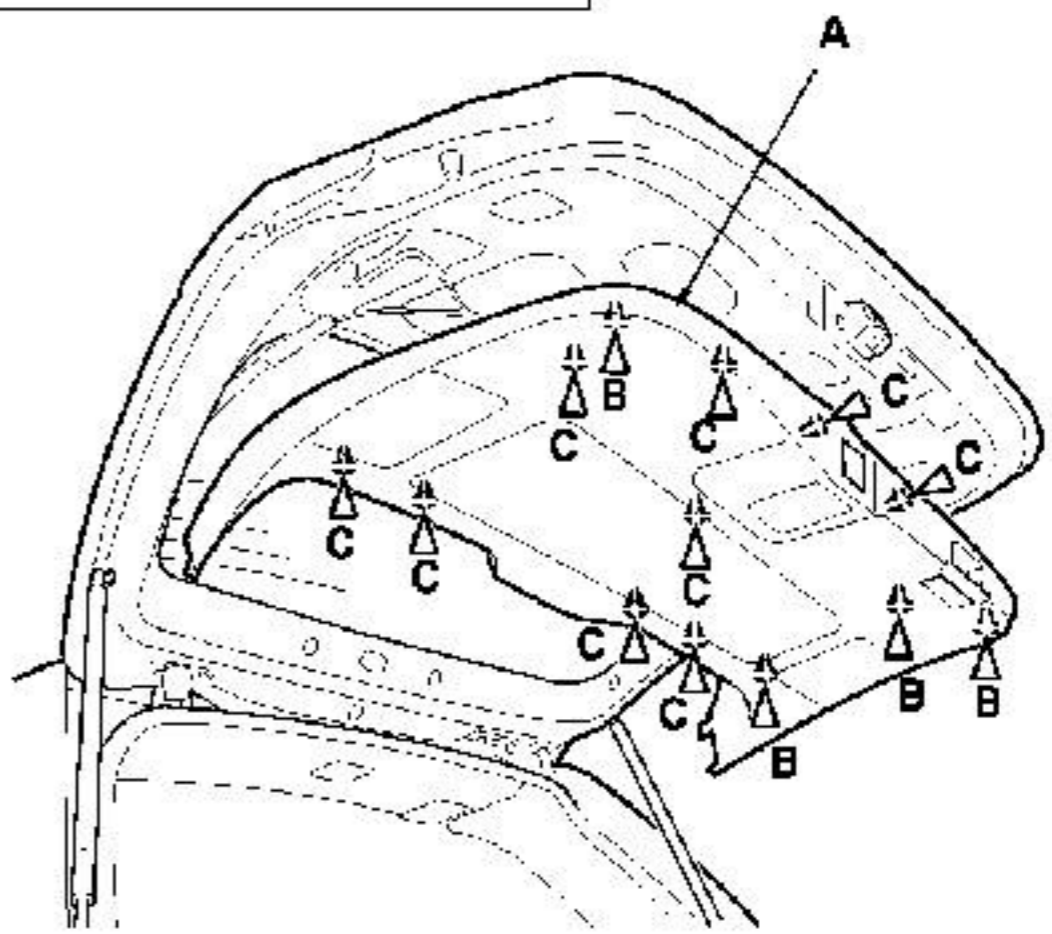


5. Remove the tailgate lower trim panel (A) by pulling it out to detach the clips (B, C) and then pulling it up to remove it.
6. Install the trim in the reverse order of removal, and note these items:
 - Make sure that each connector is plugged in properly.
 - Replace any damaged clips.
 - Push the clips into place securely.



Fastener Locations

B ▷ : Clip, 4 (White) **C** ▷ : Clip, 9 (Gray)



[<LIST OF PREVIOUS PROCEDURES>](#)

Close

2005 ODYSSEY - Rear License Trim Replacement

Screen 2 of 3

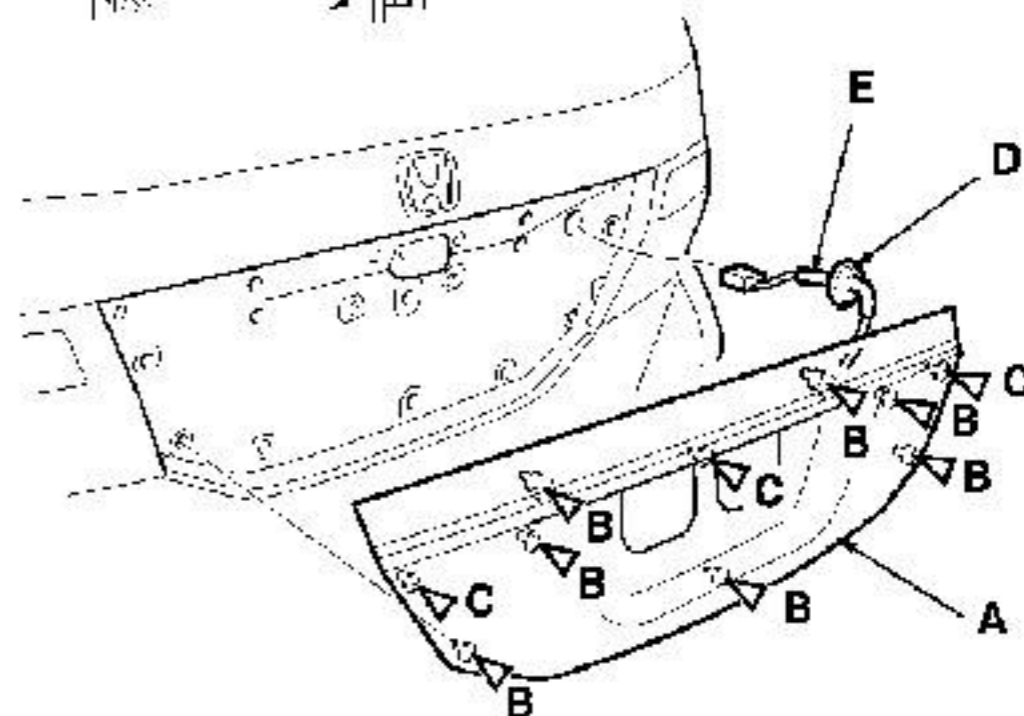
3. Remove the rear license trim (A).

-1 Open the tailgate.

-2 From inside the tailgate, detach the clips (B, C).

-3 Gently close the tailgate.

-4 Release the harness grommet (D) from the body, then pull out the rear license light subharness (E).

**Fastener Locations****B ▷ : Clip, 7 C ▷ : Clip, 3**

2005 ODYSSEY - Rear License Trim Replacement

Screen 3 of 3

4. With navigation system: Remove the rear license molding (A).

-1 Pull out the molding to detach the clips (B) from the rear license trim (C).

-2 Remove the screws (D), then remove the rear camera unit (E) from the rear license trim.

-3 Disconnect the rear license light connectors (F).

5. Install the trim in the reverse order of removal, and note these items:

- Replace any damaged clips.
- Make sure the rear license light subharness connector is plugged in properly.
- Make sure the harness grommet is installed securely.
- Push the clips into place securely.

**Fastener Locations****B ▷ : Clip, 4 D ▷ : Screw, 2**