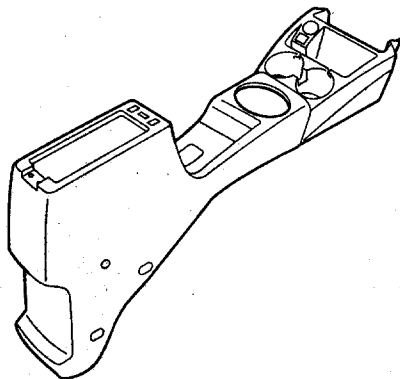


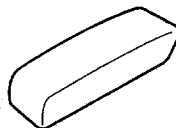
| | | | |
|--------------------------------------|------------------------|------------------|--------------------------------|
| INSTALLATION INSTRUCTIONS | Accessory | Application | Publications No. |
| | ARMREST CONSOLE | 2005 JAZZ | Issue Date MAR. 2005 |

PARTS LIST

Armrest console



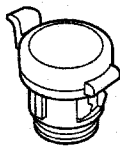
Lid



2 Self-tapping screws



Socket case



TOOLS AND SUPPLY REQUIRED

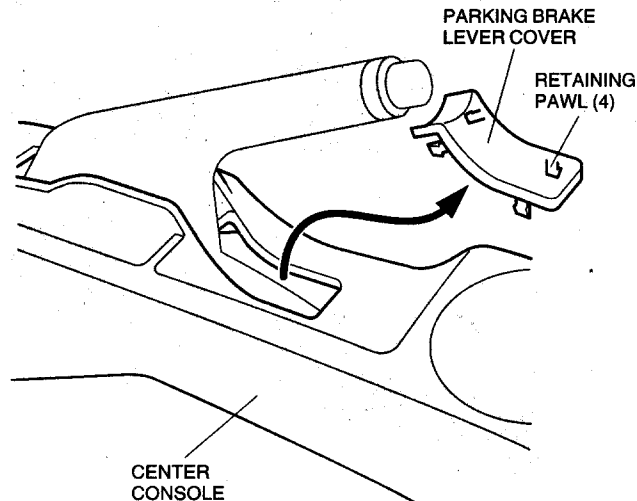
Phillips screwdriver
Flat-tip screwdriver
Shop towel

INSTALLATION

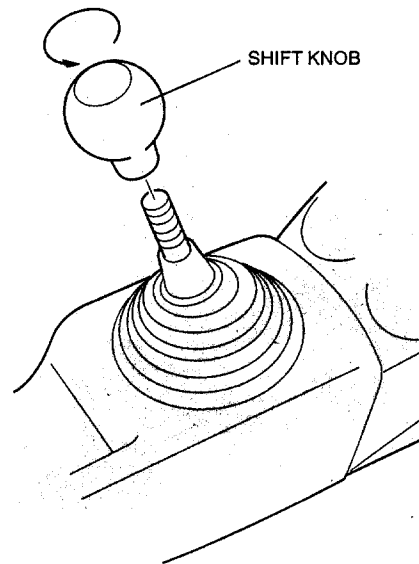
Before You Begin:

- Before removing parts, note their locations so that they can be reinstalled in their original places properly.

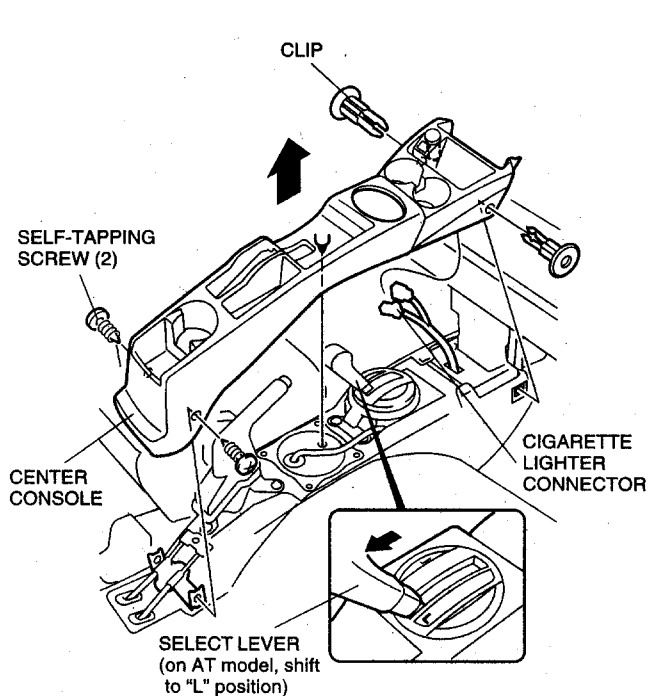
1. Pry up on the four retaining tabs and remove the parking brake lever cover from the center console.



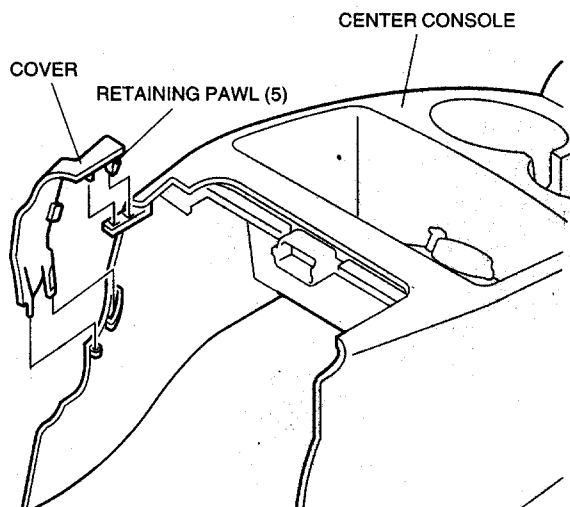
2. On MT model, remove the shift knob by turning it counterclockwise.



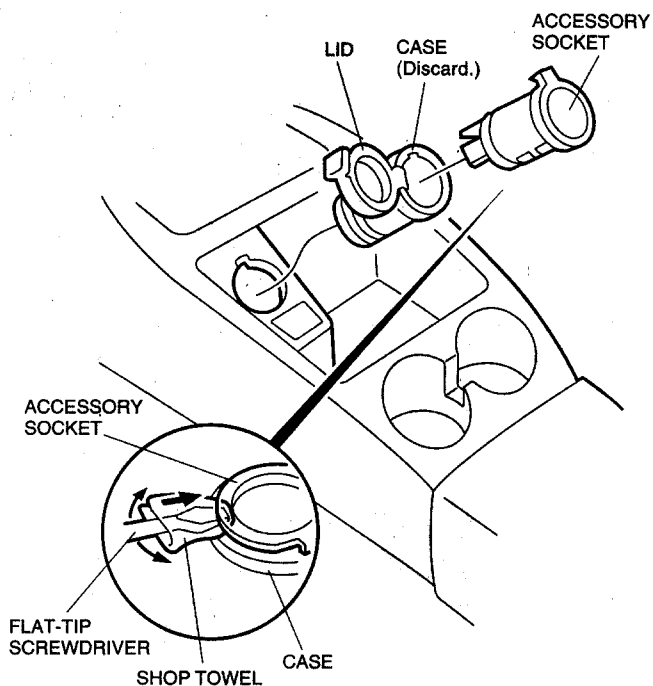
3. On AT model, shift the select lever to the "L" position.
4. Remove the two self-tapping screws and two clips securing the center console from the outside. Lift the center console straight up to release the inner clip as shown.
5. Unplug the cigarette lighter connectors from the center console and remove the center console.



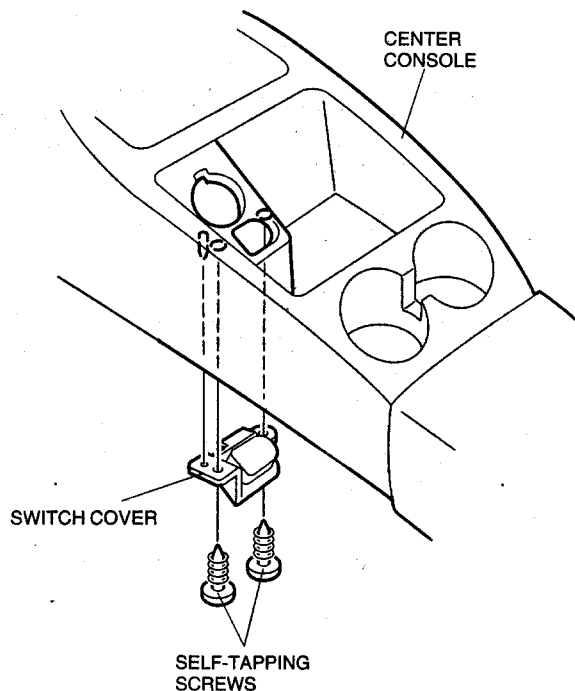
6. Pry up on the five retaining pawls and remove the cover from the center console.



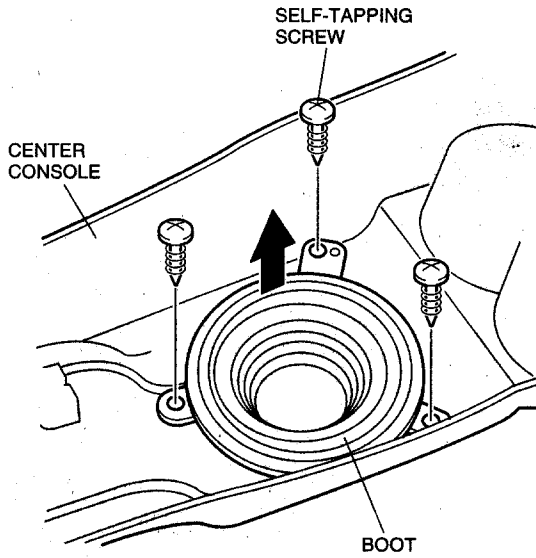
7. Open the accessory socket lid and remove the socket from the case by prying between the socket and case with the end of a flat-tip screwdriver.
 - To prevent damage, use a shop towel around the end of a flat-tip screwdriver when removing the socket from the case.
8. Remove the case from the center console.



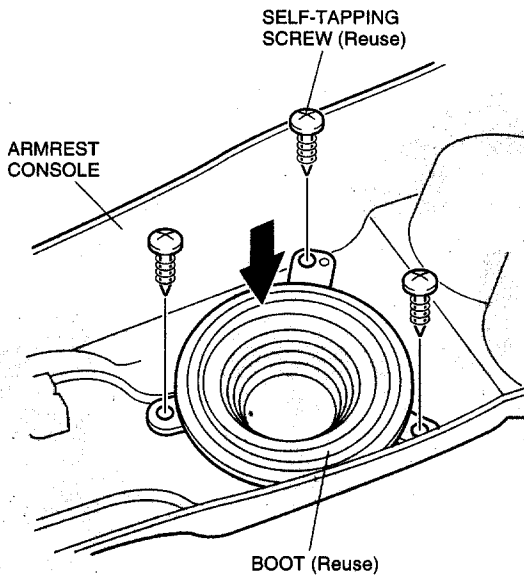
9. Remove the two self-tapping screws fastening the switch cover and remove the switch cover.



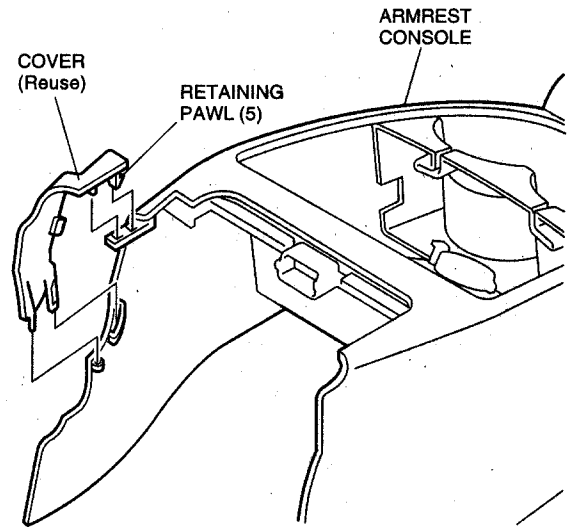
10. On MT model, remove the boot by removing the three self-tapping screws



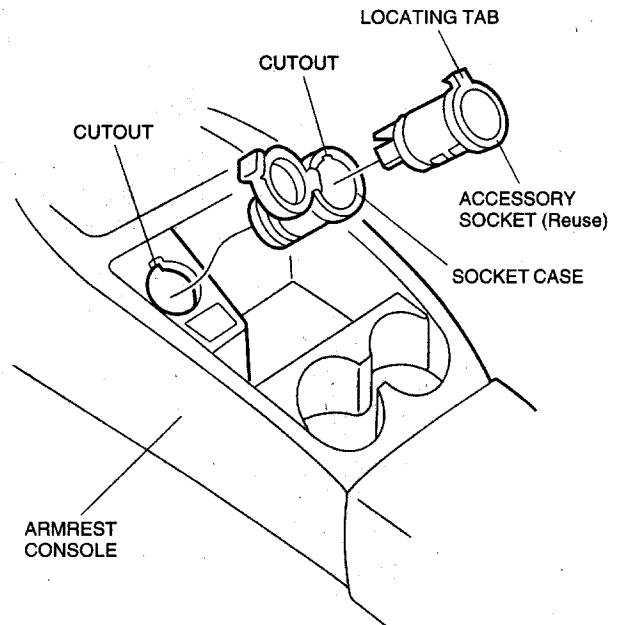
11. On MT model, reinstall the boot removed in step 10 using the three self-tapping screws retained.



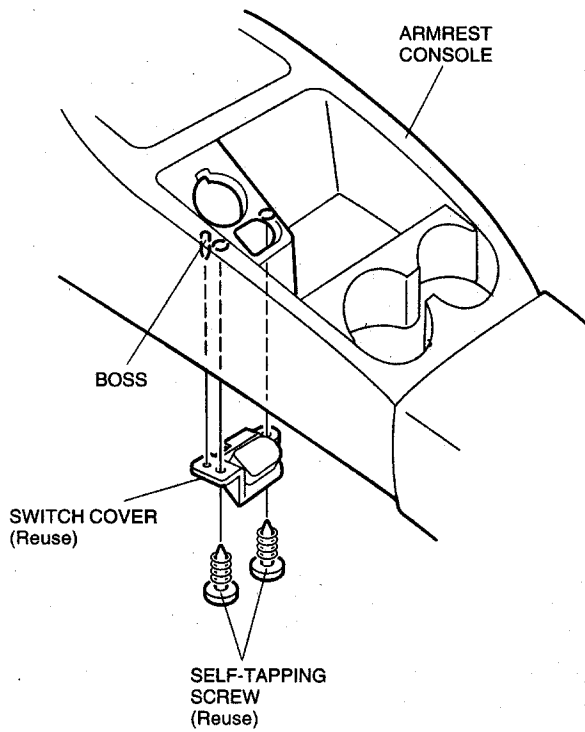
12. Reinstall the cover removed in step 6 on the armrest console.



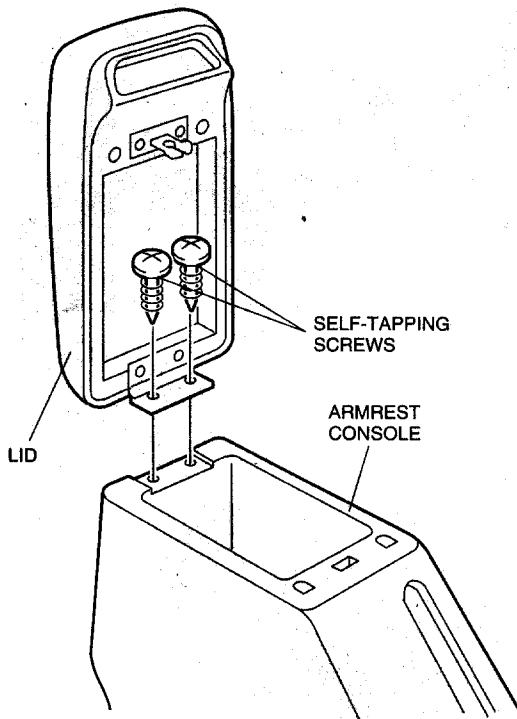
13. Install the socket case in the hole of the armrest console by aligning their cutouts; then, slide the accessory socket into the socket case by aligning its locating tab with the cutouts in the socket case and armrest console as shown.



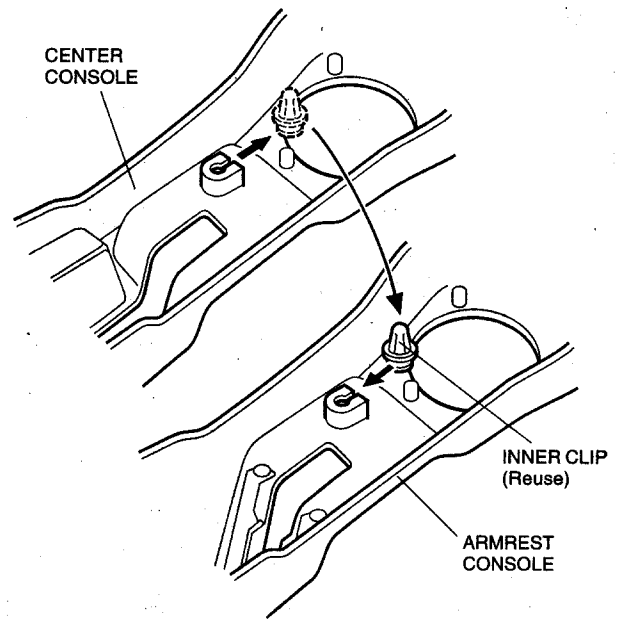
14. Inside the armrest console, position the small hole of the switch cover removed in step 9 over the boss, then install the two self-tapping screws retained.



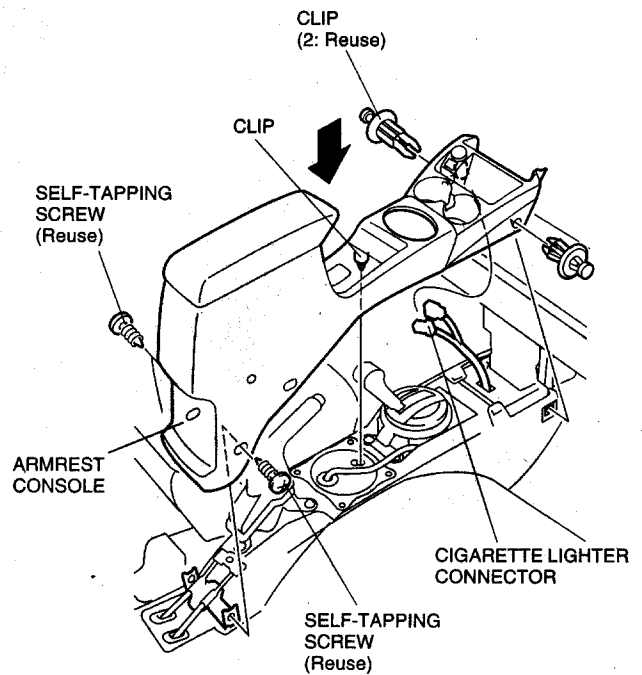
15. Position the lid on the armrest console and install the two self-tapping screws.



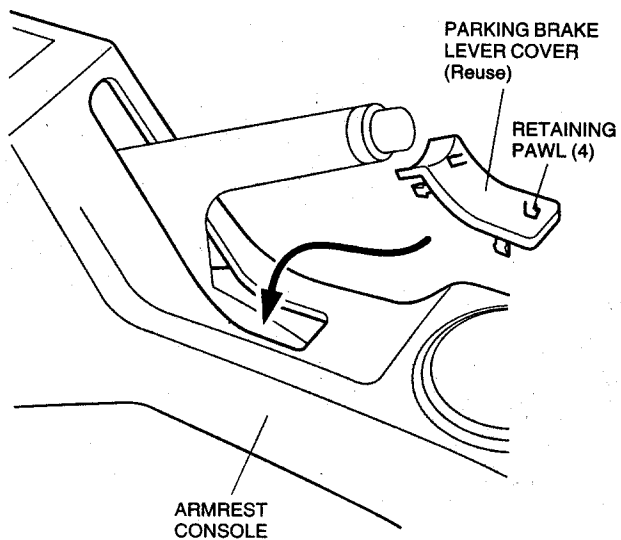
16. Inside the center console, remove the inner clip released in step 4, and reinstall it on the back of the armrest console.



17. Connect the cigarette lighter connectors to the cigarette lighter, then position the armrest console on the floor.
18. Push the inner clip into position in the hole in the floor by holding down on the armrest console.
19. Install the two self-tapping screws and two clips to secure the armrest console.



20. Reinstall the parking brake lever cover removed in step 1 on the armrest console.



21. On MT model, reinstall the shift knob removed in step 2.