

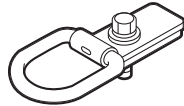


# INSTALLATION INSTRUCTIONS

<b>Accessory</b>  <b>TIE-DOWNS</b> P/N 08L96-T5A-100A	<b>Application</b>  2015 FIT	<b>Publications No.</b> All 51171
		<b>Issue Date</b> APR 2014

## PARTS LIST

- 2 Tie-downs



## TOOLS AND SUPPLIES REQUIRED

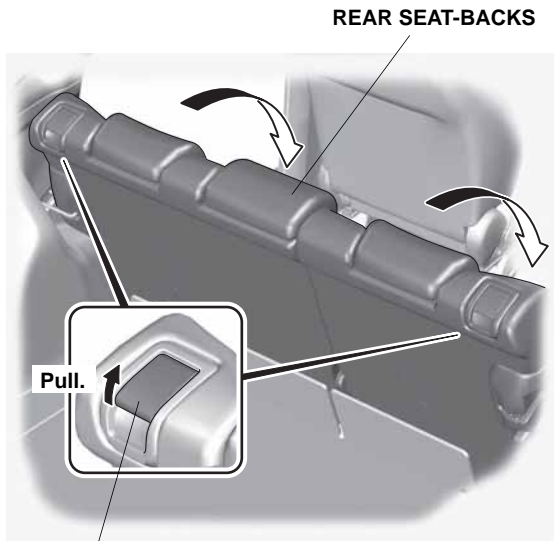
- Utility knife
- Ratchet
- 10 mm Socket
- Ruler
- Felt-tip pen
- Torque wrench

## INSTALLATION

**Customer Information:** The information in this installation instruction is intended for use only by skilled technicians who have the proper tools, equipment, and training to correctly and safely add equipment to your vehicle. These procedures should not be attempted by "do-it-yourselfers."

**NOTE:** Be careful not to damage the body.

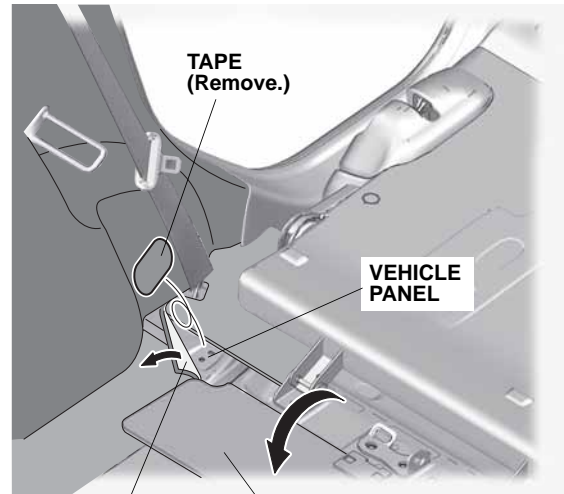
1. Pull both levers and fold each rear seat-back forward.



2 LEVERS

QC82710AK

2. Lift the cargo board and remove the tape attached to the vehicle panel.

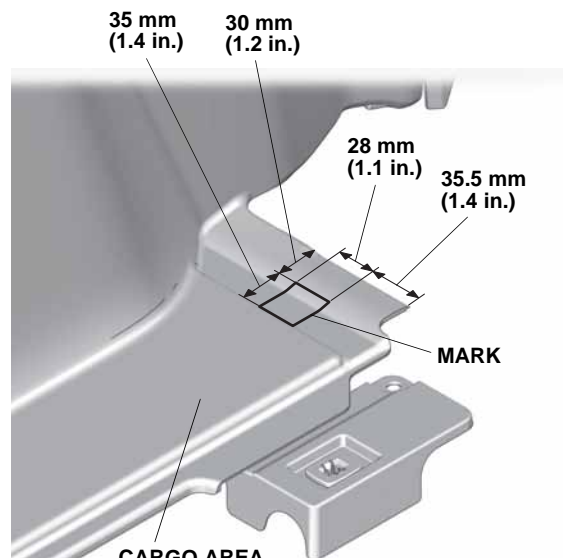


CARGO AREA LEFT SIDE TRIM PANEL (Lift.)

CARGO BOARD (Lift.)

QC82711AK

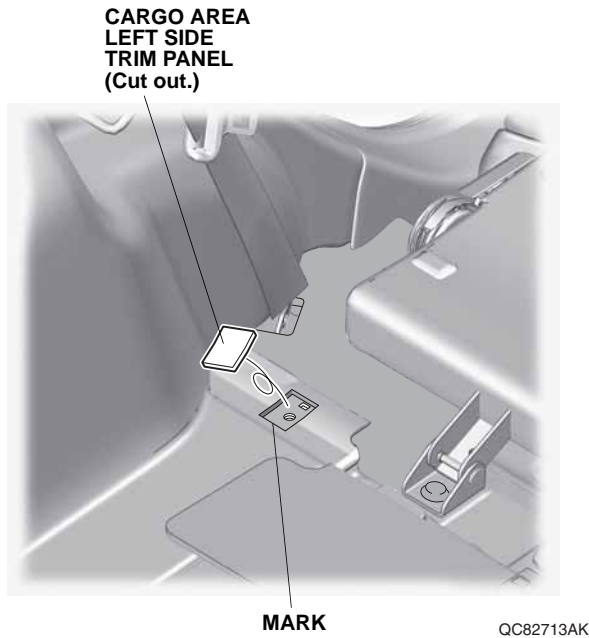
3. Put the cargo area left side trim panel down. Mark the cargo area left side trim panel at the measurements shown.



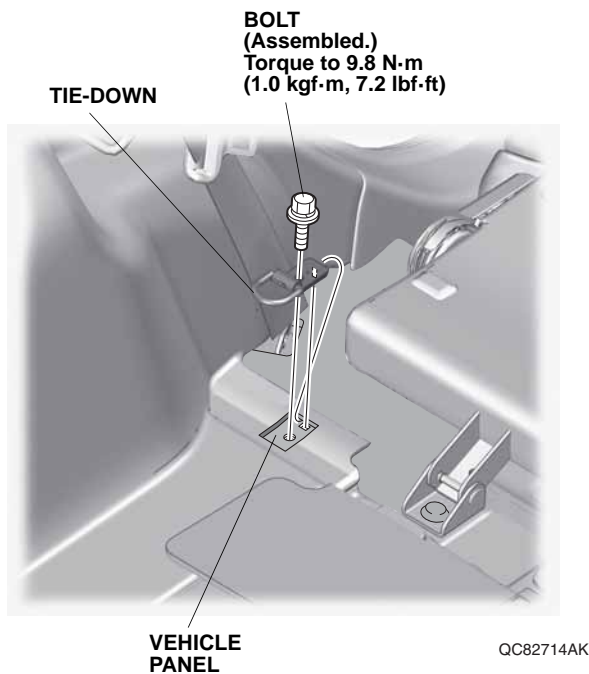
CARGO AREA LEFT SIDE TRIM PANEL

QC82712AK

4. Use a utility knife to cut out the cargo area left side trim panel as shown.



5. Install one tie-down using the bolt supplied. Torque the bolt to 9.8 N·m (1.0 kgf·m, 7.2 lbf·ft).



6. Repeat steps 2 through 5 to install a tie-down on the right side of the vehicle. Return the cargo board to the original position.