



INSTALLATION INSTRUCTIONS

Accessory

ARMREST CONSOLE
P/N 08U89-TK6-112

Application

2013 FIT

Publications No.

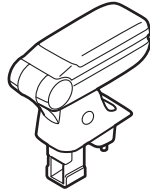
All 13199

Issue Date

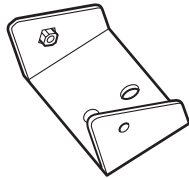
JULY 2012

PARTS LIST

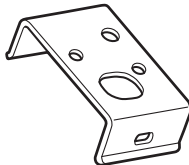
Armrest console



Floor bracket



Console bracket



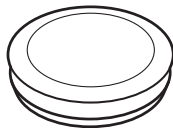
4 Washer bolts, 6 x 25 mm



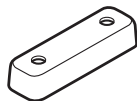
2 Self-tapping screws



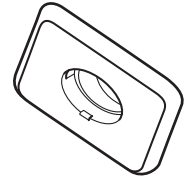
2 Center console bolt covers



Base spacer



Armrest cover



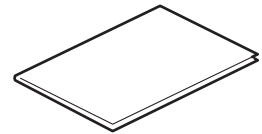
Bolt cover



Washer bolt, 10 x 30 mm



Owner's manual



TOOLS AND SUPPLIES REQUIRED

Flat-tip screwdriver

Pushpin

Drill

3 mm and 8 mm Drill bits

File

Phillips screwdriver

20 mm Hole saw

10 mm, 12 mm, and 14 mm Sockets

Ratchet

Clip remover

Eye protection (safety goggles, face shield, etc.)

10 mm Combination wrench

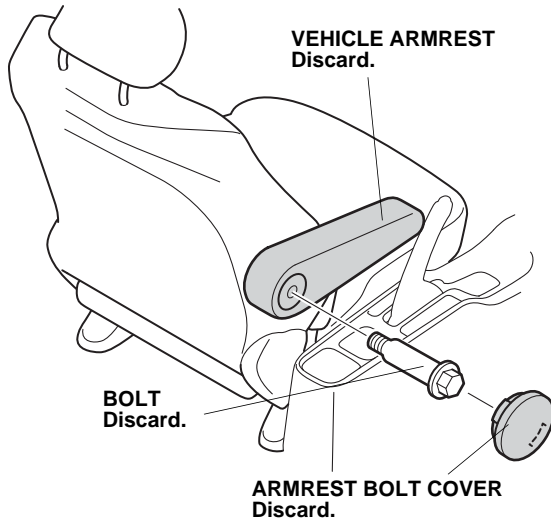
Torque wrench

INSTALLATION

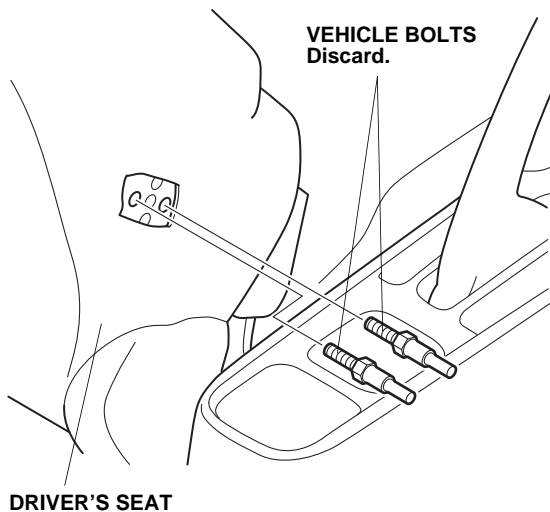
Customer Information: The information in this installation instruction is intended for use only by skilled technicians who have the proper tools, equipment, and training to correctly and safely add equipment to your vehicle. These procedures should not be attempted by “do-it-yourselfers.”

If the vehicle is equipped with an armrest, continue with step 1, if not, go to step 5.

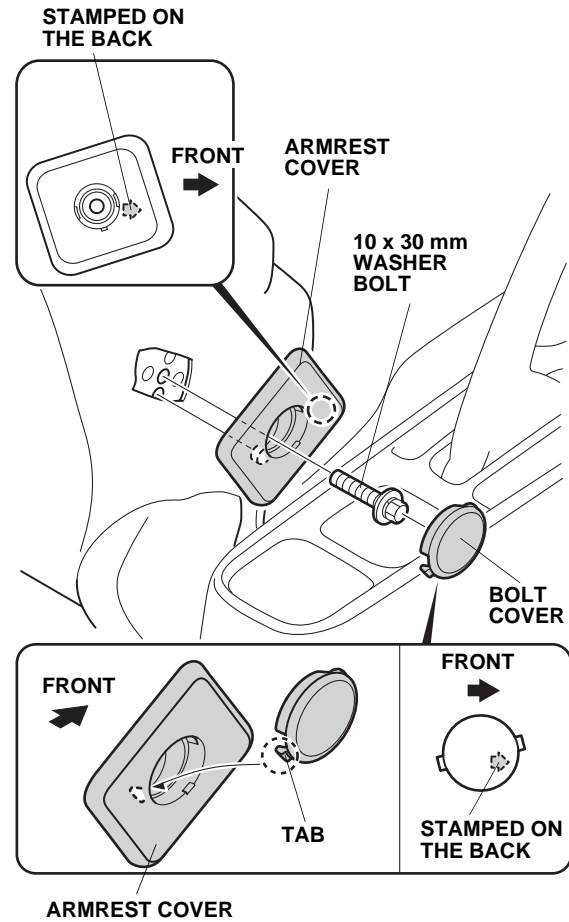
1. Remove the armrest bolt cover.



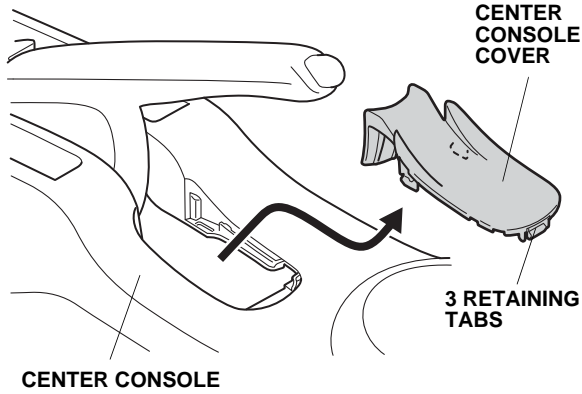
2. Remove the bolt to remove the armrest. Set the armrest aside, it will not be reused.
3. Remove and discard the two vehicle bolts.



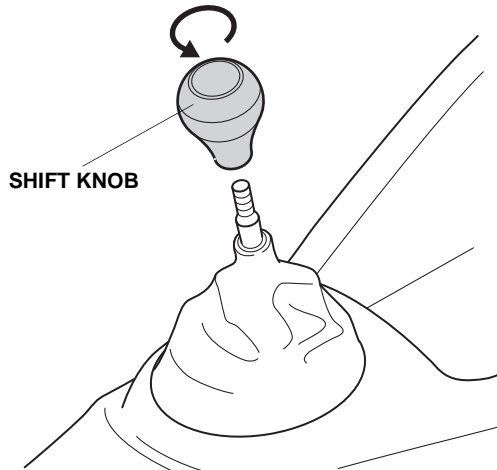
4. Place the new armrest cover on the seat and install the 10 x 30 mm washer bolt. Note the direction of the armrest cover. Install the bolt cover over the bolt; engage the back tab first.



5. Remove the center console cover (three retaining tabs).

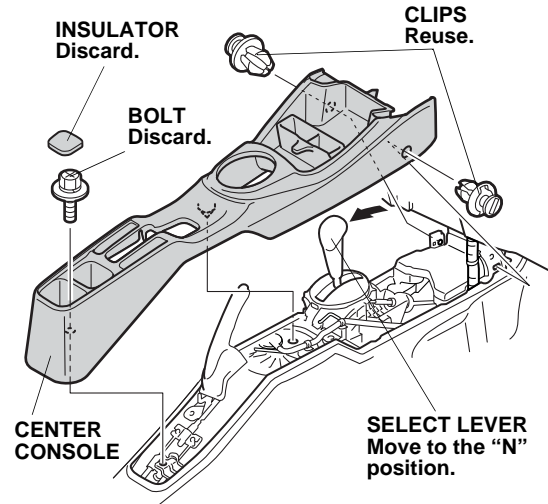


6. With M/T, remove the shift knob.

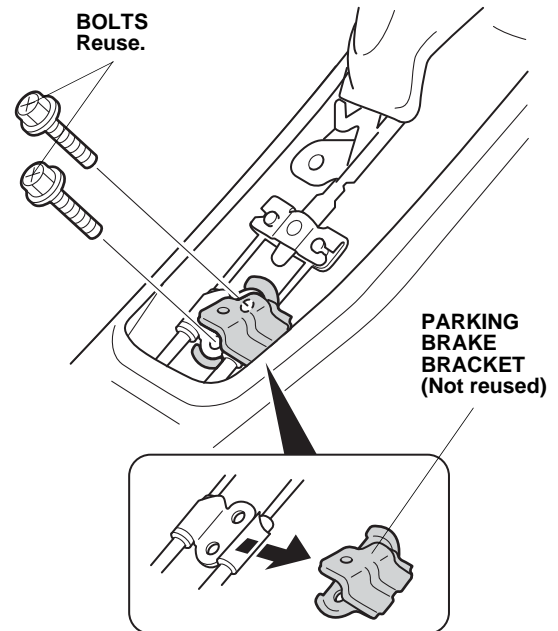


7. Remove the center console:

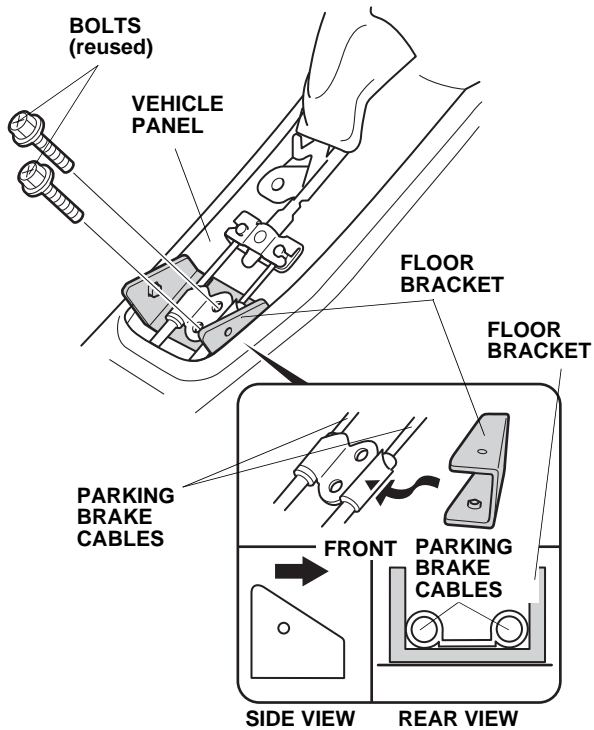
- Move the select lever to the "N" position.
- Remove the two front clips.
- Remove and discard the rear bolt insulator, and remove the bolt.
- Gently pull the center console back, and carefully remove it.



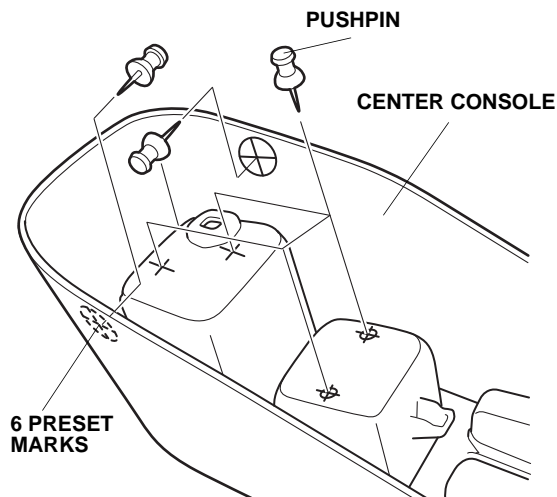
8. With the vehicle on level ground and the wheels blocked, release the parking brake. Remove the parking brake bracket (two bolts).



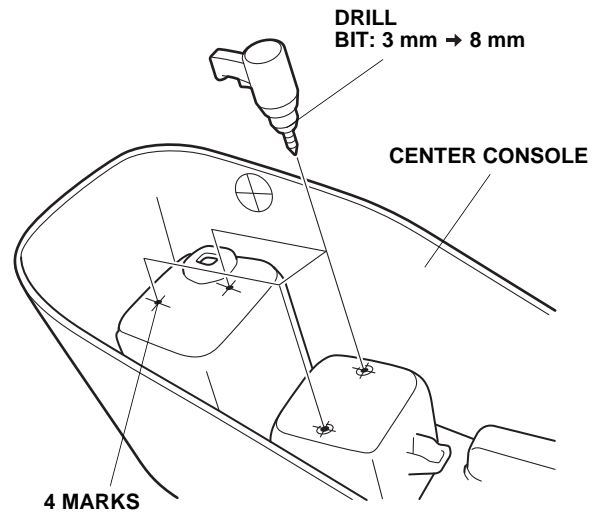
9. Install the floor bracket under the parking brake cables and reinstall the two bolts. Torque the bolts to 22 N·m (2.2 kgf·m, 16 lbf·ft).



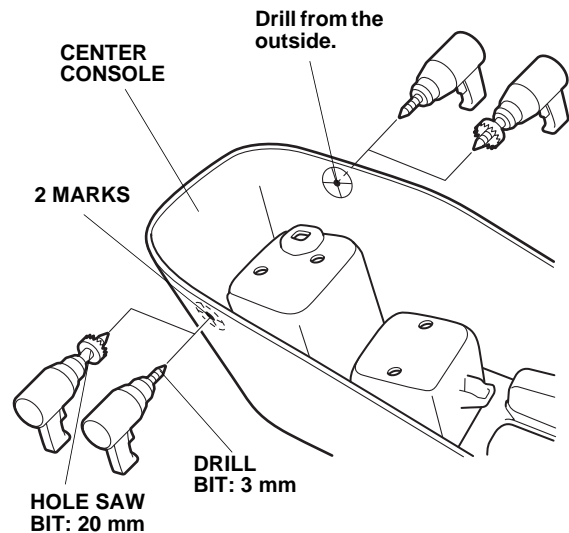
10. On the bottom of the center console, locate the six preset marks. Use a pushpin to pierce the center of each mark.



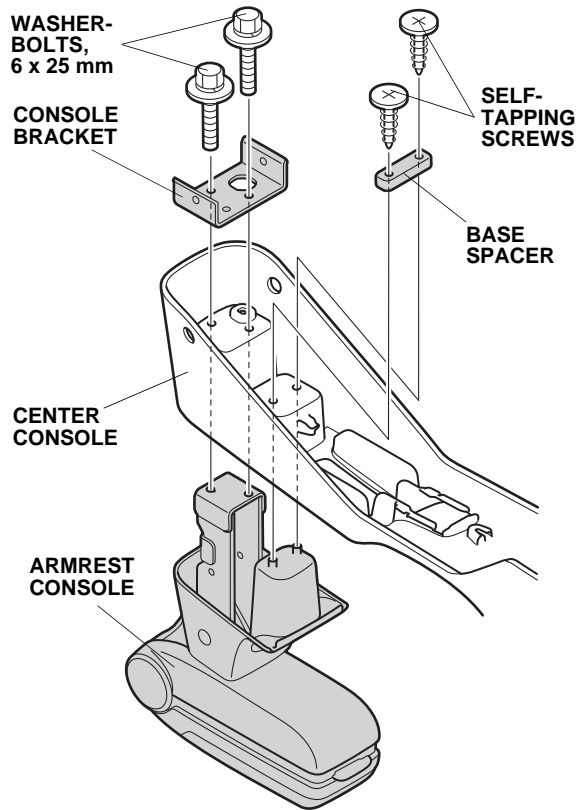
11. While wearing eye protection, drill the four pierced marks on the inside of the center console to 8 mm. First drill with a 3 mm drill bit, and finish with an 8 mm drill bit. Remove any burrs from the edges of the holes with a file.



12. While wearing eye protection, drill the two pierced marks on the sides of the center console to 20 mm. First drill with a 3 mm drill bit, and finish with a 20 mm hole saw. Remove any burrs from the edges of the holes with a file.

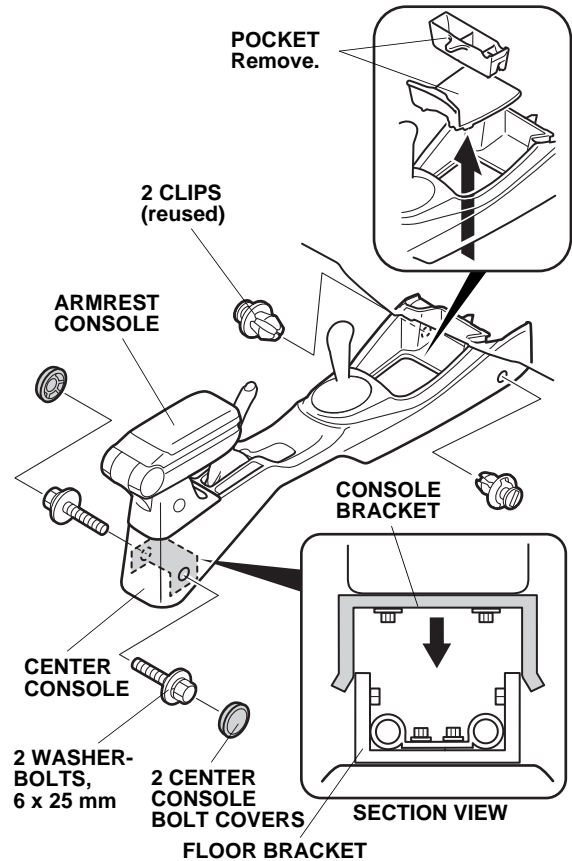


13. Install the armrest console to the center console using two 6 x 25 mm washer-bolts and the console bracket.



14. Install the base spacer to the armrest console using two self-tapping screws.

15. Remove the pocket from the center console.



16. Carefully reinstall the center console using the two clips removed in step 7 and two 6 x 25 mm washer-bolts from the kit.
17. Install one center console bolt cover on each side of the center console.
18. (M/T) Reinstall the shift knob.
19. Reinstall the center console cover and pocket.