



INSTALLATION INSTRUCTIONS

Accessory
SELECT KNOB
P/N 08U92-TK6-110A

Application
2012 FIT
(A/T)

Publications No.
All 46019

Issue Date
AUG 2011

PARTS LIST

Select knob



2 Screws



TOOLS AND SUPPLIES REQUIRED

Phillips screwdriver

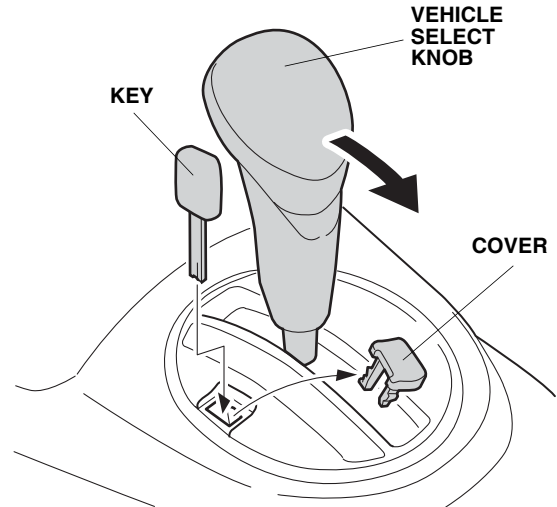
Small flat-tip screwdriver

Torque screwdriver (T/N: CDI 401 SM)

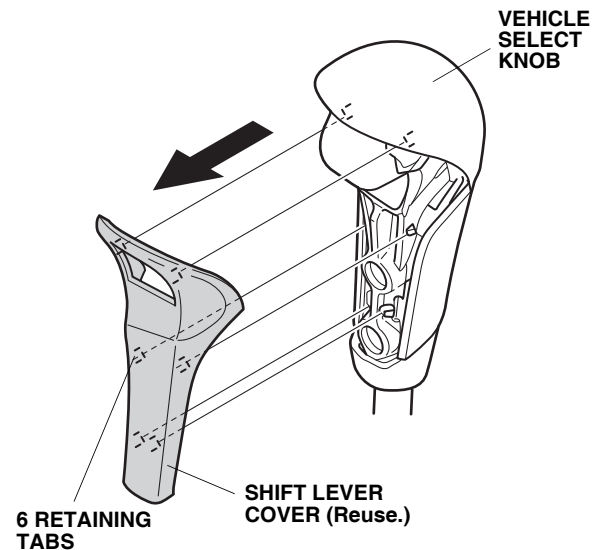
(Available through the American Honda Tool and Equipment Program; call 888-424-6857.)

INSTALLATION

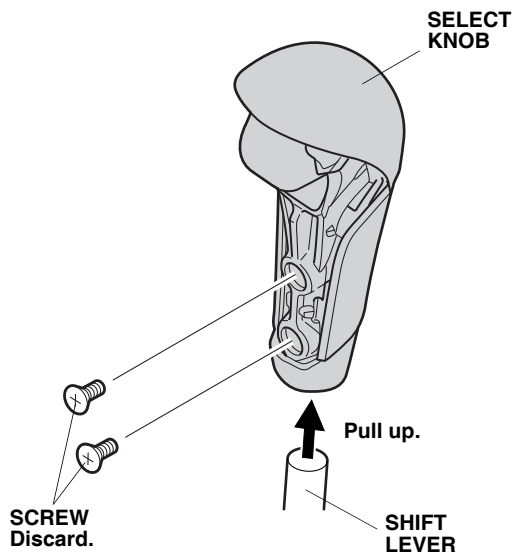
1. Apply the parking brake.
2. Remove the cover. Insert the key into the opening, push on the key, and move the select knob to the S position.



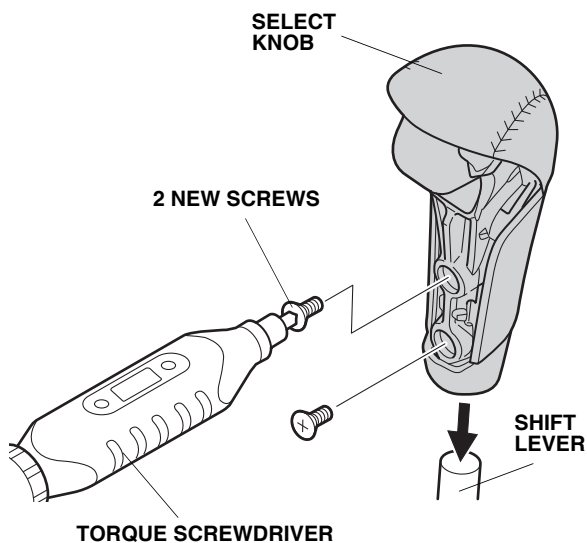
3. Pry out on the shift lever cover to remove the cover (six retaining tabs).



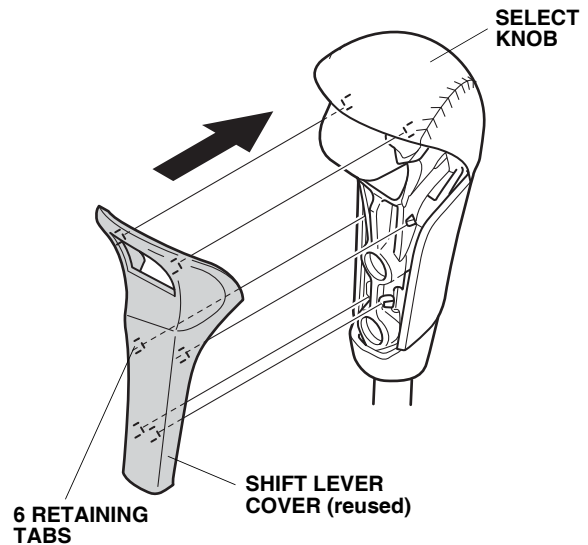
- Remove and discard the two screws from the select knob and remove the select knob by pulling it up. Set the knob aside, it will not be reused.



- Install the select knob using the two new screws. Using a Torque screwdriver, torque the screws to 1.57 N·m (1.12 lbf·ft). Do not overtighten the screws.



- Reinstall the shift lever cover to the select knob.



- Move the select knob to the P position and reinstall the cover.

USE AND CARE

- Use a sponge or cloth and a solution of mild liquid dishwashing soap and water to clean the select knob.
- Rinse the knob completely with water, then dry it with a shop towel.
- Never use organic solvents such as benzene, thinner, or gasoline to clean the select knob.