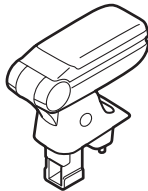

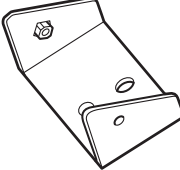

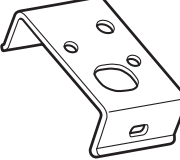
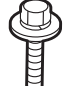

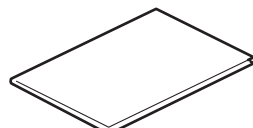

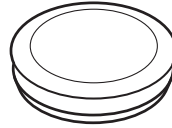
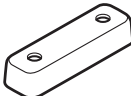




## INSTALLATION INSTRUCTIONS

Accessory	Application	Publications No.
ARMREST CONSOLE P/N 08U89-TK6-111	2012 FIT	All 45981
		Issue Date AUG 2011

### PARTS LIST

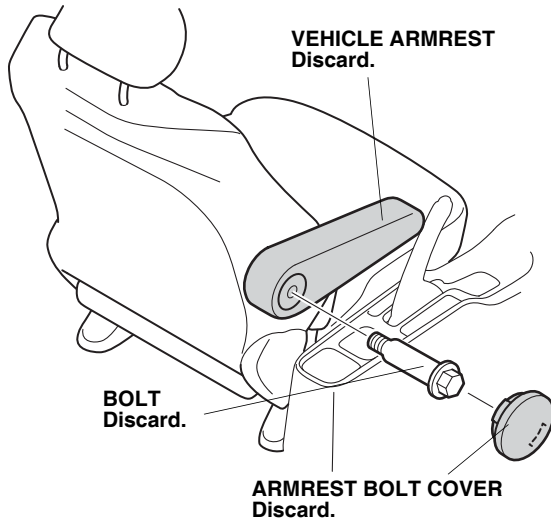
Armrest console		Armrest cover	
Floor bracket		Bolt cover	
Console bracket		Washer bolt, 10 x 30 mm	
4 Washer bolts, 6 x 25 mm		Owner's manual	
2 Self-tapping screws		<b>TOOLS AND SUPPLIES REQUIRED</b>	
2 Center console bolt covers		Flat-tip screwdriver	
Base spacer		Pushpin	
		Drill	
		3 mm and 8 mm Drill bits	
		File	
		Phillips screwdriver	
		20 mm Hole saw	
		10 mm, 12 mm, and 14 mm Sockets	
		Ratchet	
		Clip remover	
		Eye protection (safety goggles, face shield, etc.)	
		10 mm Combination wrench	
		Torque wrench	

## INSTALLATION

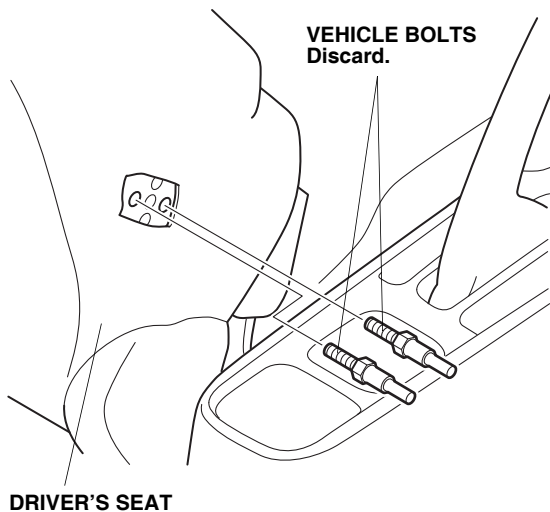
**Customer Information:** The information in this installation instruction is intended for use only by skilled technicians who have the proper tools, equipment, and training to correctly and safely add equipment to your vehicle. These procedures should not be attempted by “do-it-yourselfers.”

If the vehicle is equipped with an armrest, continue with step 1, otherwise go to step 5.

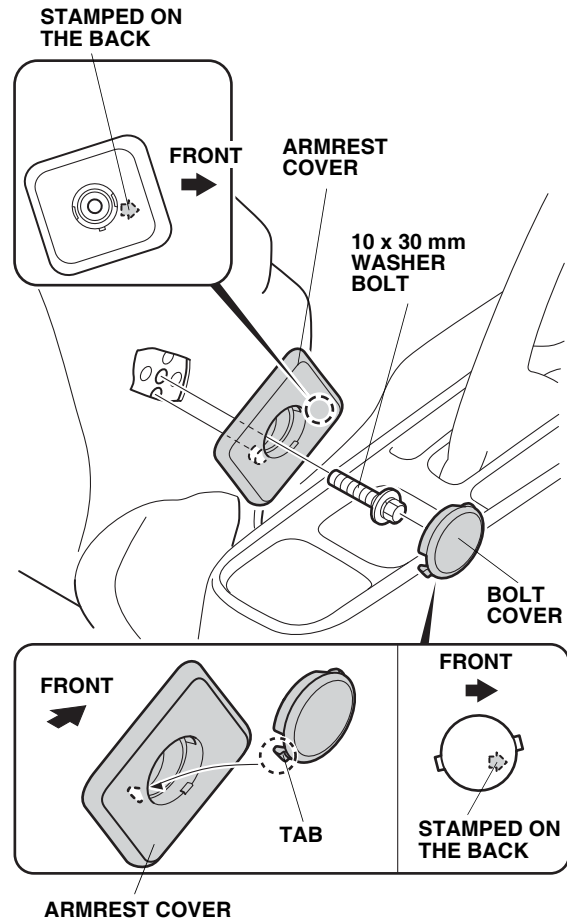
1. Remove the armrest bolt cover.



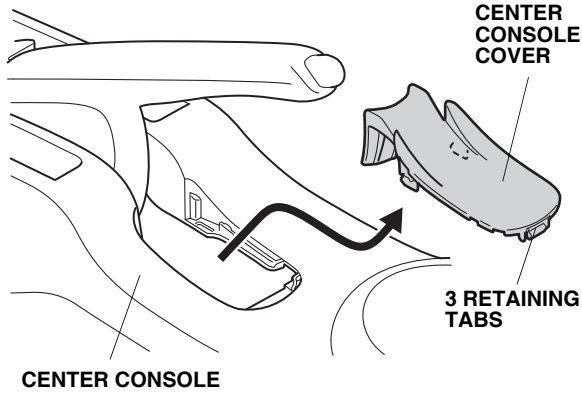
2. Remove the bolt to remove the armrest. Set the armrest aside, it will not be reused.
3. Remove and discard the two vehicle bolts.



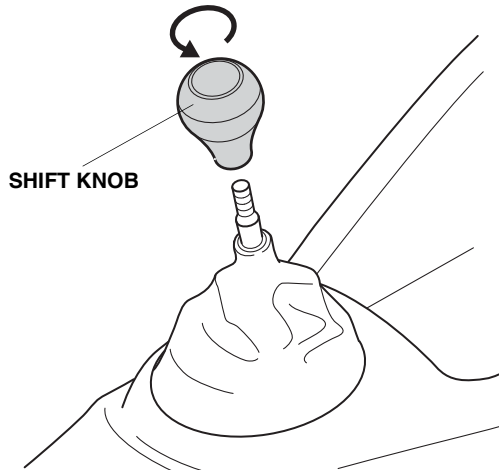
4. Place the new armrest cover on the seat and install the 10 x 30 mm washer bolt. Note the direction of the armrest cover. Install the bolt cover over the bolt; engage the back tab first.



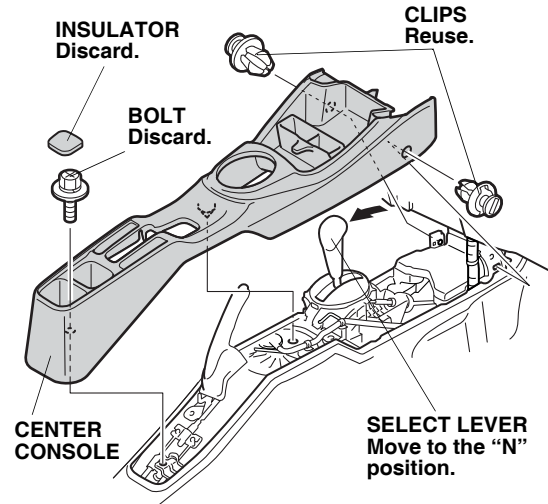
5. Remove the center console cover (three retaining tabs).



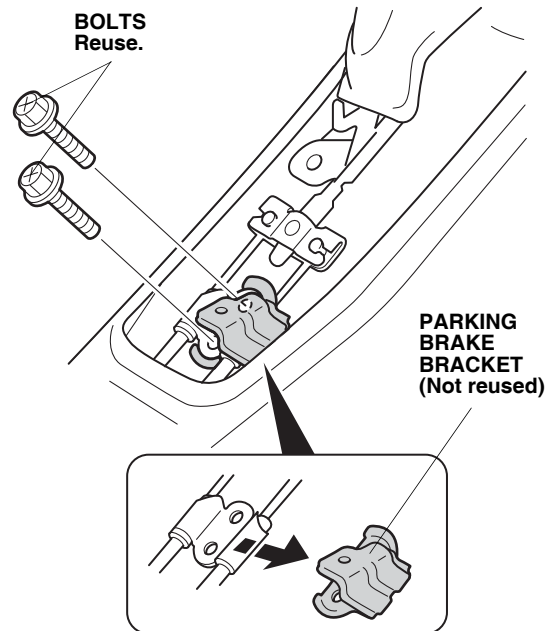
6. With M/T, remove the shift knob.



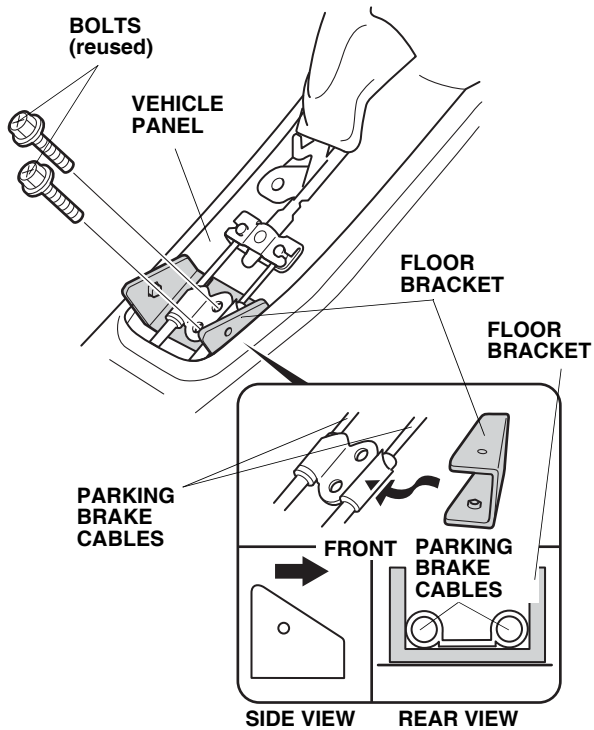
7. Remove the center console:
- Move the select lever to the "N" position.
  - Remove the two front clips.
  - Remove and discard the rear bolt insulator, and remove the bolt.
  - Gently pull the center console back, and carefully remove it.



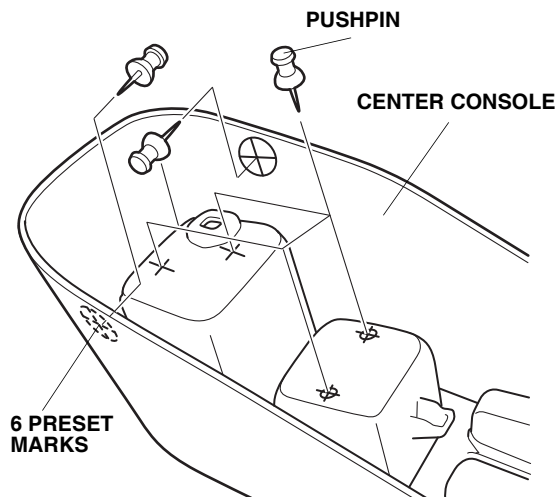
8. With the vehicle on level ground and the wheels blocked, release the parking brake. Remove the parking brake bracket (two bolts).



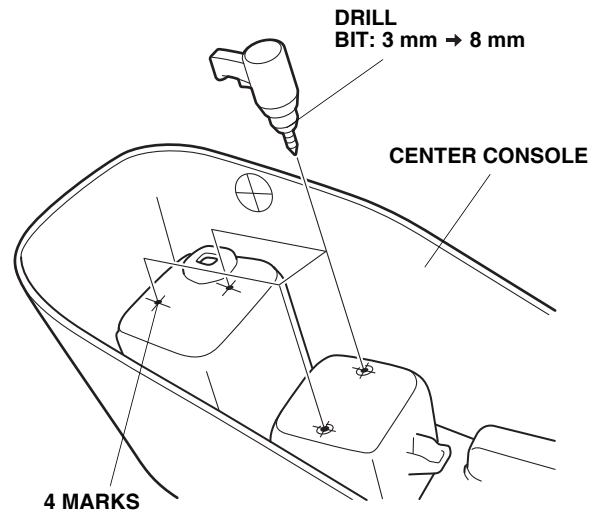
9. Install the floor bracket under the parking brake cables and reinstall the two bolts. Torque the bolts to 22 N·m (2.2 kgf·m, 16 lbf·ft).



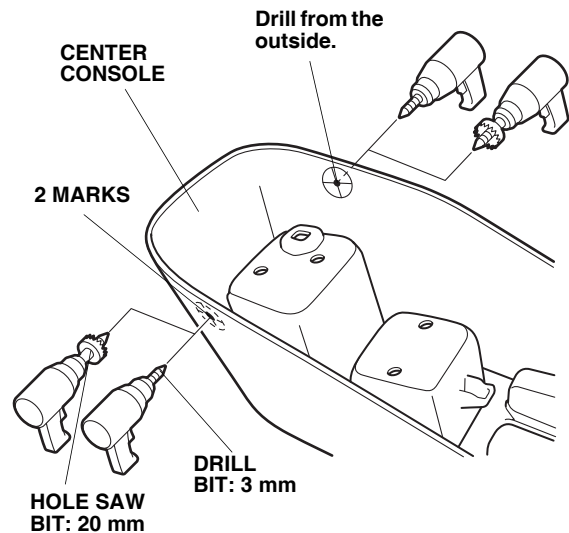
10. On the bottom of the center console, locate the six preset marks. Use a pushpin to pierce the center of each mark.



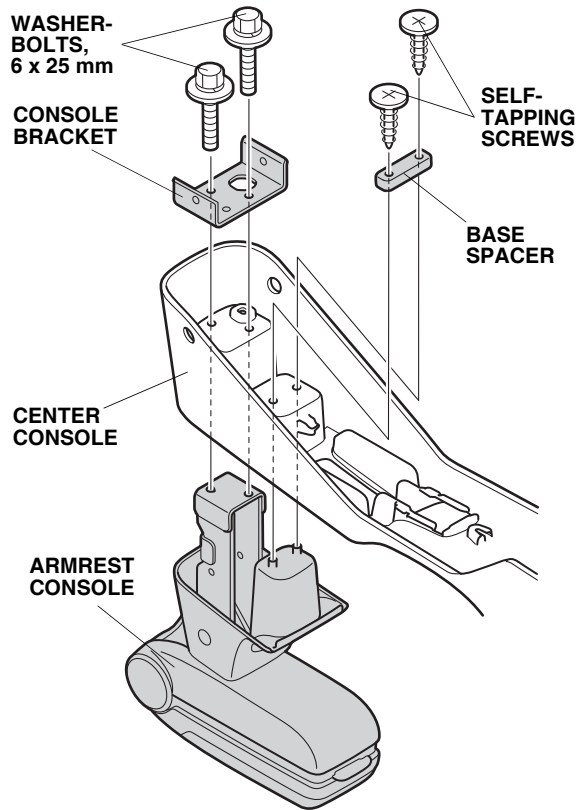
11. While wearing eye protection, drill the four pierced marks on the inside of the center console to 8 mm. First drill with a 3 mm drill bit, and finish with an 8 mm drill bit. Remove any burrs from the edges of the holes with a file.



12. While wearing eye protection, drill the two pierced marks on the sides of the center console to 20 mm. First drill with a 3 mm drill bit, and finish with a 20 mm hole saw. Remove any burrs from the edges of the holes with a file.

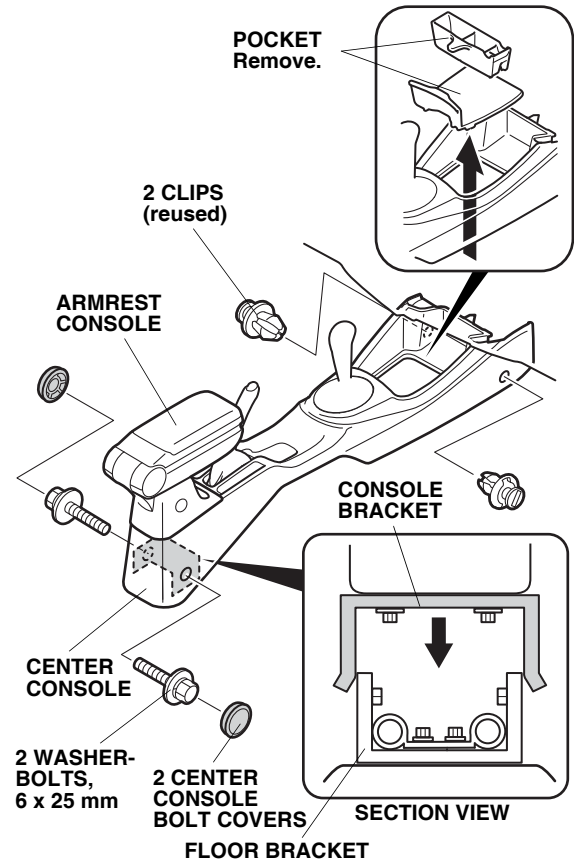


13. Install the armrest console to the center console using two 6 x 25 mm washer-bolts and the console bracket.



14. Install the base spacer to the armrest console using two self-tapping screws.

15. Remove the pocket from the center console.



16. Carefully reinstall the center console using the two clips removed in step 7 and two 6 x 25 mm washer-bolts from the kit.
17. Install one center console bolt cover on each side of the center console.
18. (M/T) Reinstall the shift knob.
19. Reinstall the center console cover and pocket.