



INSTALLATION INSTRUCTIONS

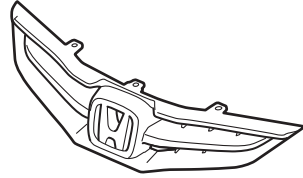
Accessory
FRONT GRILLE
P/N 08F21-TK6-100

Application
2011 FIT

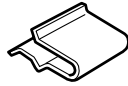
Publications No.
All 45093
Issue Date
NOV 2010

PARTS LIST

Front grille



4 Clips

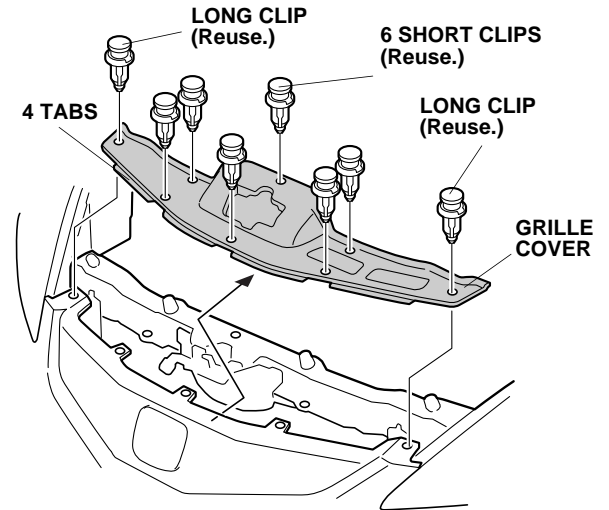


TOOLS AND SUPPLIES REQUIRED

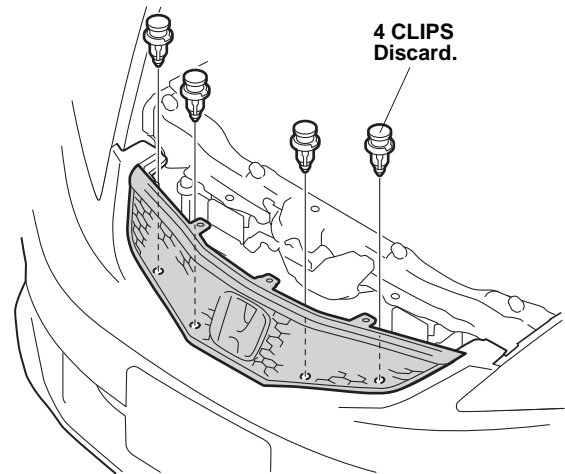
Stubby Phillips screwdriver
Flat-tip screwdriver
Utility knife
Clip remover
Torque wrench

INSTALLATION

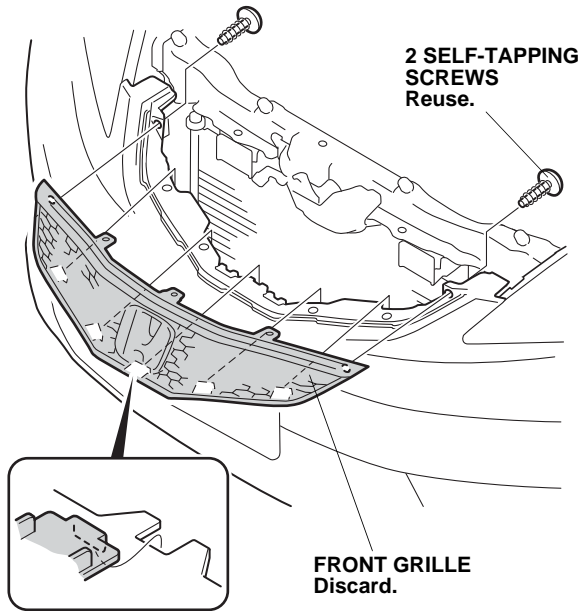
1. Remove the grille cover (eight clips and four tabs).



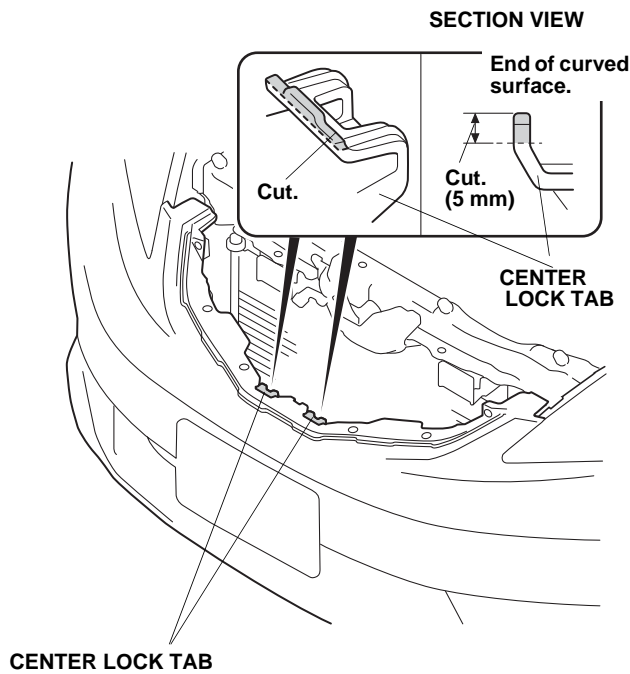
2. Remove and discard the four grille clips.



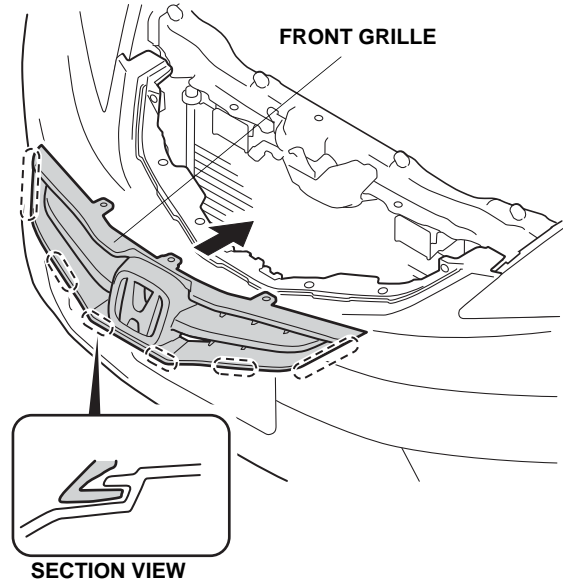
3. Remove the front grille (two self-tapping screws). Set the grille aside; it will not be reused.



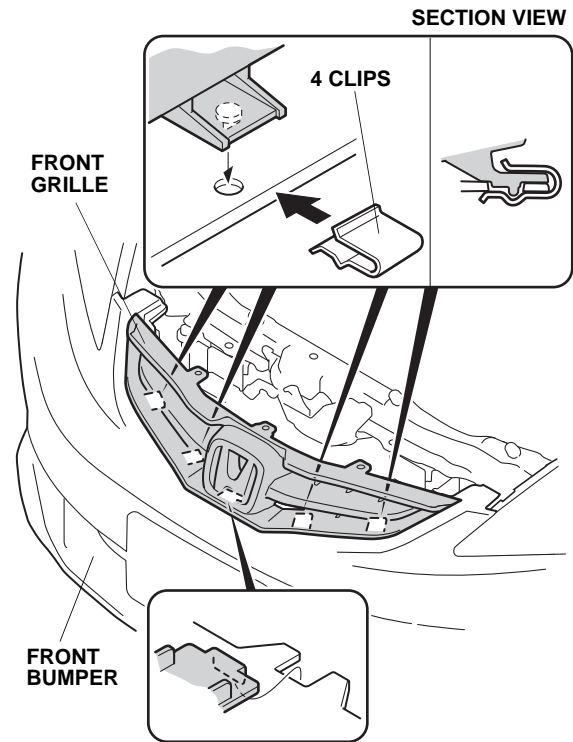
4. Using a utility knife, cut 5 mm from the top of the two center lock tabs as shown. If you do not cut the center lock tabs, the bumper cannot be removed because the tabs cannot release.



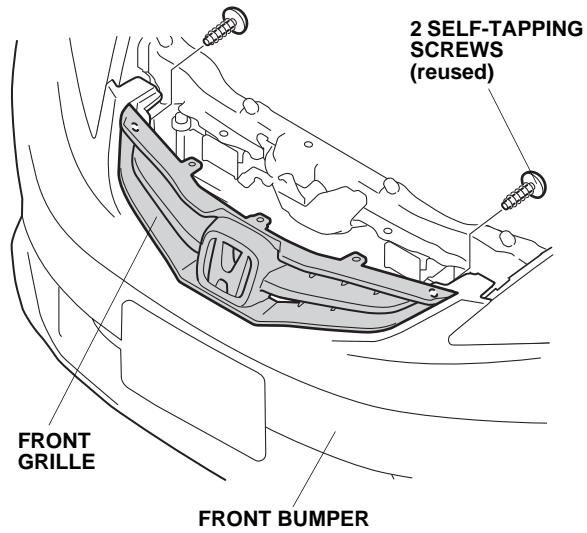
5. Install the new front grille to the front bumper.



6. Install the four clips to the grille and the front bumper.



7. Secure the front grille to the front bumper with the two self-tapping screws (reused). Torque the screws to 2 N·m (0.4 lb-ft).



8. Reinstall the grille cover.