



**INSTALLATION  
INSTRUCTIONS**

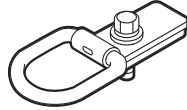
Accessory  
**TIE-DOWNS**  
P/N 08L96-TK6-100A

Application  
**2010 FIT  
(BASE MODEL)**

Publications No.  
**All 42218**  
Issue Date  
**AUG 2009**

**PARTS LIST**

- 2 Tie-downs

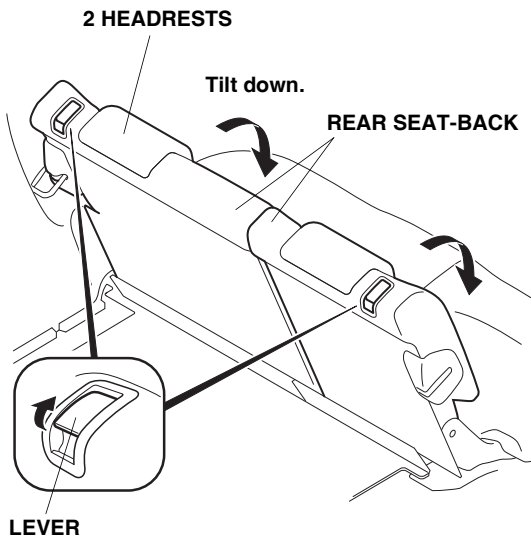


**TOOLS AND SUPPLIES REQUIRED**

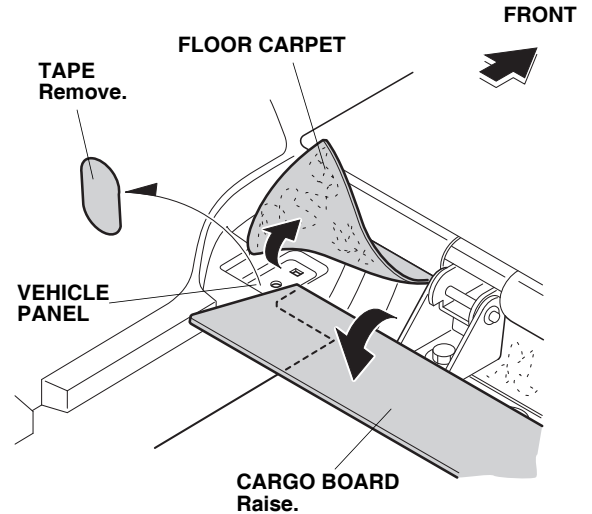
- Utility knife
- Ratchet
- 10 mm Socket

**INSTALLATION**

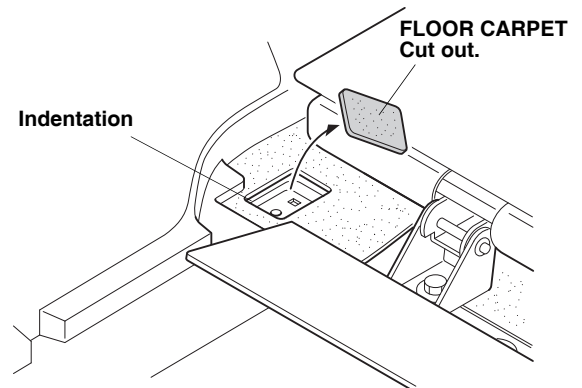
1. Pull the lever and tilt the rear seat-back forward. Be sure the headrests are stored.



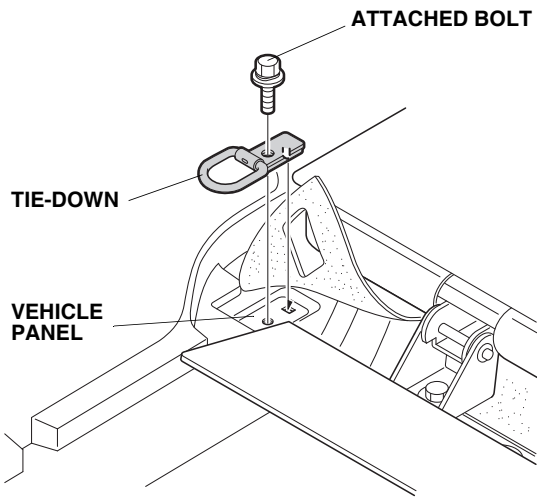
2. Raise the cargo board and fold back the floor carpet.



3. Remove the tape attached to the vehicle panel.
4. Put the carpet down. Use a utility knife to cut out a rectangular piece of carpet above the indentation in the floor.



5. Fold back the carpet, and install one tie-down using the attached bolt.



6. Repeat steps 2 through 5 to install a tie-down on the right side of the vehicle.
7. Reinstall the floor carpet and return the cargo board to its original position.

