



# INSTALLATION INSTRUCTIONS

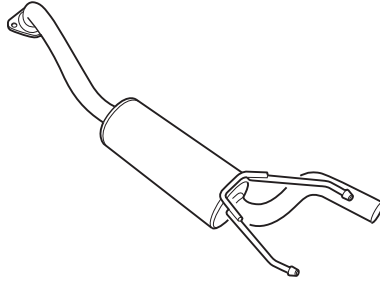
Accessory  
**SPORT MUFFLER WITH MUGEN REAR UNDER SPOILER**  
 P/N 18000-XTK-900

Application  
**2010 FIT MUGEN**

Publications No.  
**All 42204**  
 Issue Date  
**JULY 2009**

## PARTS LIST

Muffler



Gasket



2 Flange nuts



## TOOLS AND SUPPLIES REQUIRED

Ratchet

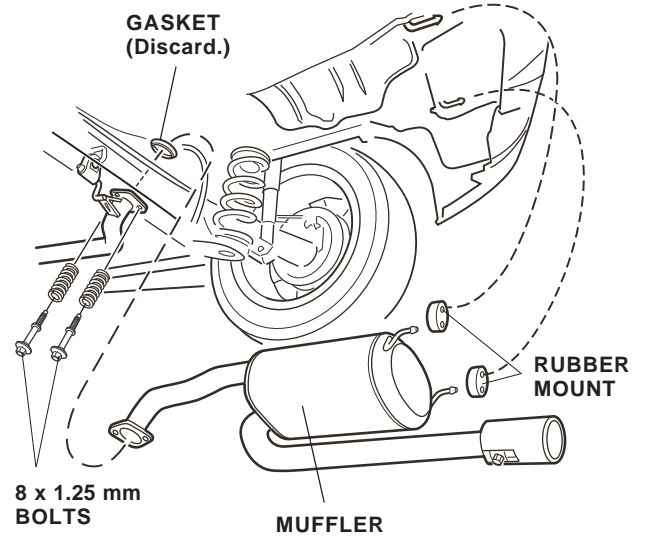
13 mm socket

**Customer information:** The information in this installation instruction is intended for use only by skilled technicians who have the proper tools, equipment, and training to correctly and safely add equipment to your vehicle. These procedures should not be attempted by "do-it-yourselfers."

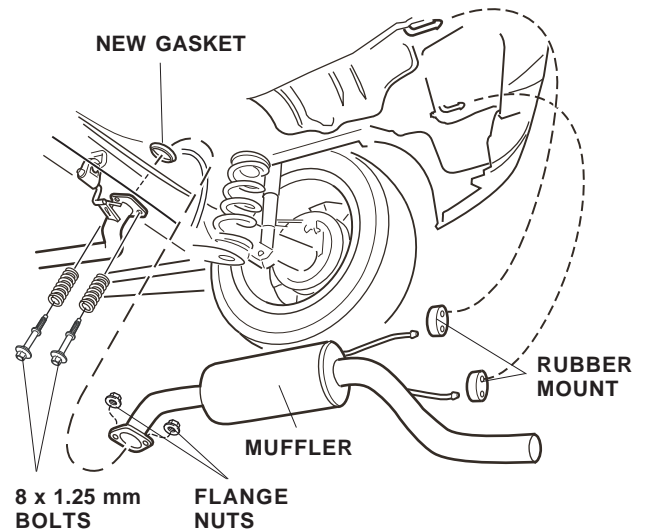
**NOTE:** Allow the exhaust system to cool down before installing this accessory.

## INSTALLATION

1. With the vehicle on a lift, remove the two 8 x 1.25 mm bolts with springs, then remove the muffler from the rubber mounts. Remove the muffler.



2. Remove and discard the old exhaust gasket, and install the new exhaust gasket from the kit.



3. Install the new muffler using the two 8 x 1.25 mm bolts and springs removed from step 1, and the two flange nuts supplied. Reinstall the muffler to the rubber muffler mounts.
4. Torque the bolts to 22 N·m (16 lb-ft), alternating from side to side.