



**INSTALLATION  
INSTRUCTIONS**

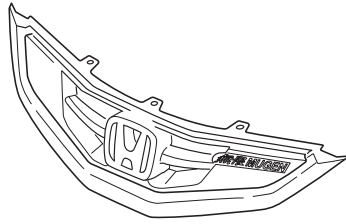
Accessory  
**FRONT GRILLE**

Application  
**2010 FIT MUGEN**

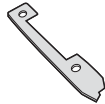
Publications No.  
**All 42192**  
Issue Date  
**JULY 2009**

**PARTS LIST**

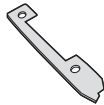
Front grille



Right film



Left film



4 Rubber Spacers



Alcohol wipe



**TOOLS AND SUPPLIES REQUIRED**

Stubby Phillips screwdriver

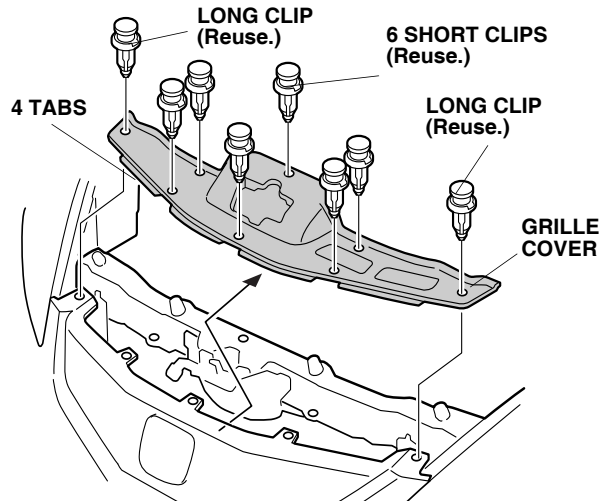
Flat-tip screwdriver

Utility knife

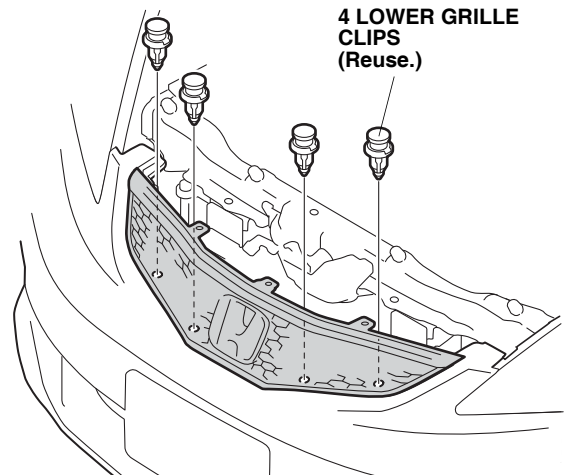
Clip remover

**INSTALLATION**

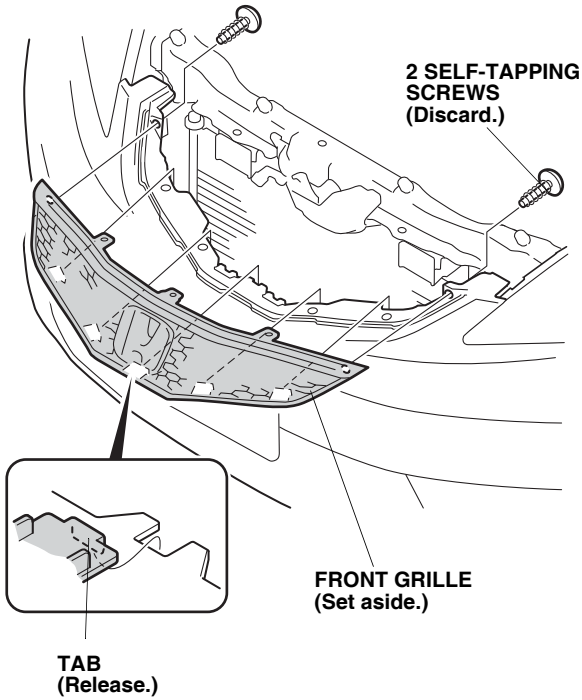
1. Remove the grille cover (eight clips and four tabs).



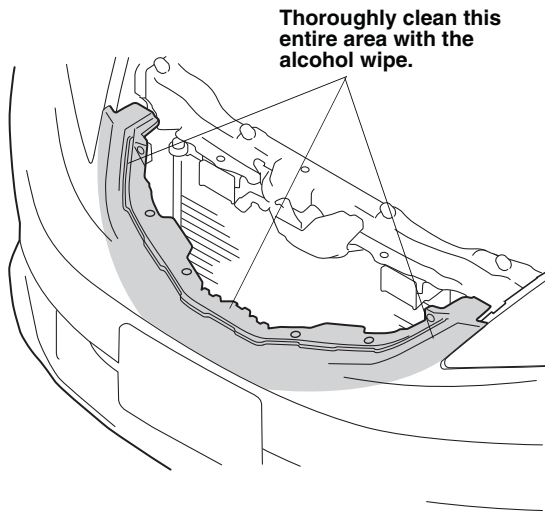
2. Remove the four lower grille clips.



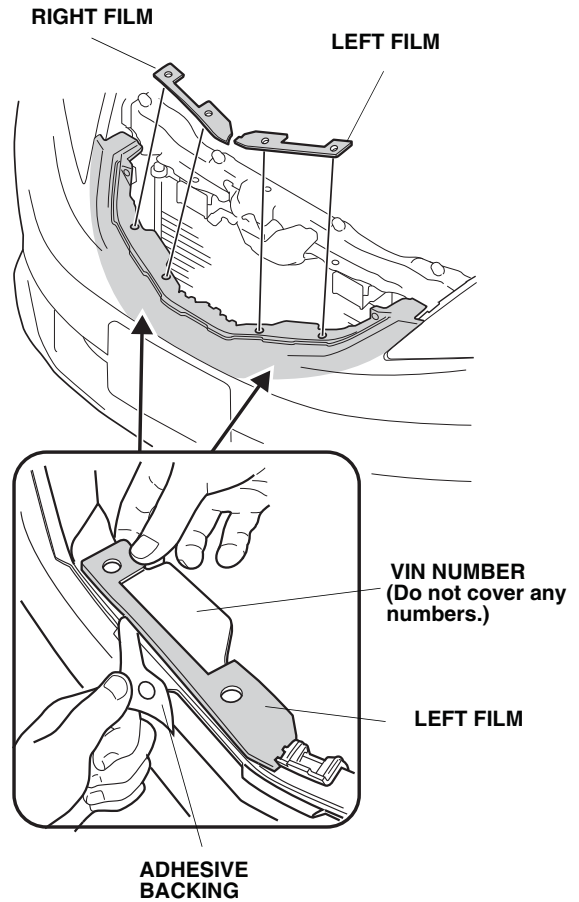
3. Remove the front grille (two self-tapping screws and release the center tab). Set the grille aside; it will not be reused.



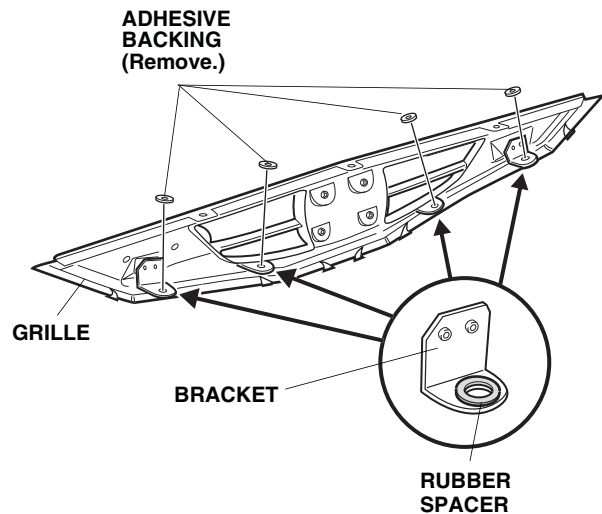
4. Using the isopropyl alcohol wipe supplied, clean the front bumper in the area shown. Allow the alcohol to dry.



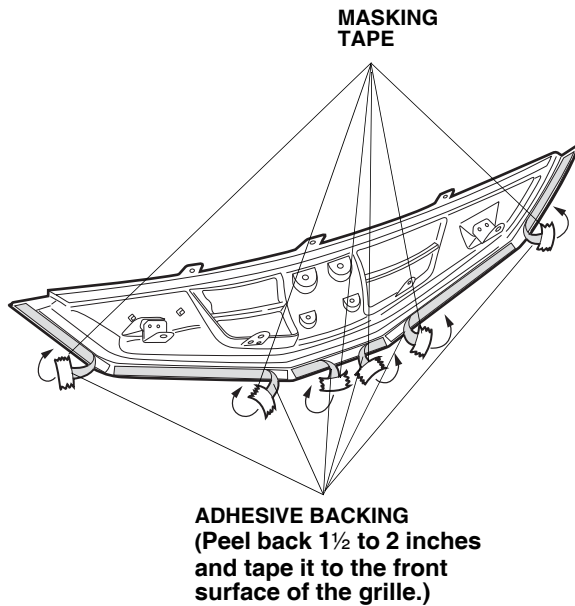
5. Remove the adhesive backing and attach the right and left film to the bumper as indicated. Be sure not to cover the VIN number.



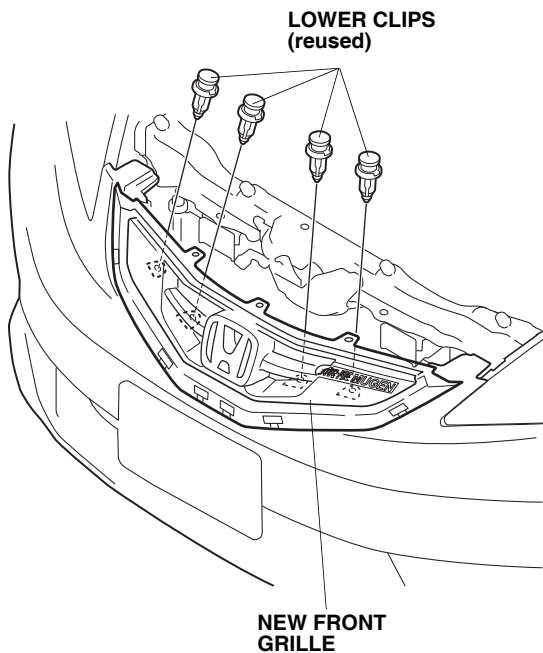
6. Remove the adhesive backing and attach one rubber spacer to the top of each bracket.



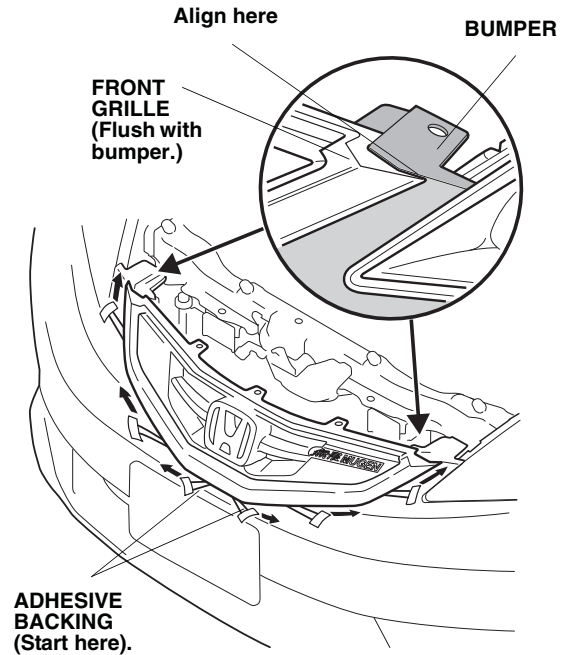
- Attach a strip of masking tape to the end of each adhesive backing, and peel back 1½ to 2 inches of the adhesive backing. Fold the ends back, and tape them to the front of the grille.



- Align the top corners of the new grille with the top edge of the bumper, and insert the four lower clips removed in step 2. Don't secure the clips at this time.



- When you are satisfied that the edge of the grille is flush with the top of the bumper, slowly and carefully remove each adhesive backing, starting from the middle, and working outward. Apply pressure to the grille while removing each adhesive backing. Keep checking that the grille is flush with the bumper and adjust as necessary.



- Secure the front grille to the front bumper with the four clips installed in step 8.
- Reinstall the front grille cover.

