



# INSTALLATION INSTRUCTIONS

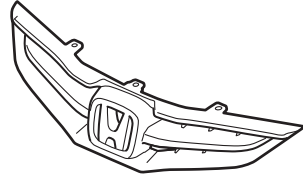
Accessory  
**FRONT GRILLE**  
P/N 08F21-TK6-100

Application  
**2010 FIT**

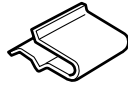
Publications No.  
**All 42187**  
Issue Date  
**AUG 2009**

## PARTS LIST

Front grille



4 Clips

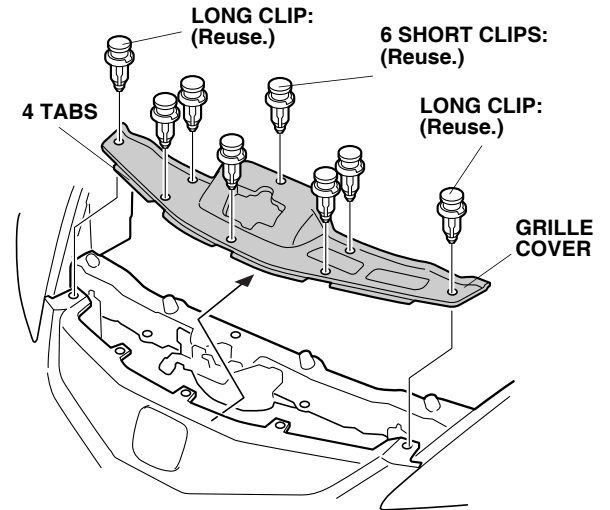


## TOOLS AND SUPPLIES REQUIRED

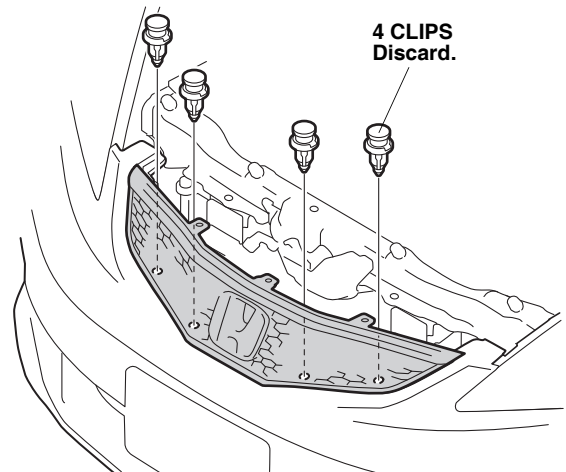
- Stubby Phillips screwdriver
- Flat-tip screwdriver
- Utility knife
- Clip remover
- Torque wrench

## INSTALLATION

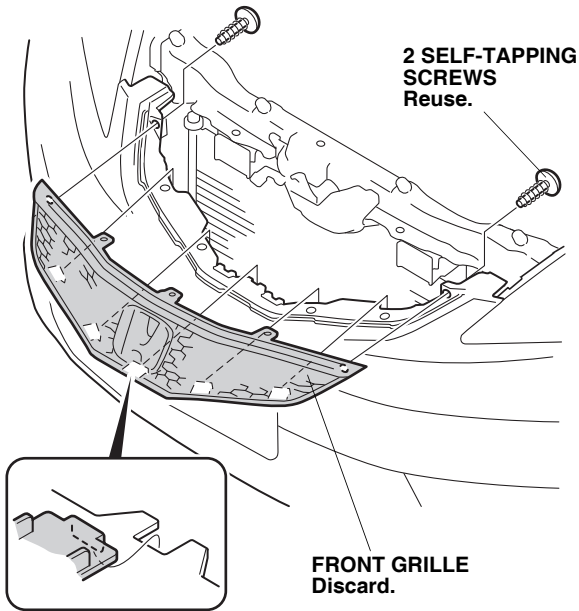
1. Remove the grille cover (eight clips and four tabs).



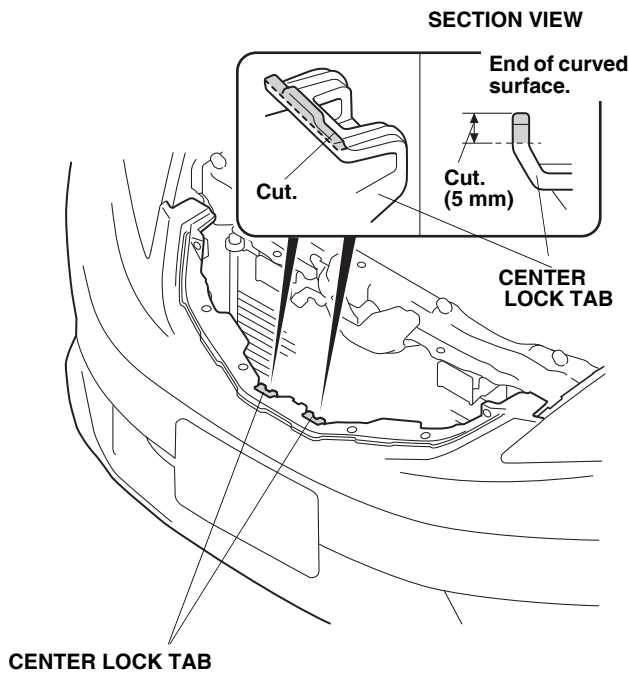
2. Remove and discard the four grille clips.



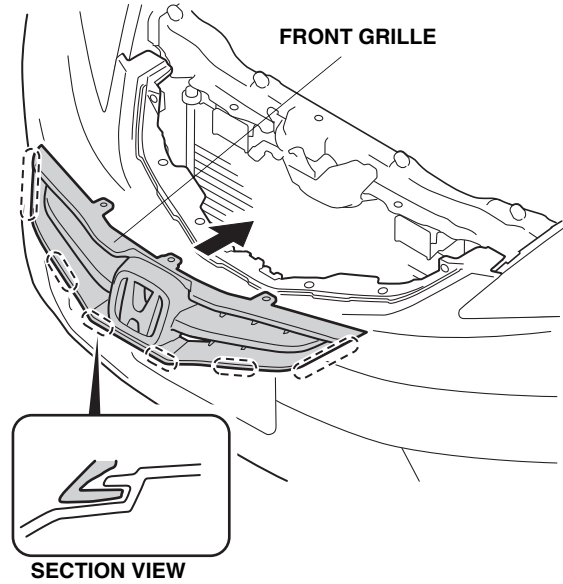
3. Remove the front grille (two self-tapping screws). Set the grille aside; it will not be reused.



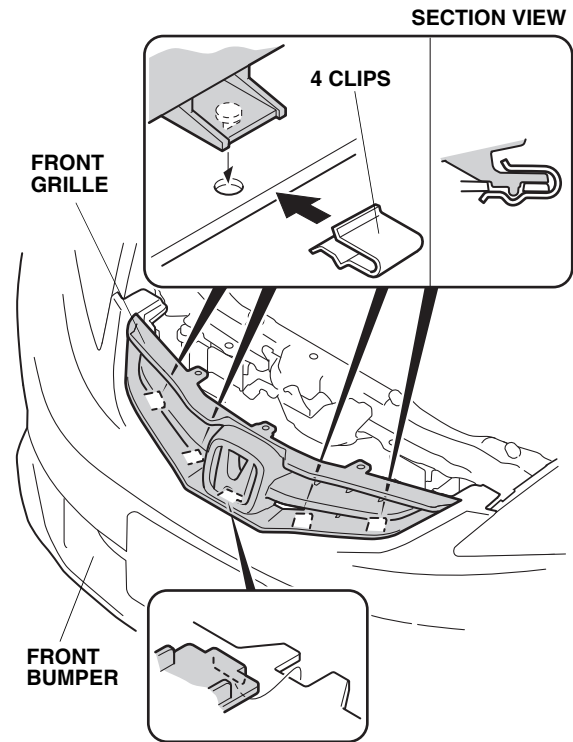
4. Using a utility knife, cut 5 mm from the top of the two center lock tabs as shown. If you do not cut the center lock tabs, the bumper cannot be removed because the tabs cannot release.



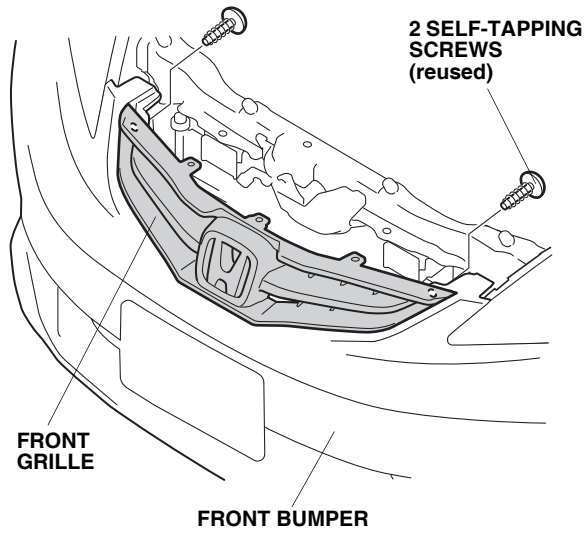
5. Install the new front grille to the front bumper.



6. Install the four clips to the front bumper.



7. Secure the front grille to the front bumper with the two self-tapping screws (reused). Torque the screws to 2 N·m (0.4 lb-ft).



8. Reinstall the grille cover.