



**INSTALLATION  
INSTRUCTIONS**

Accessory

**ARMREST CONSOLE  
P/N 08U89-TK6-100**

Application

**2010 FIT**

Publications No.

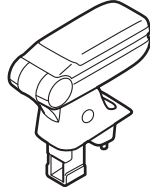
**All 42174**

Issue Date

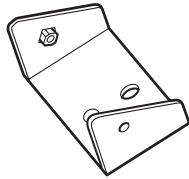
**AUG 2009**

**PARTS LIST**

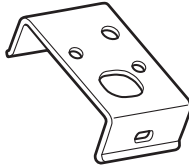
Armrest console



Floor bracket



Console bracket



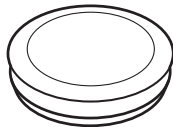
4 Washer bolts, 6 x 25 mm



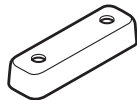
2 Self-tapping screws



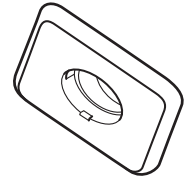
2 Center console bolt covers



Base spacer



Armrest cover



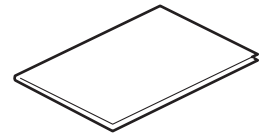
Bolt cover



Washer bolt, 10 x 30 mm



Owner's manual



**TOOLS AND SUPPLIES REQUIRED**

Flat-tip screwdriver

Pushpin

Drill

3 mm and 8 mm Drill bits

File

Phillips screwdriver

20 mm Hole saw

10 mm, 12 mm and 14 mm Sockets

Ratchet

Clip remover

Eye protection (safety goggles, face shield, etc.)

10 mm Combination wrench

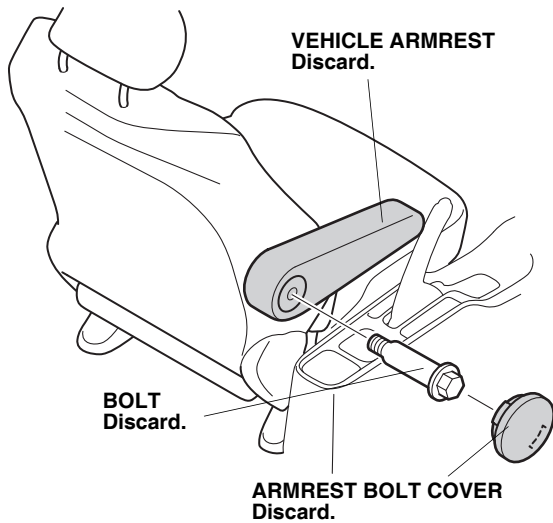
Torque wrench

## INSTALLATION

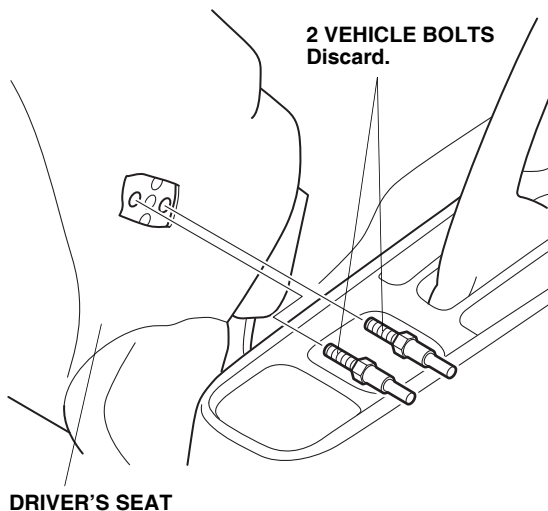
**Customer Information:** The information in this installation instruction is intended for use only by skilled technicians who have the proper tools, equipment, and training to correctly and safely add equipment to your vehicle. These procedures should not be attempted by “do-it-yourselfers.”

If the vehicle is equipped with an armrest, continue with step 1, otherwise go to step 5.

1. Remove the armrest bolt cover.



2. Remove the bolt to remove the armrest. Set the armrest aside, it will not be reused.
3. Remove and discard the two vehicle bolts.



4. Place the new armrest cover on the seat and install the 10 x 30 mm washer bolt. Note the direction of the armrest cover. Install the bolt cover over the bolt; engage the back tab first.

