

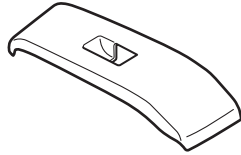


INSTALLATION INSTRUCTIONS

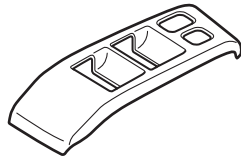
Accessory DOOR SWITCH TRIM P/N 08Z03-TK6-100B	Application 2009 FIT	Publications No. All 39860
		Issue Date AUG 2008

PARTS LIST

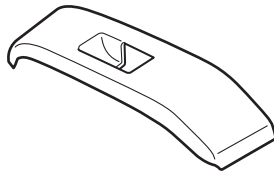
Right front door switch trim



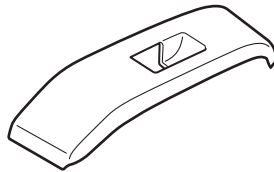
Left front door switch trim



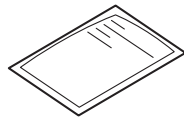
Right rear door switch trim



Left rear door switch trim



2 Alcohol swabs



TOOLS AND SUPPLIES REQUIRED

Masking tape

INSTALLATION

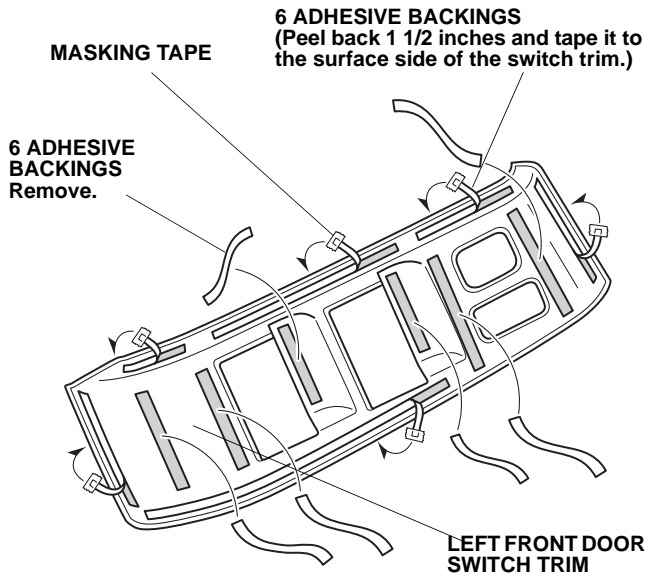
NOTE:

- The door switch trim should only be installed if the ambient air temperature is 15°C (60°F) or above.
- These installation instructions show the left door switch trim being installed. The same procedure applies to installing the right door switch trim.

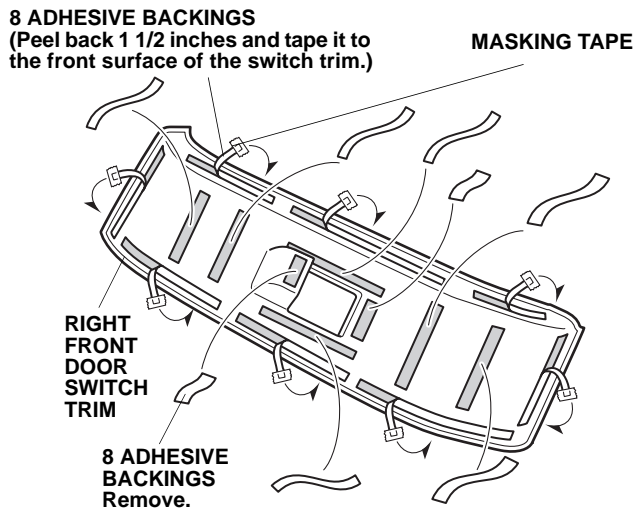
Installing the Front Door Switch Trim

1. Peel back approximately 1 1/2 inches of the adhesive backing from each outer adhesive tape, and tape the ends to the front surface of the switch trim. Remove the remaining adhesive backings.

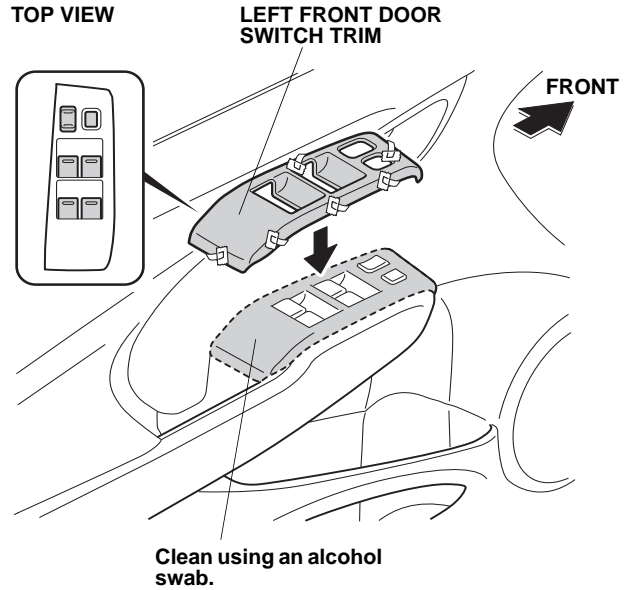
Left Side



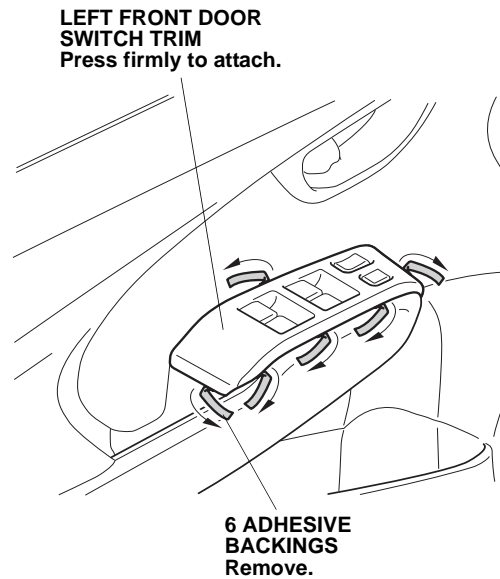
Right Side



2. Check the surface where the left front door switch panel will be installed, and clean the surface using an alcohol swab.



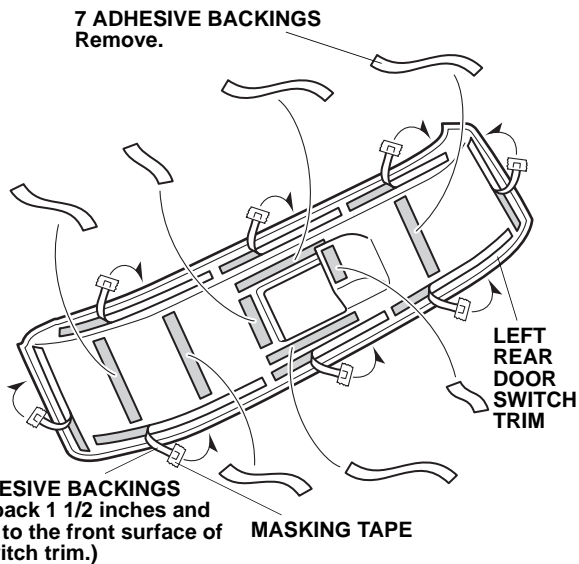
3. Attach the left front door switch trim to the door switch as shown.
4. While pressing on the door switch trim, carefully remove the adhesive backings. Press and hold the door switch trim firmly with the palm of your hand, especially at the corners, for 30 seconds.



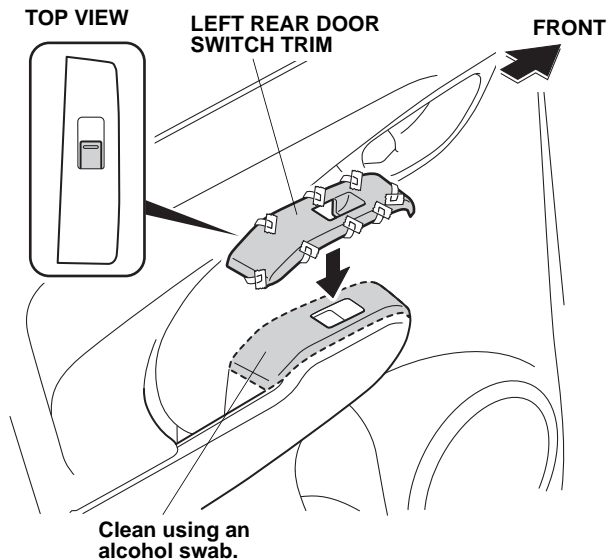
5. Repeat steps 1 thru 4 to install the right front door switch trim.

Installing the Rear Door Switch Trim

6. Peel back approximately 1 1/2 inches of adhesive backing from each adhesive tape, and tape the ends to the front surface of the switch trim. Remove the remaining adhesive backings.

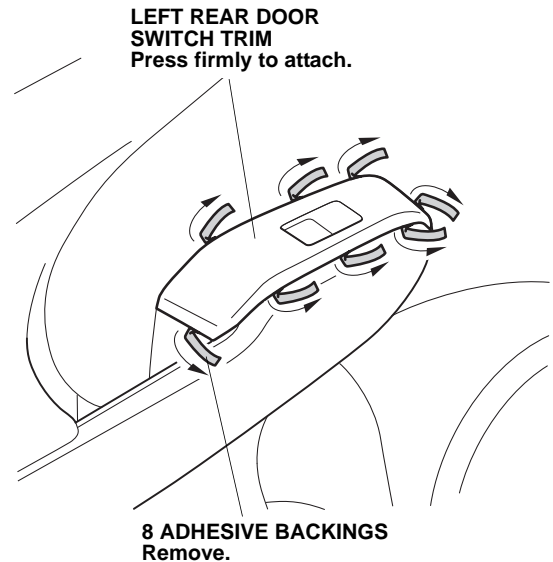


7. Check the surface where the left rear door switch trim will be installed and clean the surface using an alcohol swab.



8. Attach the left rear door switch trim to the door switch shown.

9. While pressing on the door switch trim, carefully remove the adhesive backings. Press and hold the door switch trim firmly with the palm of your hand, especially at the corners, for 30 seconds.



10. Repeat steps 6 thru 9 to install the right rear door switch panels.