

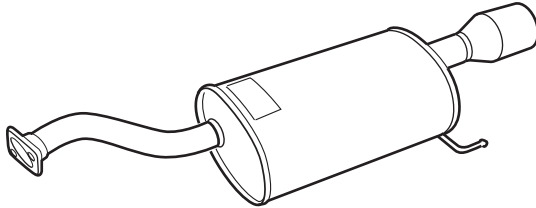


# INSTALLATION INSTRUCTIONS

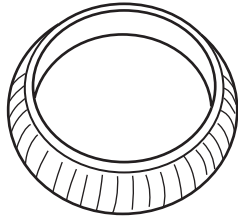
Accessory <b>SPORT MUFFLER</b>	Application <b>2008 FIT (M/T ONLY)</b>	Publications No. <b>All 37490</b>
		Issue Date <b>JUL 2007</b>

## PARTS LIST

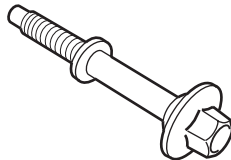
Muffler



Gasket



2 Self-tightening bolts



## TOOLS AND SUPPLIES REQUIRED

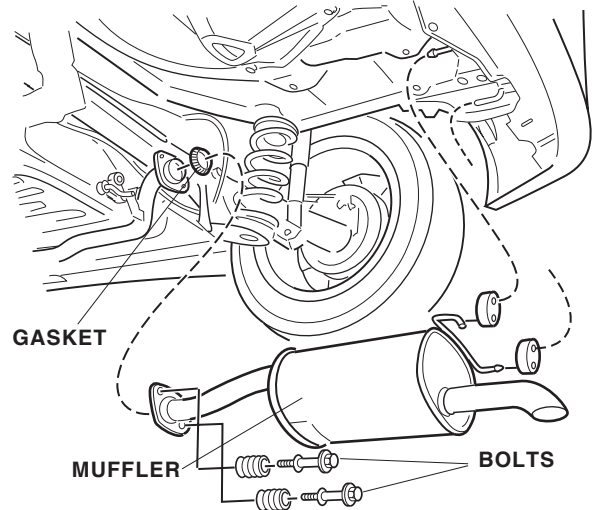
Ratchet

13 mm socket

**Customer Information:** The information in this installation instruction is intended for use only by skilled technicians who have the proper tools, equipment, and training to correctly and safely add equipment to your car. These procedures should not be attempted by “do-it-yourselfers.”

## REMOVAL

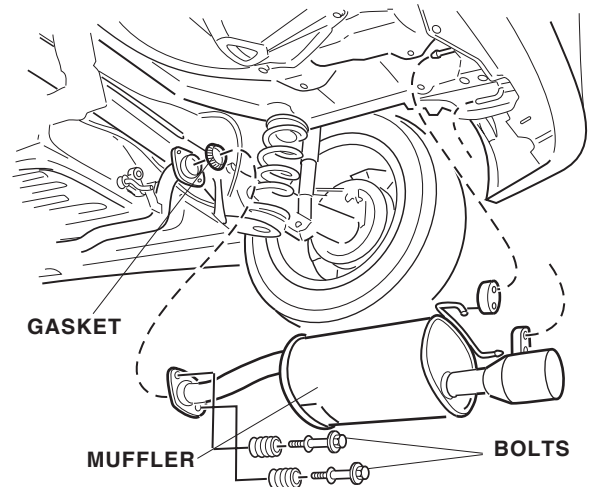
1. With the vehicle on a lift. Remove the two 8 x 1.25 mm bolts with springs and the muffler from the rubber mounts, then remove the muffler.



2. Remove the old exhaust gasket, and replace it with the new exhaust gasket from the kit.

## INSTALLATION

3. Install the new Sport Muffler using the two new 8 x 1.25 mm bolts and springs removed from step 2. Reinstall the muffler to the rubber muffler mounts.



4. Torque the bolts to 22 N·m (16 lb-ft) alternating from side to side.