



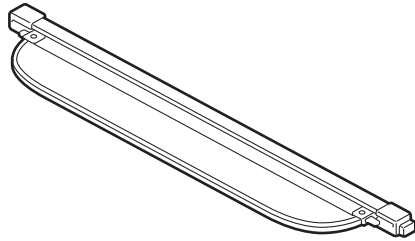
INSTALLATION INSTRUCTIONS

Accessory TONNEAU COVER	Application 2008 FIT	Publications No. All 37492
		Issue Date JULY 2007

Put this information in the glove box with the vehicle owner's manual.

PARTS LIST

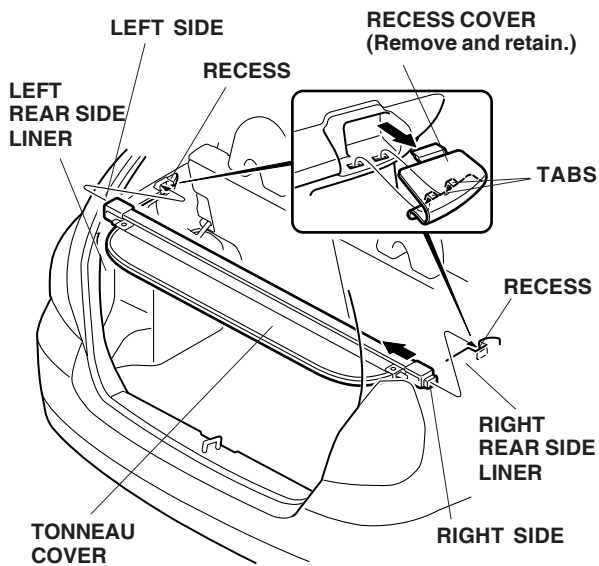
Tonneau cover



INSTALLATION

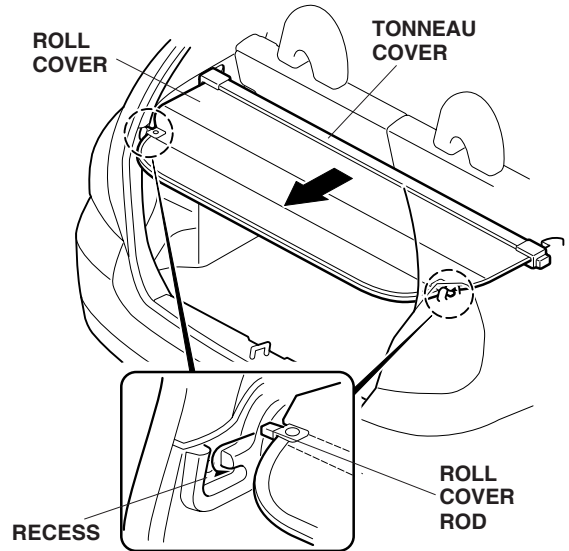
Installing the Tonneau Cover

1. Open the tailgate. Remove and retain the two recess covers (push down on the top and pull out to release the two tabs for each).



2. Insert the left end of the tonneau cover into the recess in the left rear side lining, then compress the tonneau cover and insert the right end into the recess in the right rear side lining into position, until set right end clicks.

3. Slide out and fit the right and left roll cover rods into the recesses in the rear side lining.



USE AND CARE

- The tonneau cover will roll back quickly when released, hold the tonneau cover until it is completely rolled.
- Do not place cargo on top of the tonneau cover.