

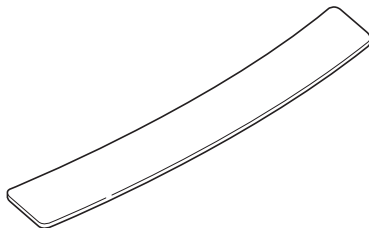


# INSTALLATION INSTRUCTIONS

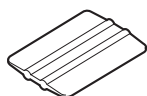
Accessory	Application	Publications No.
<b>REAR BUMPER APPLIQUE</b> P/N 0848-SLN-100	<b>2008 FIT</b>	<b>All 37485</b>
		Issue Date
		<b>JUL 2007</b>

## PARTS LIST

Bumper applique



Applicator



## SUPPLIES REQUIRED

Isopropyl alcohol

Masking tape

Felt-tip pen

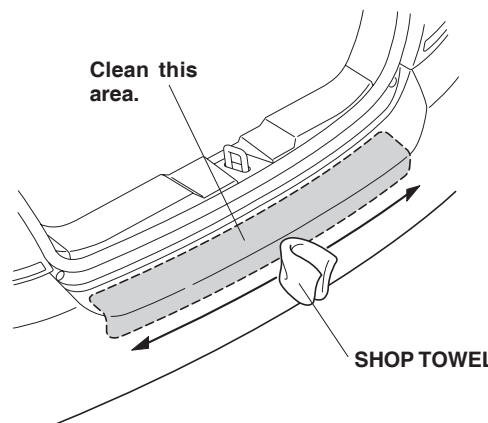
Shop towel

## INSTALLATION

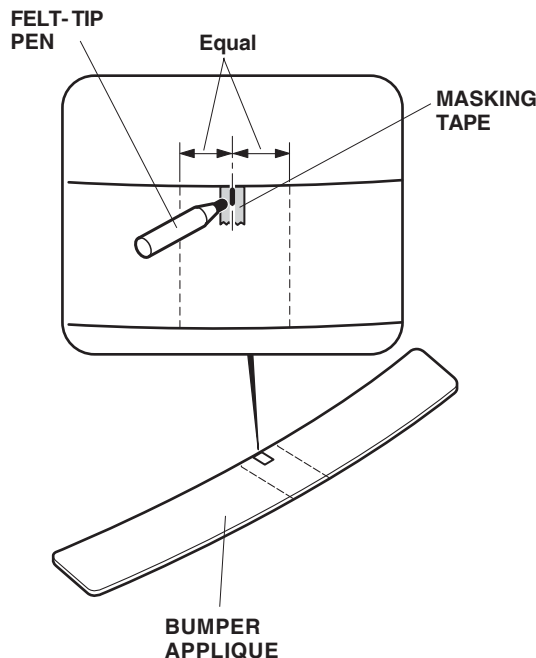
### NOTE:

- Be extremely careful not to damage the rear bumper and other finished surfaces of the body.
- Install this kit only if the ambient air temperature is above 60°F (15°C) or above.
- To allow the adhesive to “cure,” do not wash the car for 24 hours.

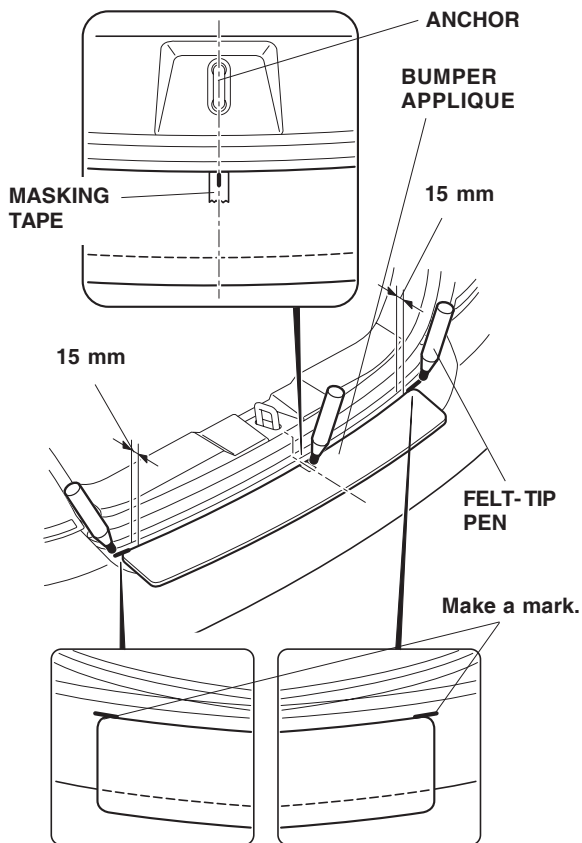
1. Using isopropyl alcohol on a shop towel, clean the rear bumper where the applique will attach.



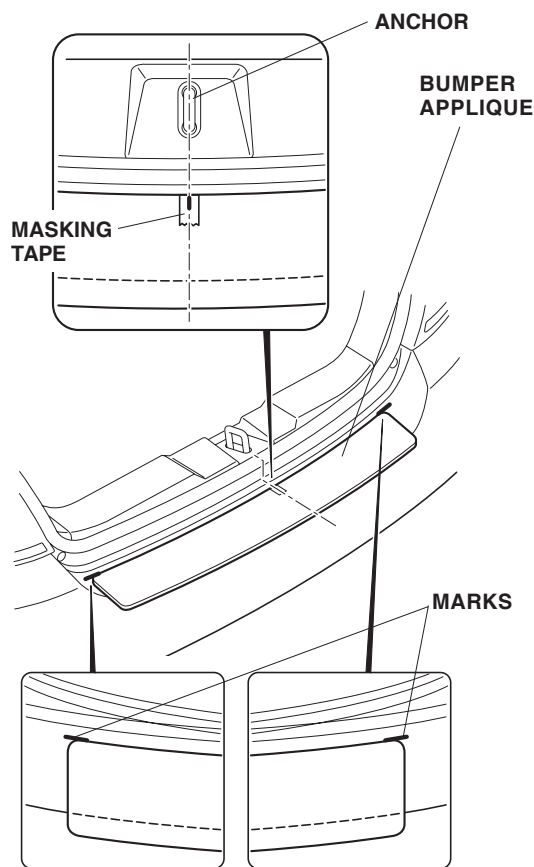
2. Attach a piece of masking tape to the center of the applique on the top surface. Using a felt-tip pen, mark the center of the applique on the masking tape.



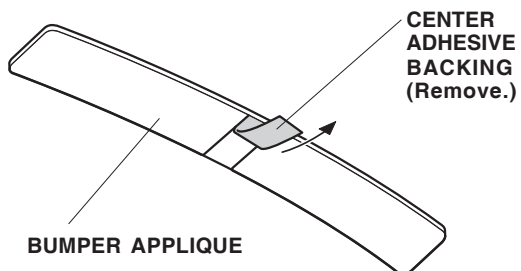
- Place the applique on the rear bumper and center the mark on the masking tape with the tailgate latch anchor. Slide the applique back 15 mm from the step in the bumper, then mark the bumper at each end and the center using a felt-tip pen.



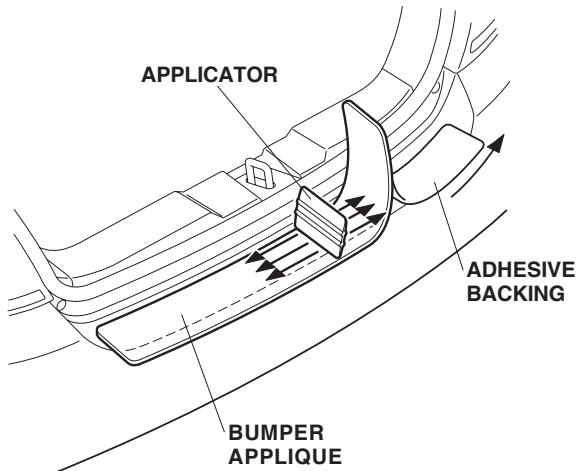
- Place the applique on the rear bumper at the three 15 mm marks, and center the mark on the masking tape with the latch anchor. Make sure the applique lays flat across the bumper when the marks are lined up. Readjust the applique if necessary, and then erase the marks at each end.



- Remove only the center adhesive backing from the applique.



- Starting from the center, remove about 3 inches of adhesive backing and fold it back. Using the applicator, firmly press the top section of the applique against the bumper. Don't worry about the rear round edge at this time. If you see a bubble, gently peel up that section and work out the bubble. Continue across the bumper 3 inches at a time until finished. Work slowly while keeping pressure against the applique. Adhere the applique to the other side the same way.



- Once the top section is finished with no bubbles, use the applicator to adhere the round edge. Start in the middle and work outwards and downwards in small sections. Rub the applicator across and down around the bumper 3 to 4 times to prevent air bubbles. Adhere the applique to the other side the same way.

