

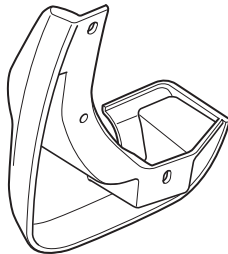


**INSTALLATION
INSTRUCTIONS**

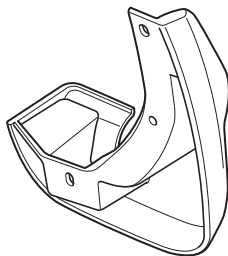
Accessory	Application	Publications No.
SPLASH GUARDS P/N 08P00-SLN-100	2007 FIT	All 31721
		Issue Date
		MAR 2006

PARTS LIST

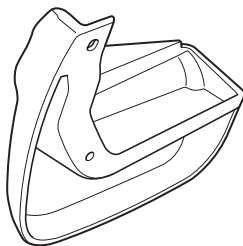
Right front splash guard



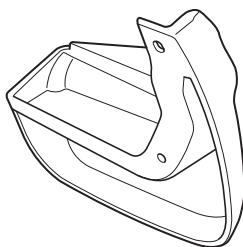
Left front splash guard



Right rear splash guard



Left rear splash guard



12 Self-tapping screws



6 Spring nuts



TOOL REQUIRED

Stubby Phillips screwdriver

Pushpin

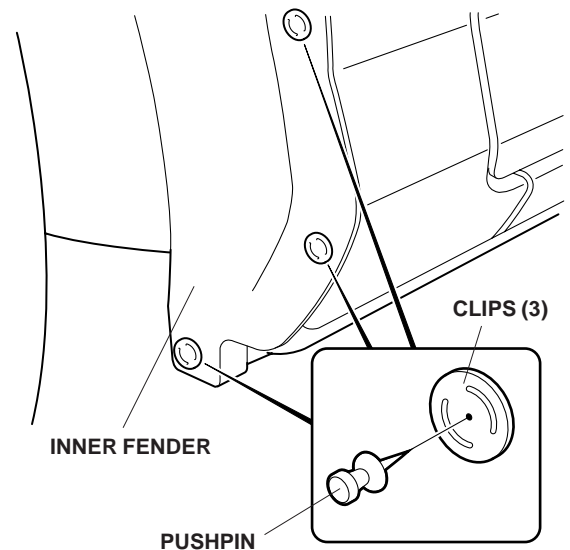
INSTALLATION

NOTE:

- These instructions show the left splash guards being installed. The same procedure applies to installing the right splash guards.
- Clean and wax the areas to be covered with a high-quality paste wax.

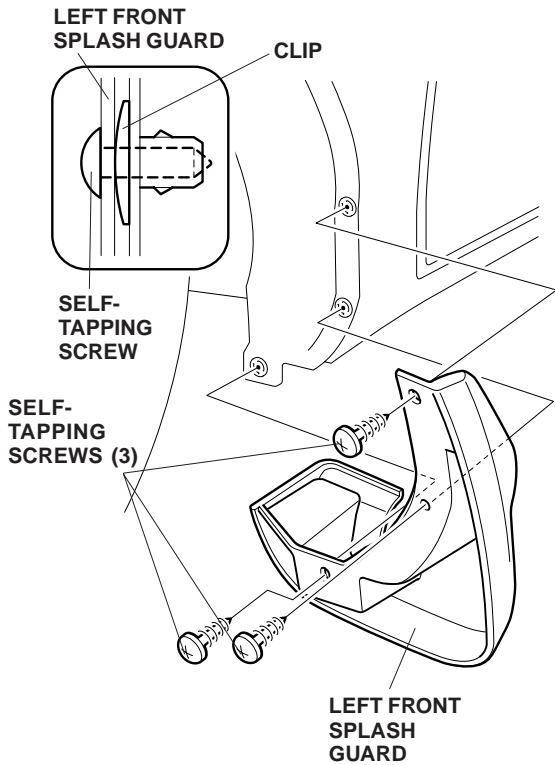
Installing the Front Splash Guards

1. Turn the steering wheel all the way counterclockwise.



2. Using a pushpin, make a hole through the centers of the three fenderwell clips.

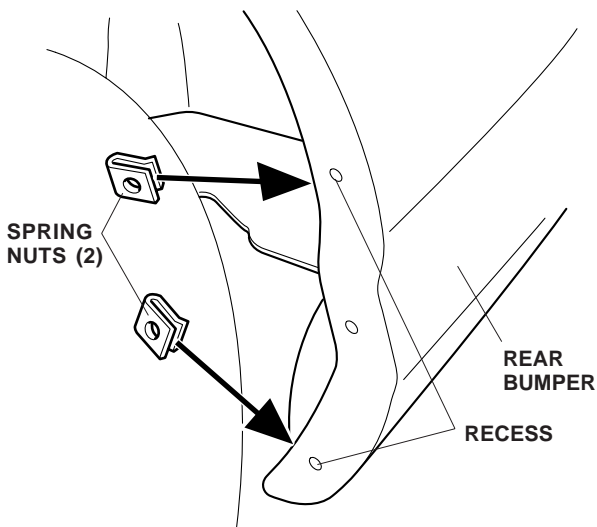
3. Install the left front splash guard with three self-tapping screws.



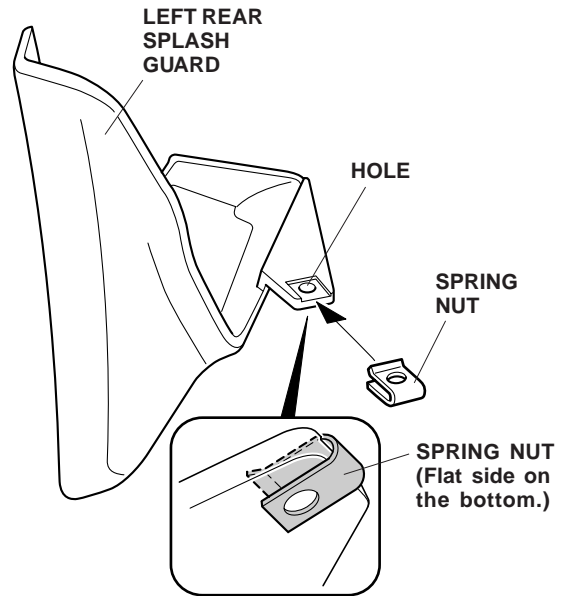
4. Turn the steering wheel all the way clockwise and install the right front splash guard the same way.

Installing the Rear Splash Guards

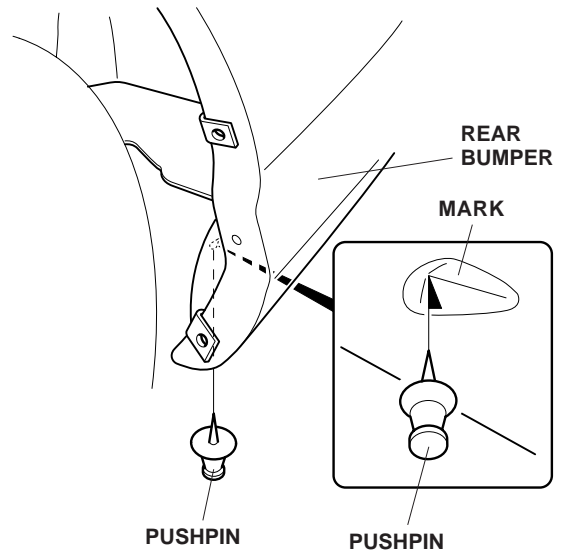
5. Install two spring nuts at the two recessed positions of the left end of the rear bumper.



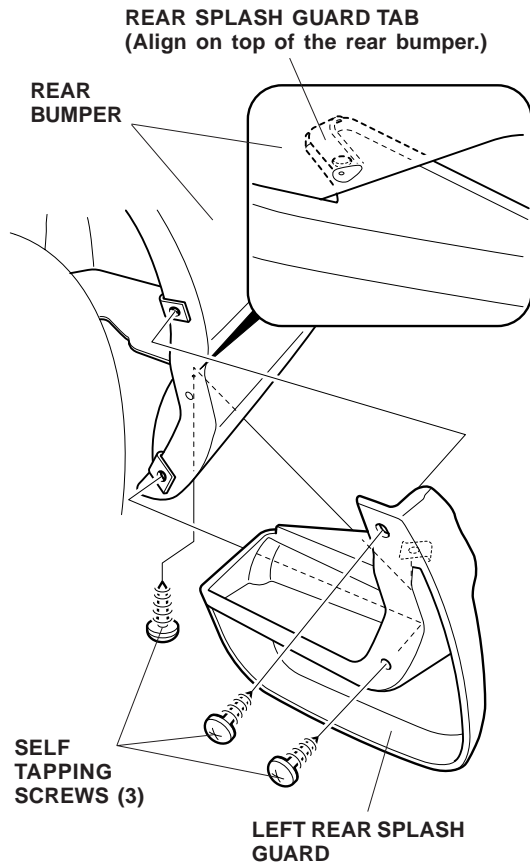
6. Slide one spring nut over the hole in the left rear splash guard. Pay attention to the installation direction of the spring nut.



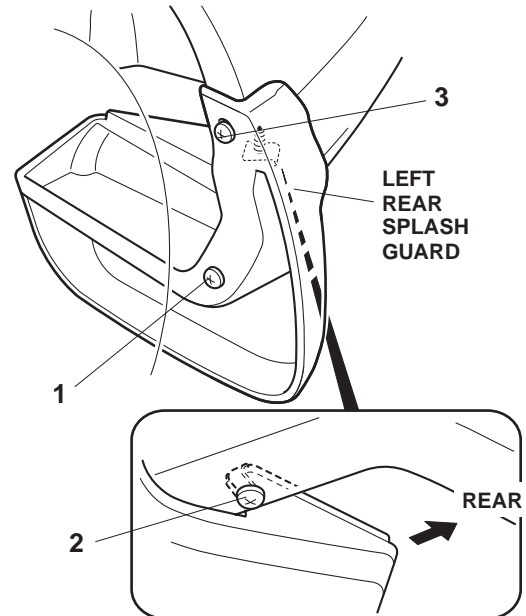
7. Using a pushpin, make a hole at the mark on the bottom of the bumper.



8. Align the left splash guard with the rear bumper and install with three self-tapping screws. Don't tighten the screws yet. Make sure that the tab on the rear splash guard is on top of the rear bumper.



9. Tighten the self-tapping screws securely in the order of 1, 2, and 3.
- If there is a gap at the underside of the rear splash guard, loosen the self-tapping screw on the tab part and then tighten it again while pulling the rear splash guard against the bumper.



10. Repeat steps 5 through 9 to install the right rear splash guard.