



# INSTALLATION INSTRUCTIONS

Accessory  
**FULL NOSE MASK**  
 FIT: P/N 08P35-SLN-100  
 SPORT: P/N 08P35-SLN-100A

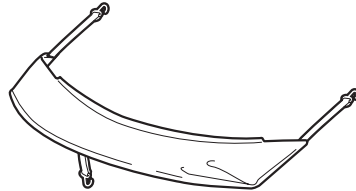
Application  
**2007 FIT**

Publications No.  
**All 31974**  
 Issue Date  
**MAR 2006**

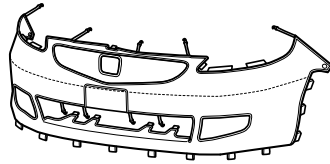
Put this information in the glove box with the vehicle owner's manual.

## PARTS LIST

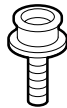
Mask  
(hood section)



Mask  
(bumper section)



2 Snap-screws



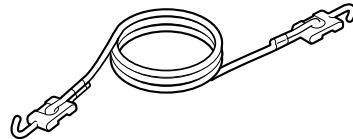
2 Washers



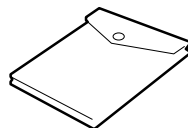
2 Fenderwell nuts



Elastic cord



Storage bag



## TOOLS AND SUPPLIES REQUIRED

Stubby Phillips screwdriver

Flat-tip screwdriver

## INSTALLATION

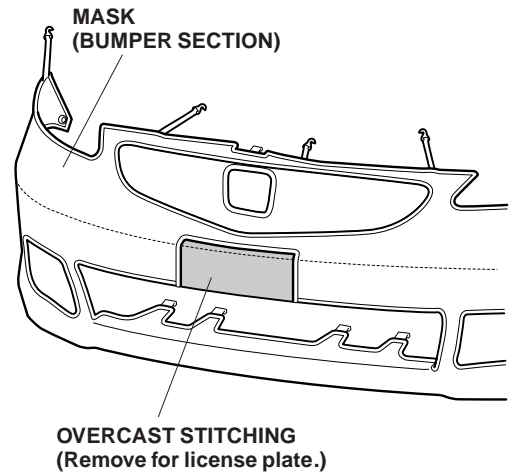
### NOTE:

- Make sure the vehicle and the nose mask are clean and completely dry before installation. If moisture under the mask is allowed to dry, it may cloud the paint. If the mask gets wet, remove it and allow it to air-dry completely.
- Make sure any repainted surfaces are cured.
- Make sure the hood and nose of the vehicle have been waxed with a high-quality paste wax.
- Make sure to install the nose mask securely. If the nose mask starts to flap or comes loose while driving, safely pull off the highway, stop the vehicle, and secure or remove the mask.

### Displaying the License Plate

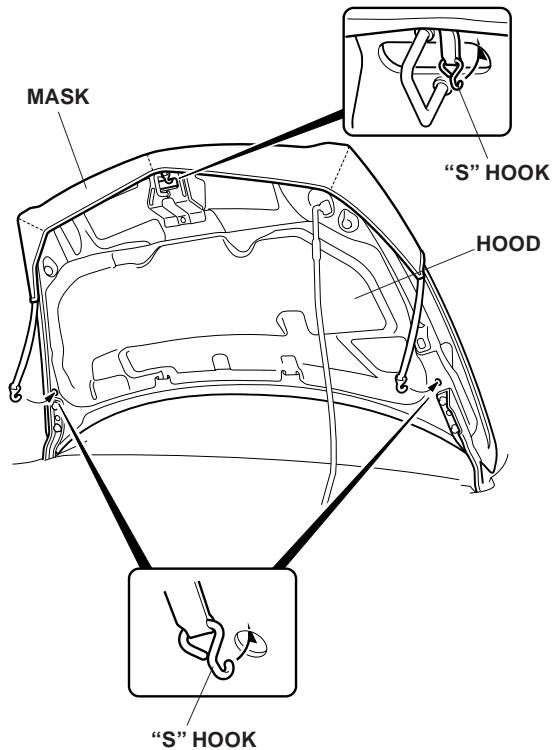
If your state law requires the display of both license plates, cut out the piece of the bumper section that covers the front license plate:

- Face the inside of the mask toward you.
- Carefully remove the red overcast stitching from the backside of the license plate opening and remove the license plate section.



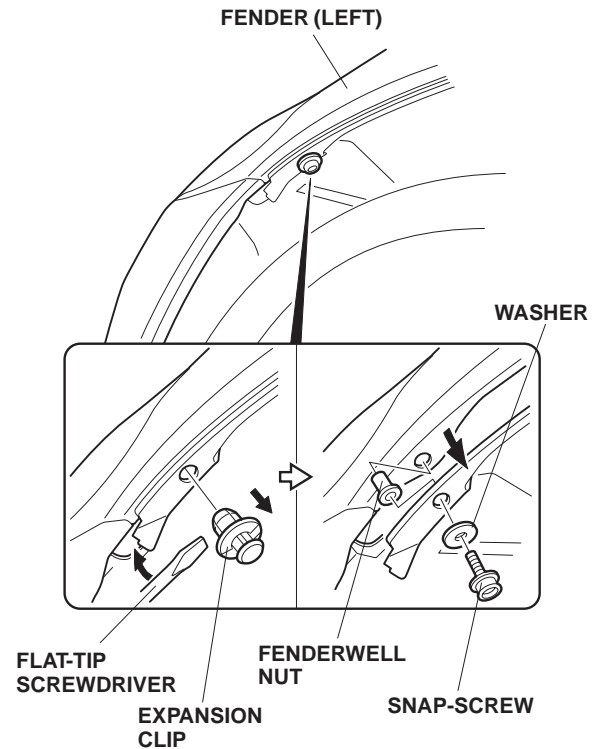
### Installing the Hood Section

1. Open the hood. Fit the corners of the mask around the hood. Adjust the mask so that it fits smoothly over the edges. Attach the "S" hooks to the hood.



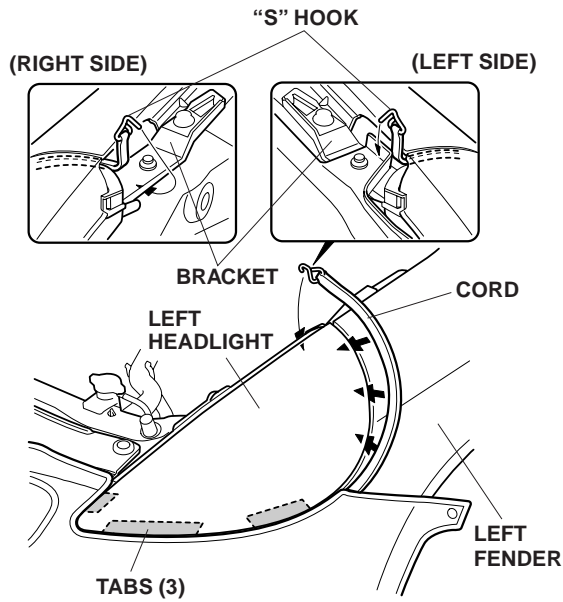
### Installing the Fender Section

2. Turn the steering wheel all the way clockwise.
3. Pry out the expansion clip that fastens the inner fender; remove and retain the expansion clip, then clean the area around the hole.

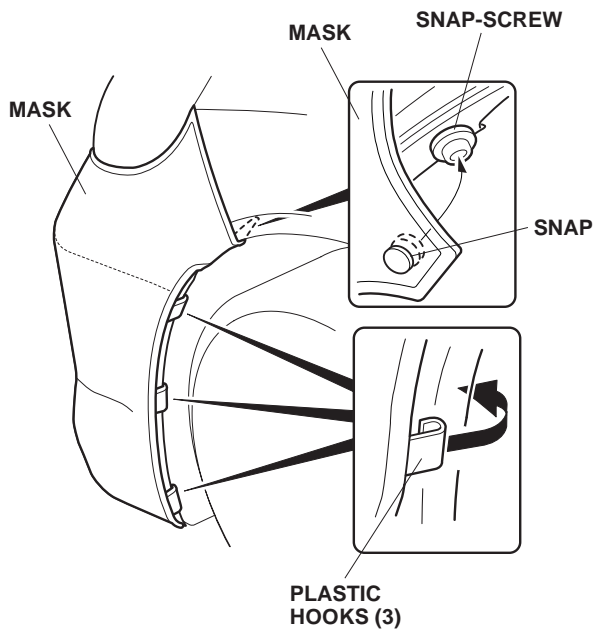


4. Pull the inner fender away, and press one fenderwell nut into the hole in the inner fender. Return the inner fenderwell to its original position.
5. With a snap-screw, secure a fenderwell nut and washer as shown.
6. Turn the steering wheel all the way counterclockwise and repeat steps 3 through 5 on the other side of the vehicle.

- Attach the "S" hooks to the headlight bracket, and insert the cord between the left headlight and the left fender. Insert the tabs into the opening between the left headlight and the bumper.

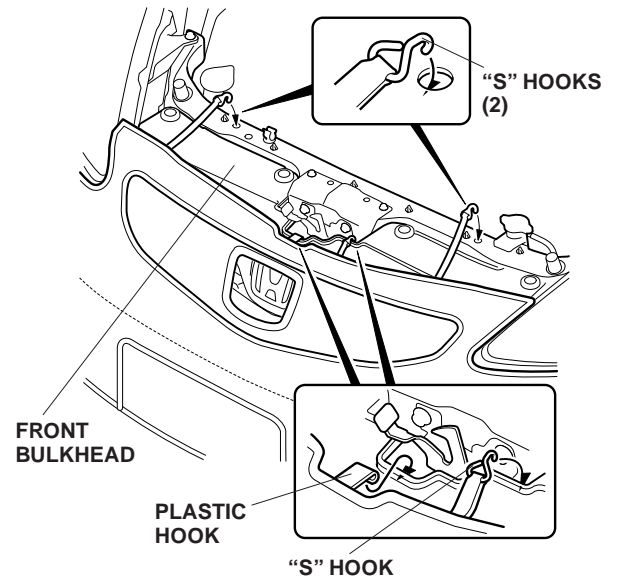


- Pull the mask back toward the wheelwell, smooth out any wrinkles, and snap the mask to the snap-screw. Attach the three plastic hooks to the fenderwell.

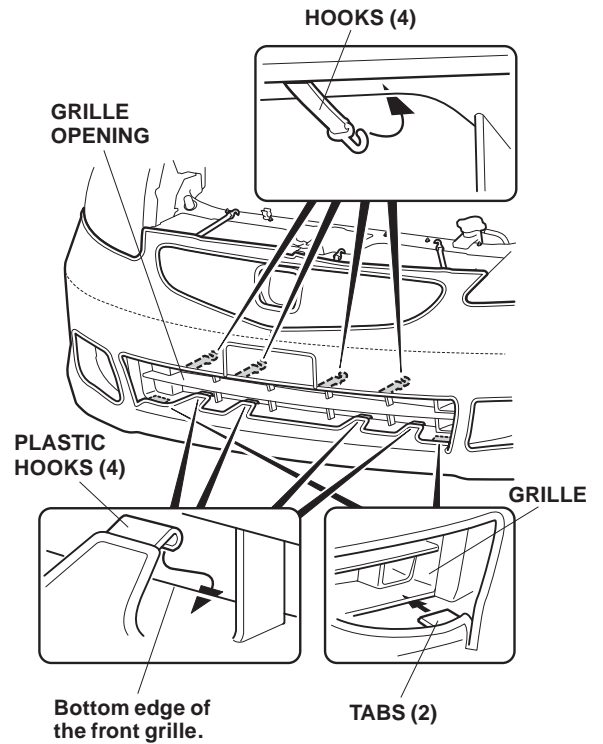


- Repeat steps 7 and 8 to install the mask on the right side of the vehicle.

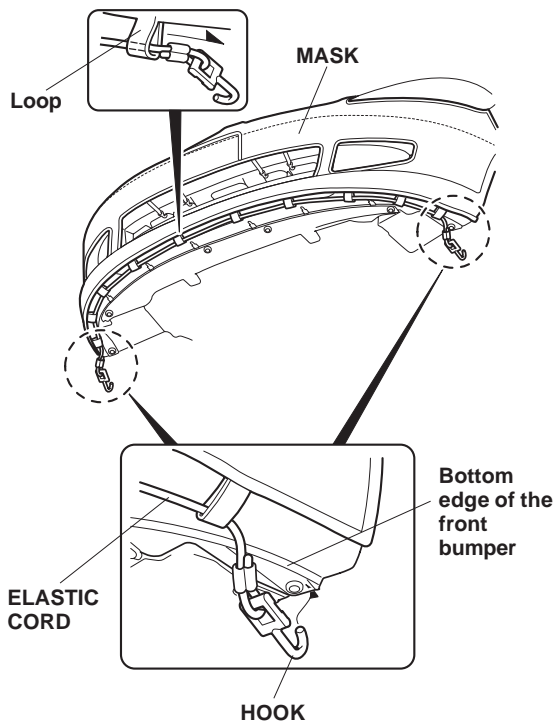
- Attach the three "S" hooks and plastic hook to the top of the bumper.



- Attach the four hooks to the grille opening. Insert the two tabs between the grille and the front bumper, and attach the four plastic hooks to the bottom edges of the front grille.



12. Route the elastic cord through the loops on the bottom of the mask and attach the hooks at the ends of the elastic cord to the bottom of the bumper on both sides.



13. Put these instructions and expansion clips into the storage bag for future use.

### **CLEANING THE NOSE MASK**

Use a sponge or cloth and a solution of mild liquid dishwashing soap and water to clean the vinyl and the flannel backing. Rinse the mask completely with clean water, and hang it to dry out of direct sunlight. Make sure the mask is completely dry before you reinstall it.