

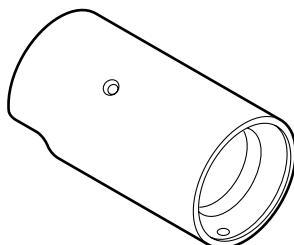


INSTALLATION INSTRUCTIONS

Accessory	Application	Publications No.
EXHAUST PIPE FINISHER P/N 08F53-SLN-100	2007 FIT	All 31596
		Issue Date
		MAR 2006

PARTS LIST

Exhaust finisher



2 Flange bolts



TOOLS REQUIRED

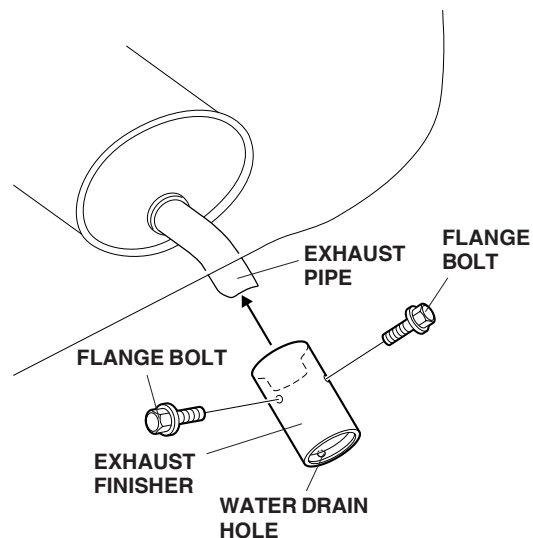
- 10 mm Socket
- Torque wrench

INSTALLATION

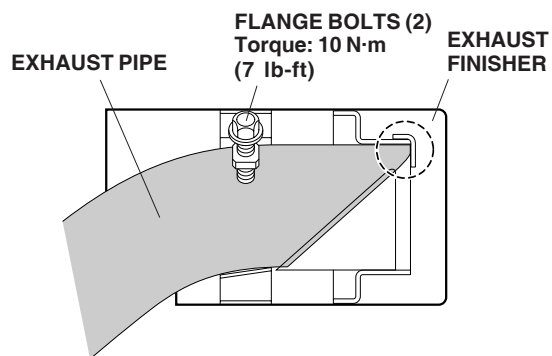
NOTE:

- Allow the exhaust pipe to cool down before you install the exhaust finisher kit.
- Never use abrasive-type cleaners to clean the exhaust finisher kit, as they may damage the finisher kit.

1. Partially thread the two flange bolts into the exhaust finisher.



2. With the water drain hole facing down slide the exhaust finisher all the way onto the exhaust pipe.
3. Push the exhaust finisher firmly until it bottoms against the exhaust pipe, then torque the two flange bolts to 10 N·m (7 lb-ft.).



4. Start the engine, and rev it up a few times. Listen for vibration from the exhaust finisher, and adjust if necessary.