



## INSTALLATION INSTRUCTIONS

Accessory  
**AUTOMATIC DAY/NIGHT  
MIRROR**

Application  
**2012 CR-V**

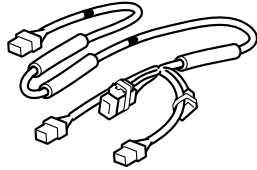
Publications No.  
**All 12061**

Issue Date  
**DEC 2011**

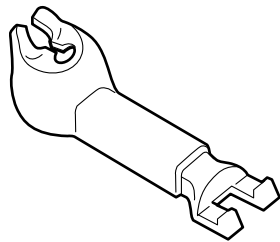
### PARTS LIST

**Attachment Kit  
P/N 08V03-T0A-100**

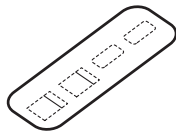
Automatic day/night mirror harness



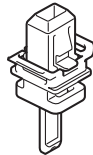
Harness cover



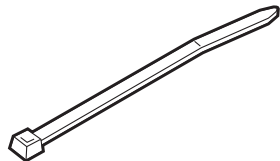
Fuse label



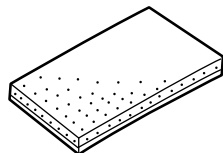
Clip



5 Wire ties

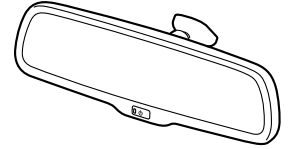


2 EPT sealers

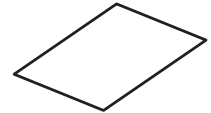


### Automatic Day/Night Mirror Kit P/N 08V03-T0A-100A

Automatic day/night mirror



Operating Instructions



### TOOLS AND SUPPLIES REQUIRED

Phillips screwdriver

Isopropyl alcohol

Shop towel

Diagonal cutters

10 mm Open end wrench

Flat-tip screwdriver

Small flat-tip screwdriver

Masking tape

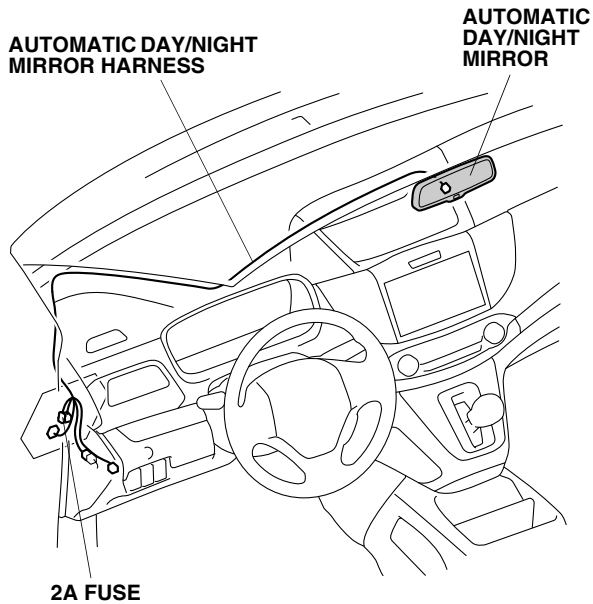
T20 TORX bit

Flashlight

*The following tool is available through the Honda Tool and Equipment program. On the iN, click on: Service > Service Bay > Tool and Equipment Program, then enter the number under "Search." Or call 888-424-6857.*

- Trim tool set (T/N SOJATP2014)

## Illustration of the Automatic Day/Night Mirror Installed on the Vehicle

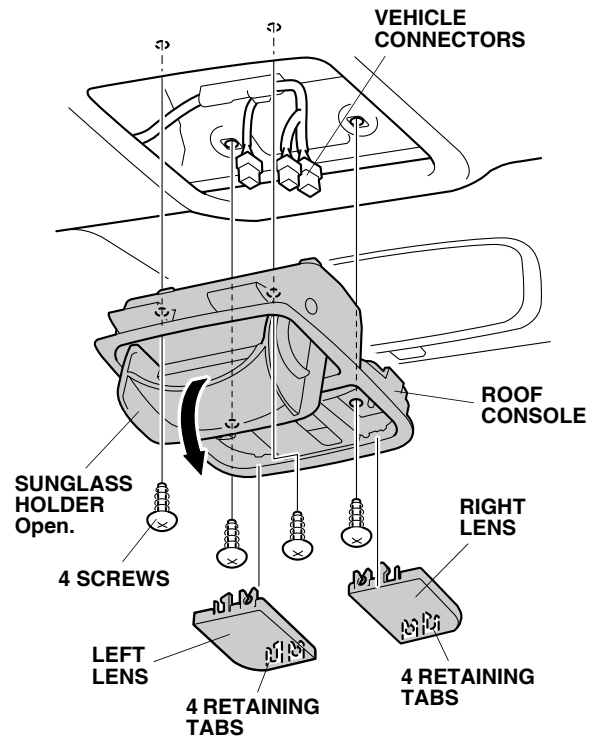


## INSTALLATION

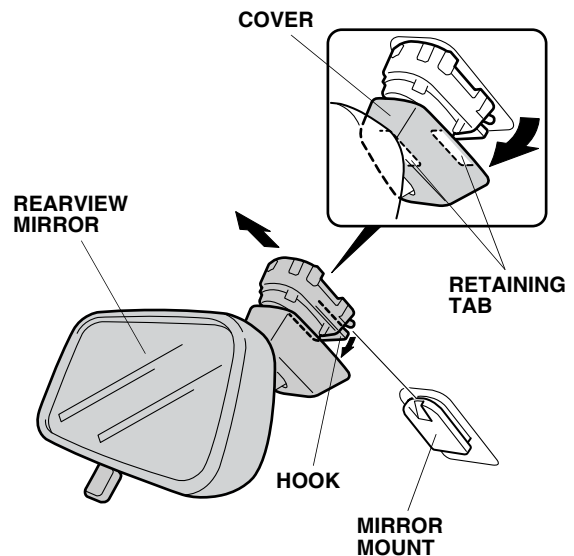
**Customer Information:** The information in this installation instruction is intended for use only by skilled technicians who have the proper tools, equipment, and training to correctly and safely add equipment to your vehicle. These procedures should not be attempted by "do-it-yourselfers."

1. Disconnect the negative cable from the battery.

2. Remove the roof console.
  - Using a plastic trim tool, pry out and remove the left and right lens (four retaining tabs each).
  - Open the sunglass holder and remove four screws.
  - Remove the roof console (unplug the vehicle connectors).

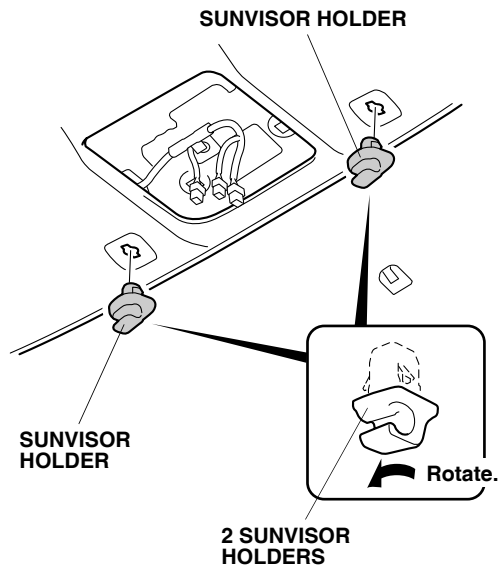


3. Remove the cover (two retaining tabs).



4. While holding down the hook, remove the rearview mirror from the mirror mount as shown.

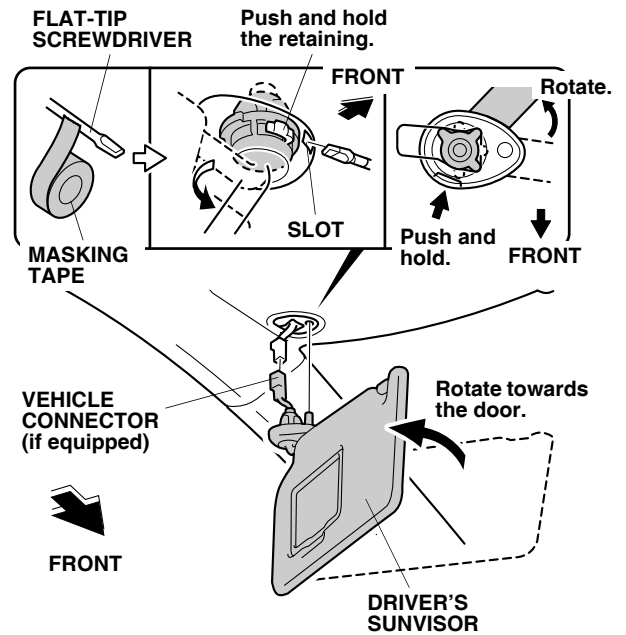
5. Release the driver's sunvisor and passenger's sunvisor from the two sunvisor holders.



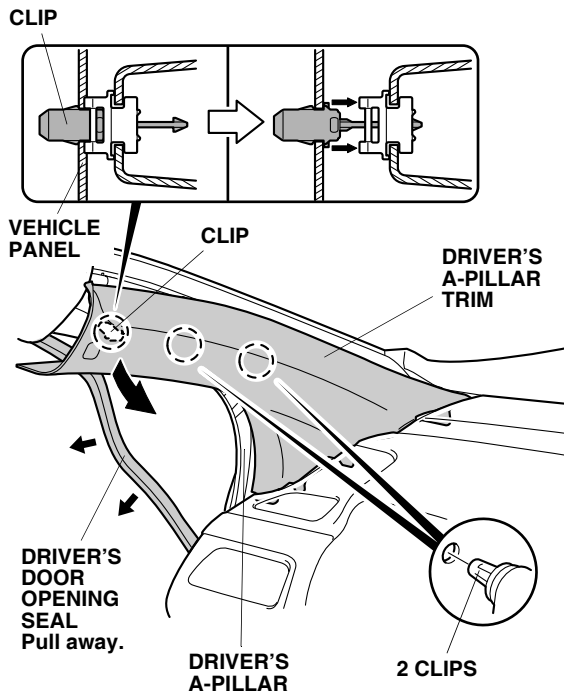
6. Rotate each sunvisor holders 45° counterclockwise to remove the two sunvisor holders.

7. Remove the driver's sunvisor.

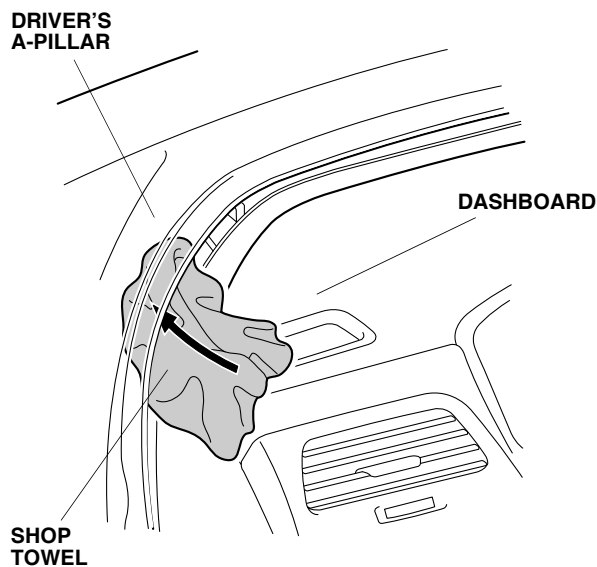
- Turn the sunvisor toward the driver's seat.
- Locate the slot in the sunvisor holder, and insert a flat-tip screwdriver wrapped with a masking tape into the slot. Push in and hold the retaining tab.
- While holding the retaining tab, push up on the sunvisor and rotate it toward the door.  
**NOTE:** If the retaining tab did not stay pushed in, return the driver's sunvisor to its original position and repeat the above steps.
- Remove the driver's sunvisor (unplug the vehicle connector if equipped).



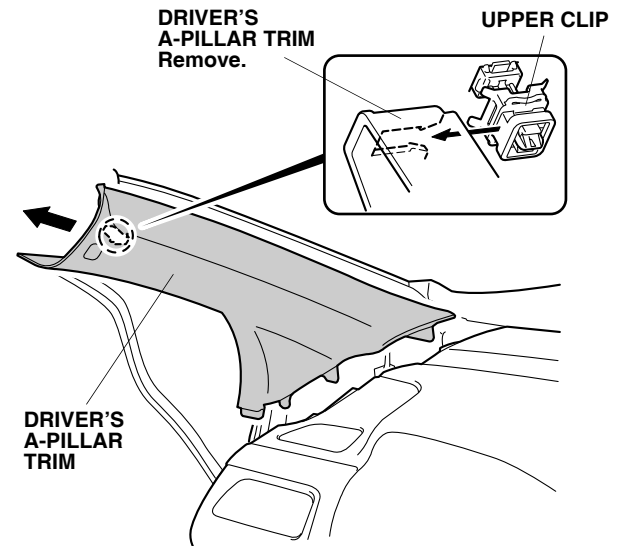
8. Pull away the driver's door opening seal, from the driver's A-pillar. Gently pull out the driver's A-pillar trim to release the clips.



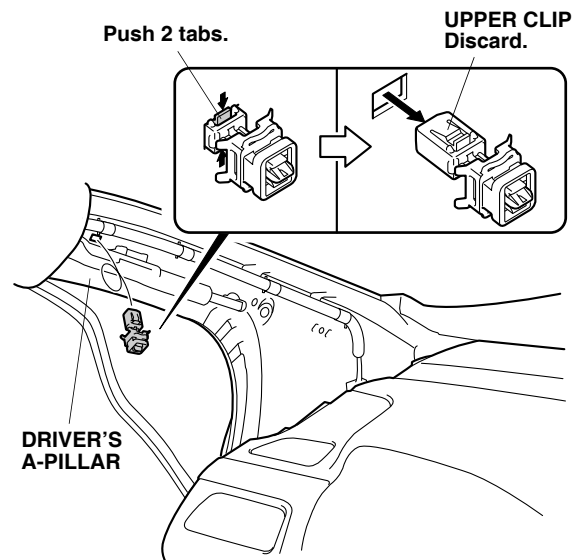
9. To prevent the clips from falling into the vehicle body, roll up the shop towel, and insert it between the driver's A-pillar and the dashboard. Take care not to damage the driver's A-pillar.



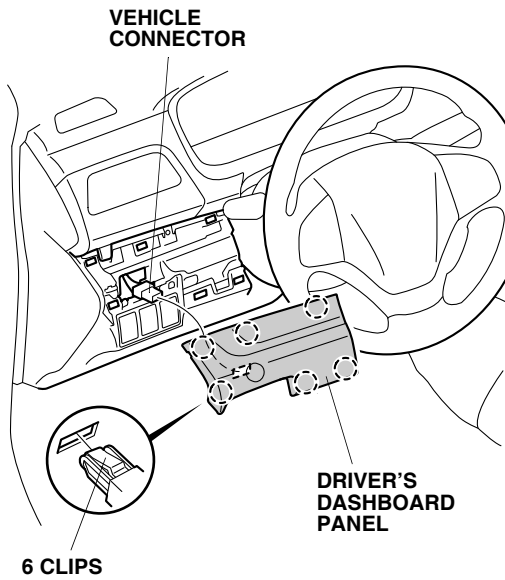
10. Remove the driver's A-pillar trim. Carefully remove the shop towel and any clips that fell from the driver's A-pillar trim.



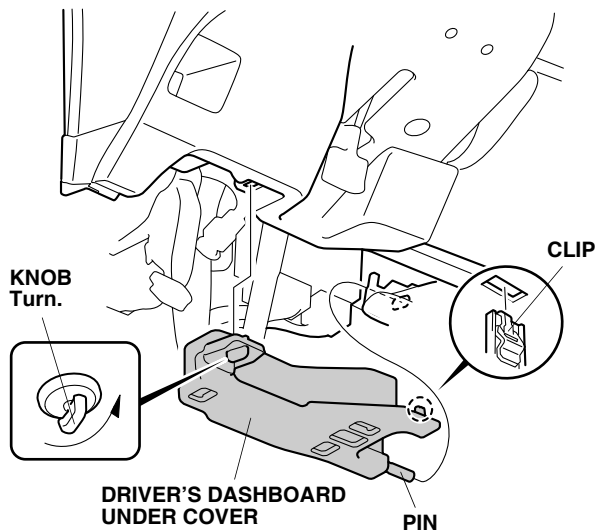
11. Remove the remaining upper clip from the driver's A-pillar.



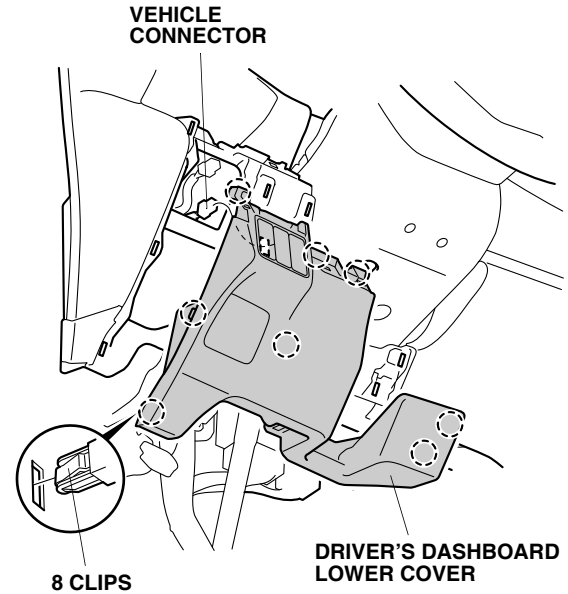
12. Remove the driver's dashboard panel (six clips and unplug the vehicle connector).



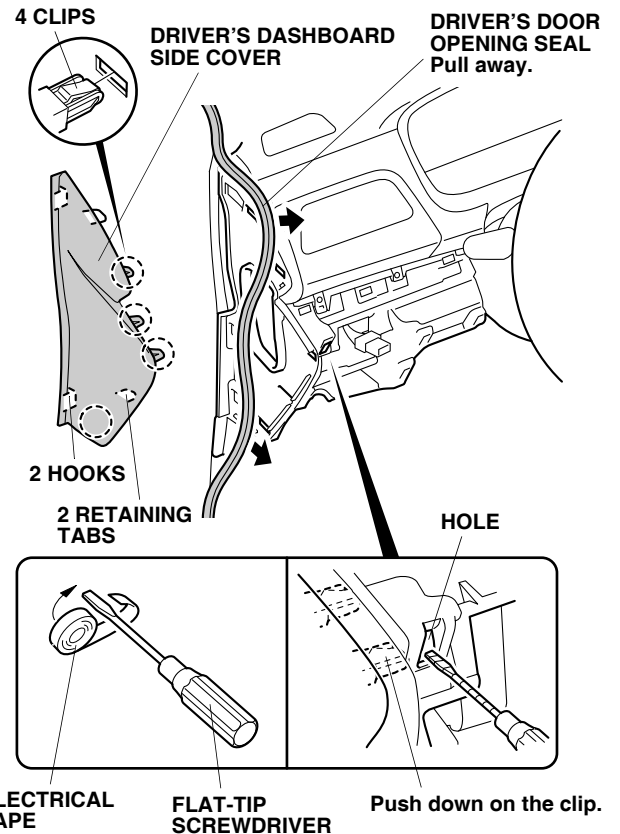
13. Remove the driver's dashboard under cover (turn the knob, one clip and one pin).



14. Remove the driver's dashboard lower cover (eight clips and unplug the vehicle connector).

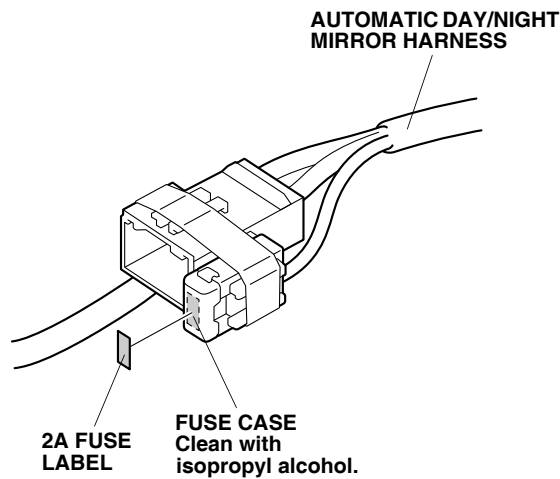


15. Pull away the driver's door opening seal, and remove the driver's dashboard side cover (two retaining tabs, four clips and two hooks). To release the front clip, insert a flat-tip screwdriver wrapped with electrical tape into the dashboard hole, and push down on the clip.



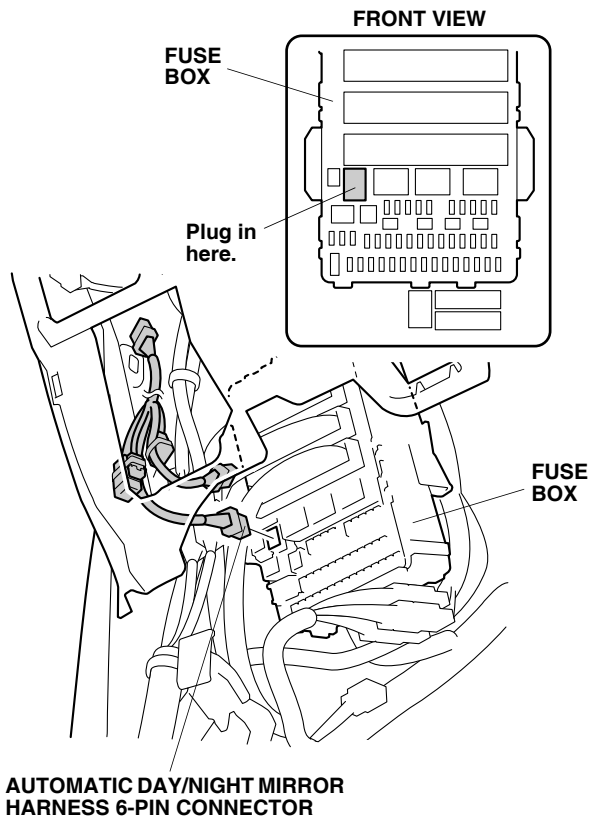
## Routing the Automatic Day/Night Mirror Harness

- Using isopropyl alcohol on a shop towel, thoroughly clean the fuse case where the fuse label will attach. Attach the 2A fuse label to the fuse case on the automatic day/night mirror harness.

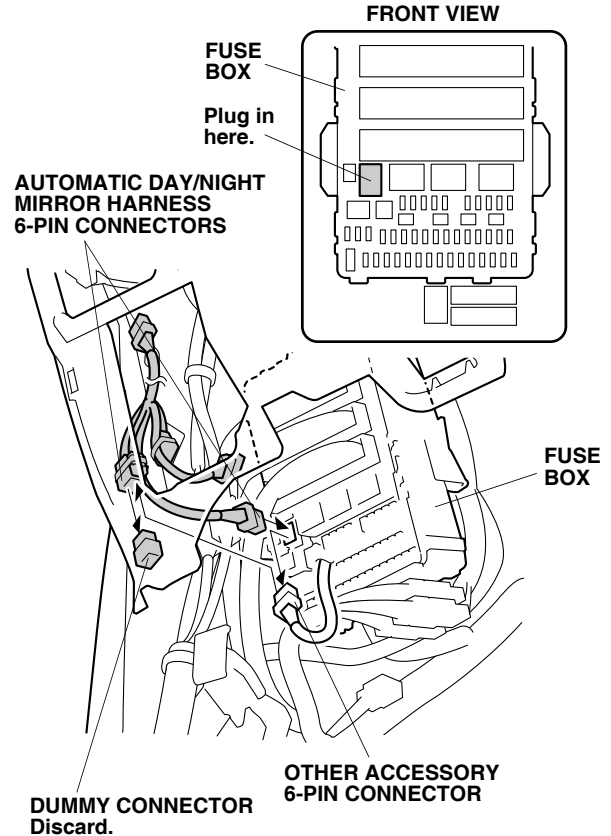


If the 6-pin connector is already used by another accessory, go to step 18. Otherwise, continue with step 17.

- Plug the automatic day/night mirror harness 6-pin connector into the fuse box. Go to step 20.

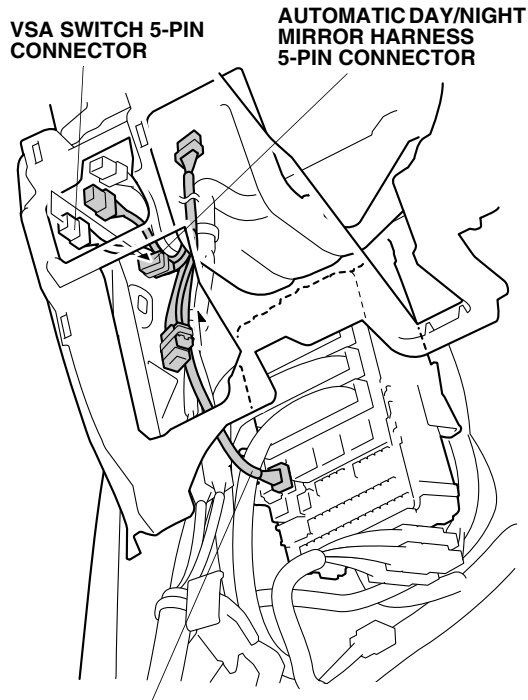


- Unplug the other accessory 6-pin connector from the fuse box, and plug the automatic day/night mirror harness 6-pin connector into the fuse box.

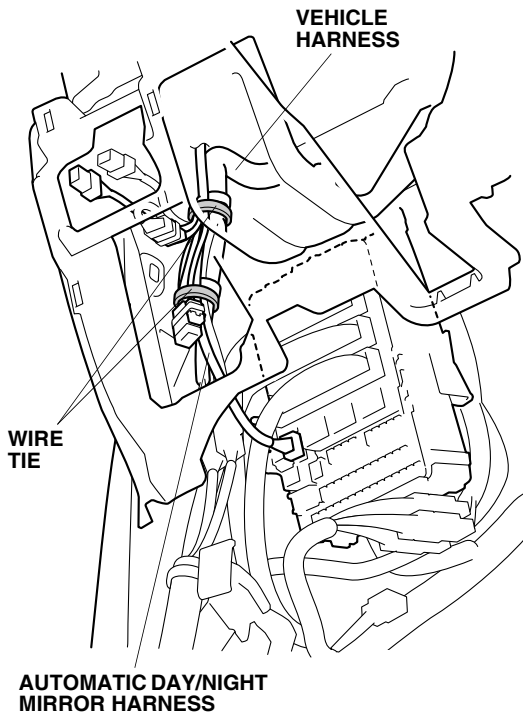


- Remove the dummy connector from the automatic day/night mirror harness 6-pin connector, and plug the other accessory 6-pin connector to the automatic day/night mirror harness 6-pin connector.

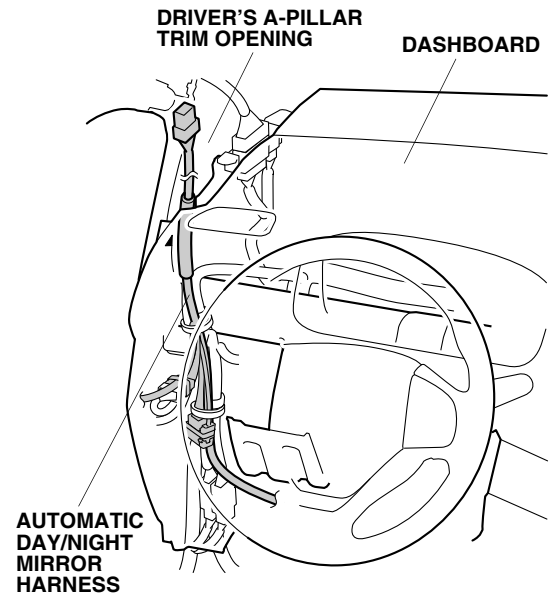
20. Route the automatic day/night mirror harness as shown.



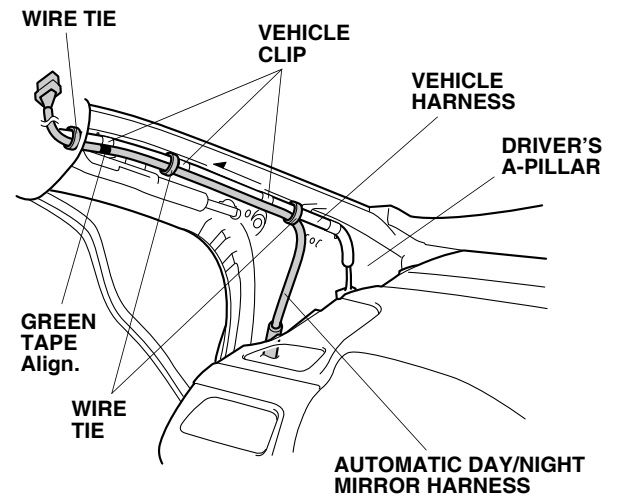
21. Plug the VSA switch 5-pin connector into the automatic day/night mirror harness 5-pin connector.
22. Secure the automatic day/night mirror harness to the vehicle harness with two wire ties.



23. Route the automatic day/night mirror harness up to the driver's A-pillar trim opening as shown.

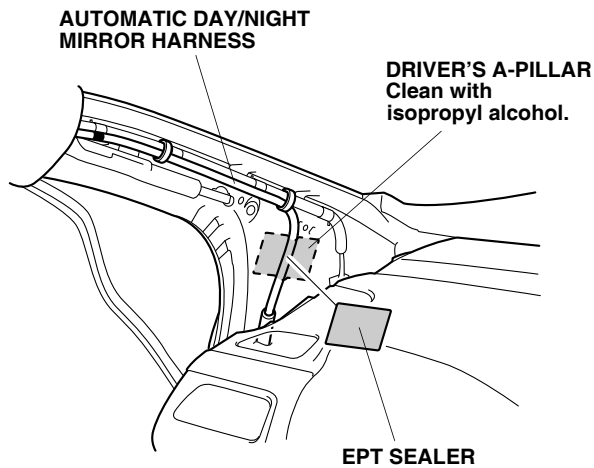


24. Route the automatic day/night mirror harness up the A-pillar along the vehicle harness.

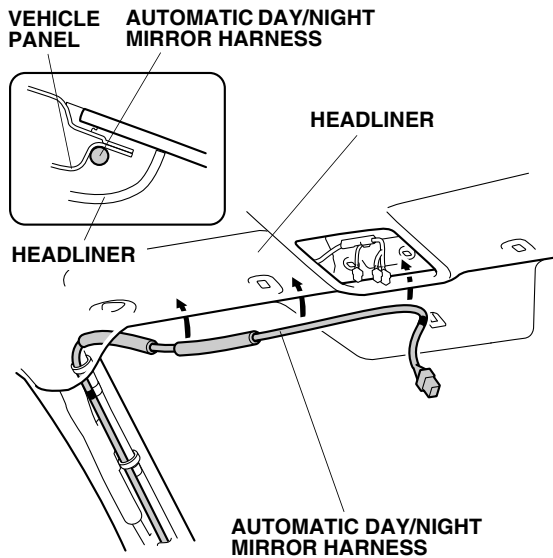


25. Align the green tape on the automatic day/night mirror harness with the upper vehicle clip, and secure the automatic day/night mirror harness to the vehicle harness with three wire ties.

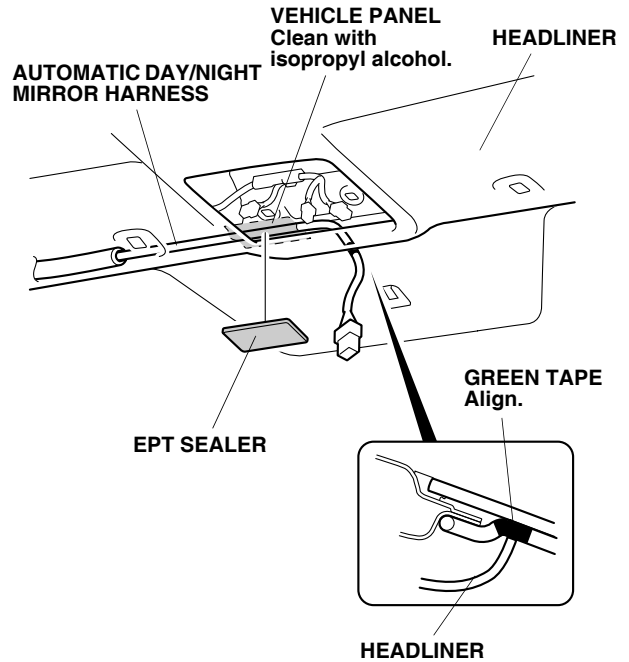
26. Using isopropyl alcohol on a shop towel, thoroughly clean the A-pillar where the EPT sealer will attach. Secure the automatic day/night mirror harness to the driver's A-pillar with one EPT sealer.



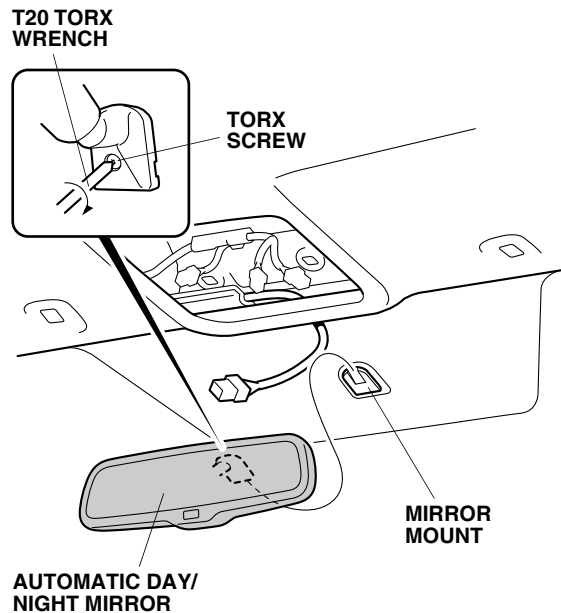
27. Gently pull down the headliner, and tuck the automatic day/night mirror harness under the headliner. Be careful not to crease the headliner.



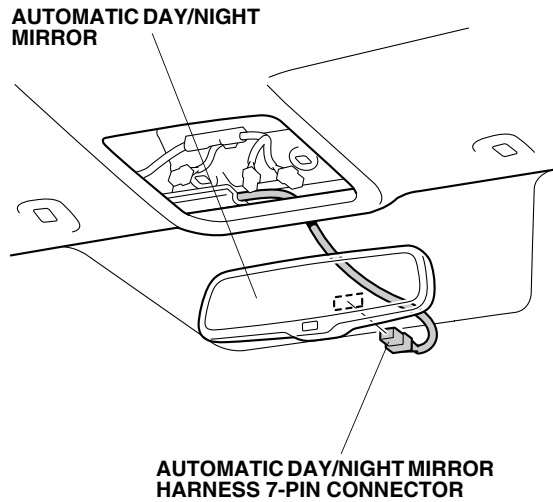
28. Align the green tape on the automatic day/night mirror harness with the edge of the headliner. Be careful not to crease the headliner.



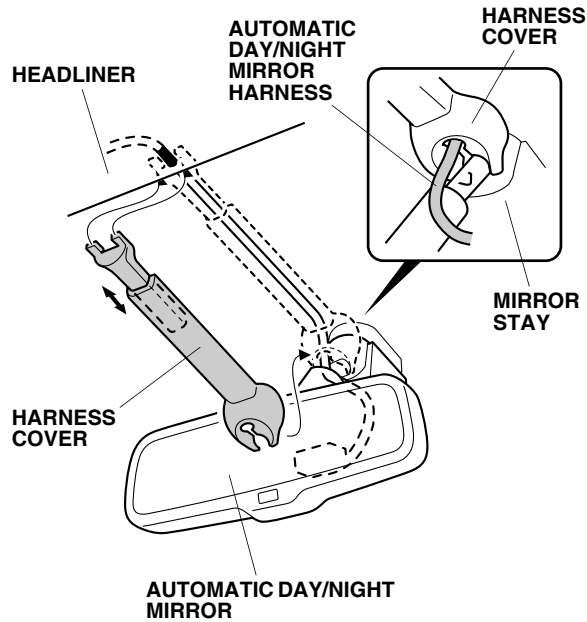
29. Using isopropyl alcohol on a shop towel, thoroughly clean the vehicle panel where the EPT sealer will attach. Secure the automatic day/night mirror harness to the vehicle panel with one EPT sealer as shown. Be careful not to crease the headliner.
30. Install the automatic day/night mirror onto the mirror mount, and tighten the torx screw. Torque the torx screw to 1.8 N·m (1.3 lbf·ft).



31. Plug the automatic day/night mirror harness 7-pin connector into the automatic day/night mirror.

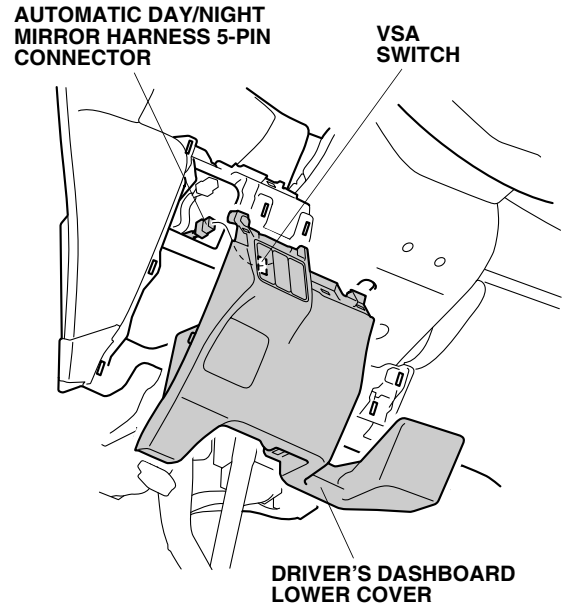


32. Route the automatic day/night mirror harness through the grooves in the harness cover. Secure the harness cover to the mirror stay as shown.

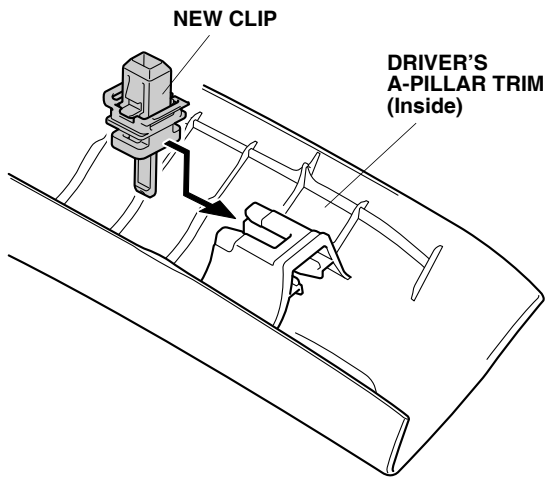


33. Slide the harness cover inside the headliner.

34. Plug the automatic day/night mirror harness 5-pin connector into the VSA switch, and reinstall the driver's dashboard lower cover.



35. Temporarily reinstall the driver's A-pillar trim, and check the overlap between the headliner and the driver's A-pillar trim according to the service manual. Remove the driver's A-pillar trim. Install the new clip (supplied) to the driver's A-pillar trim.



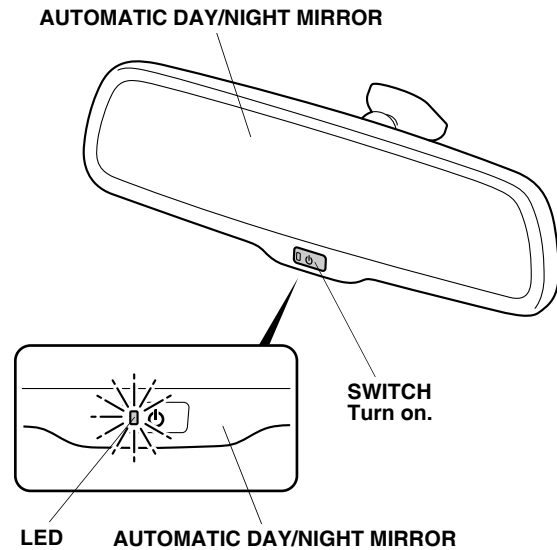
36. Check that all wire harnesses are routed properly and all connectors are plugged in.
37. Reinstall all removed parts.
38. Reconnect the negative cable to the battery.
39. Press and hold the radio power button for two seconds to restore the radio and navi (if equipped) system functions.
40. Reset the clock on vehicle without navigation.

**NOTE:**

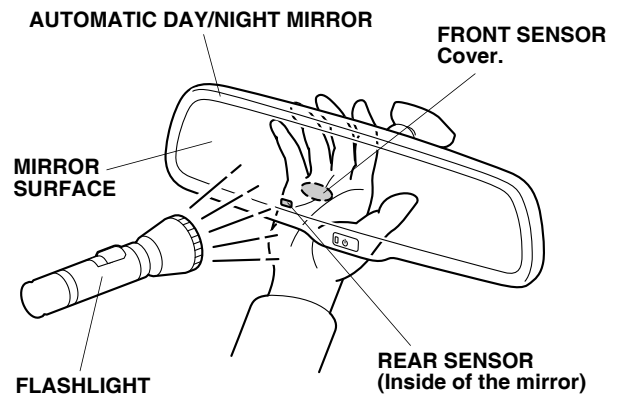
- Check the operation of the automatic day/night mirror according to the Operating Instructions supplied.
  - Adjust the zone and calibrate as required.
41. Put the Operating Instructions in the glove box.

**Function Check**

1. Turn the ignition switch to ON (II), but do not start the engine.



2. Turn the mirror switch on. Check that the LED glows properly.
3. Cover the front sensor on the automatic day/night mirror with your hand. Using a flashlight, shine the light on the rear sensor of the automatic day/night mirror. Check that the mirror surface becomes dim.



4. With the parking brake properly set, step on the brake pedal, and move the select lever to the "R" position. Repeat step 3, and check to make sure the mirror surface does not become dim. If the automatic day/night mirror does not function properly, check the fuse and all the connectors.