

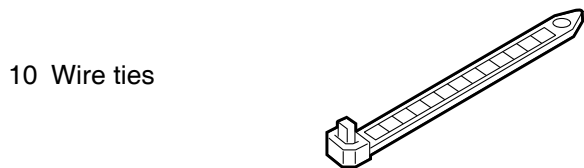
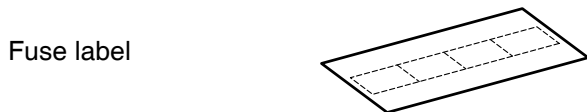
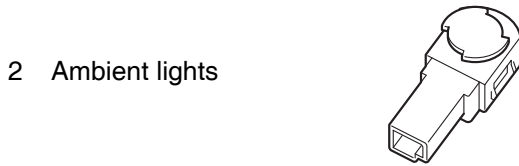
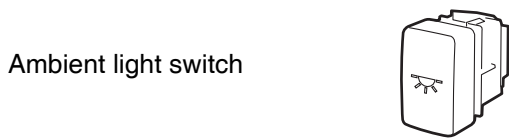
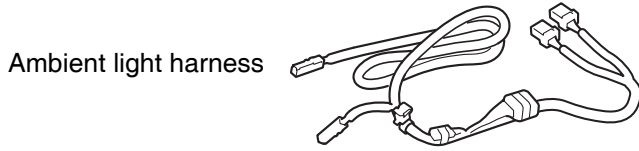


## INSTALLATION INSTRUCTIONS

Accessory	Application	Publications No.
AMBIENT LIGHTS P/N 08E10-TP6-100	2012 CROSSTOUR	All 46172
		Issue Date JULY 2011

### PARTS LIST

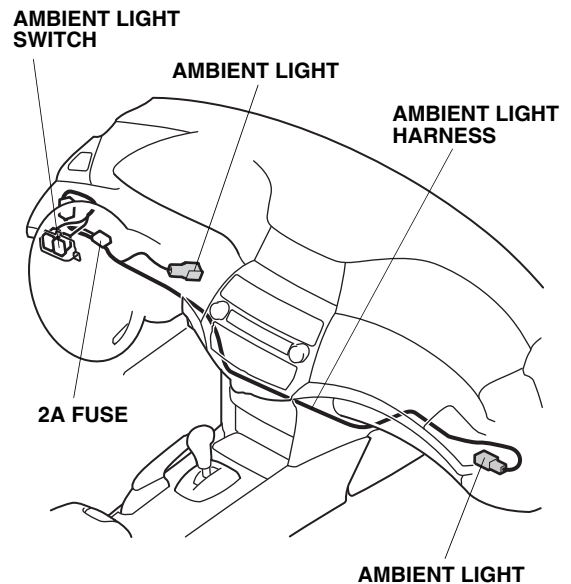
#### Ambient Light Kit



### TOOLS AND SUPPLIES REQUIRED

- Phillips screwdriver
- Flat-tip screwdriver
- Diagonal cutters
- 10 mm Combination wrench
- Isopropyl alcohol
- Shop towel

#### Illustration of the Ambient Lights Installed on the Vehicle

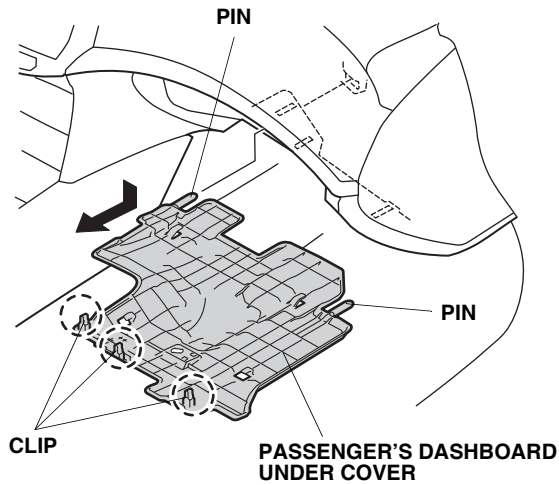


### INSTALLATION

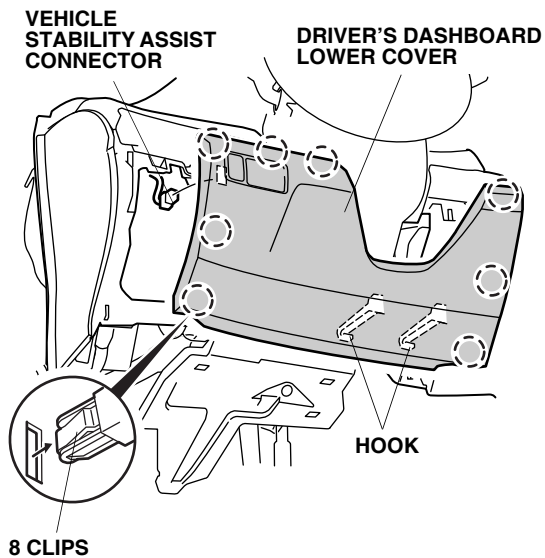
**Customer Information:** The information in this installation instruction is intended for use only by skilled technicians who have the proper tools, equipment, and training to correctly and safely add equipment to your vehicle. These procedures should not be attempted by "do-it-yourselfers."

1. Make sure you have the anti-theft codes for the audio and navigation system (if equipped), then write down the radio station presets.
2. Disconnect the negative cable from the battery.

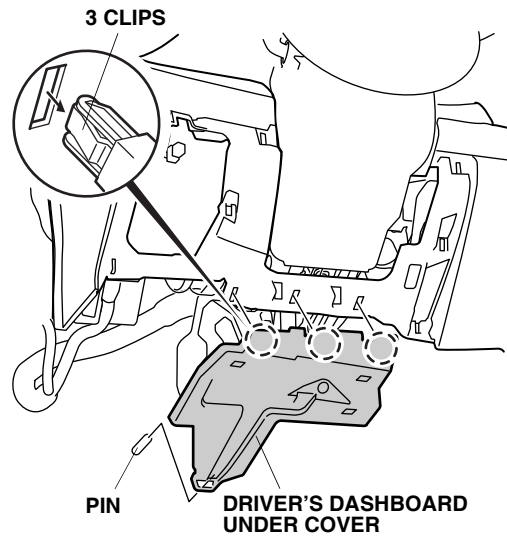
3. Remove the passenger's dashboard under cover (three clips and two pins).



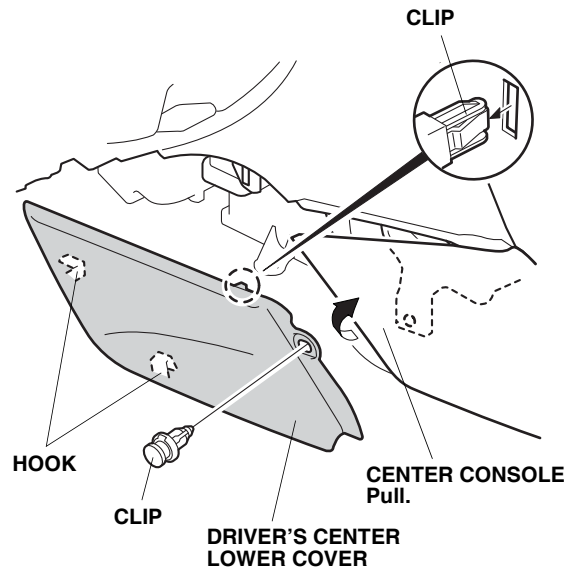
4. Remove the driver's dashboard lower cover (eight clips, two hooks, and vehicle stability assist connector).



5. Remove the driver's dashboard under cover (three clips and one pin).

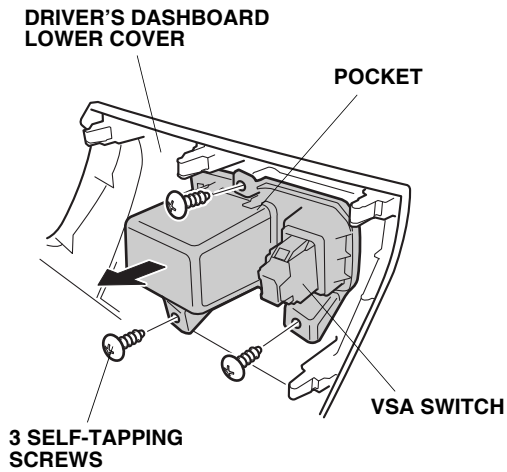


6. Gently pull out the center console, and remove the one clip. Remove the driver's center lower cover (one clip and two hooks).

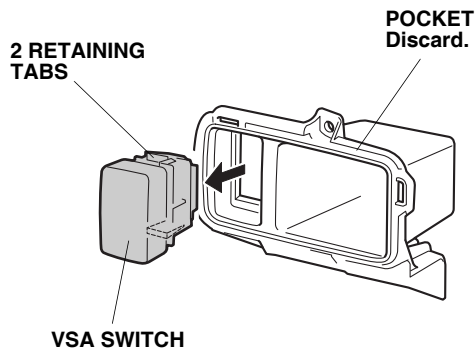


## Installing the Ambient Light Switch

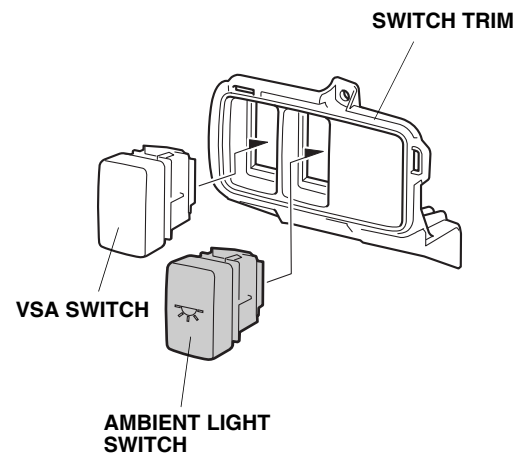
7. Remove the pocket (three self-tapping screws).



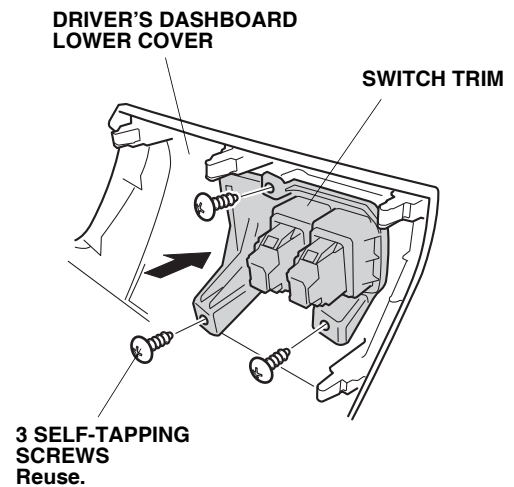
8. Remove the VSA switch (two retaining tabs).



9. Install the VSA switch (removed in step 8), and the ambient light switch into the switch trim.

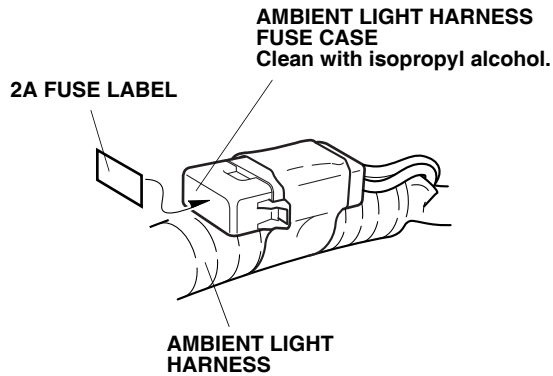


10. Install the switch trim to the driver's dashboard lower cover using the three self-tapping screws removed in step 7.

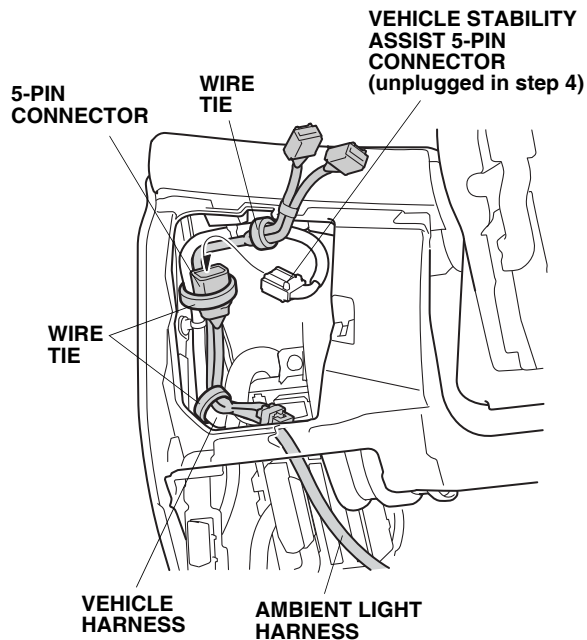


## Routing the Ambient Light Harness

- Using isopropyl alcohol on a shop towel, clean the area where the fuse label will attach. Attach the 2A fuse label to the fuse case on the ambient light harness.

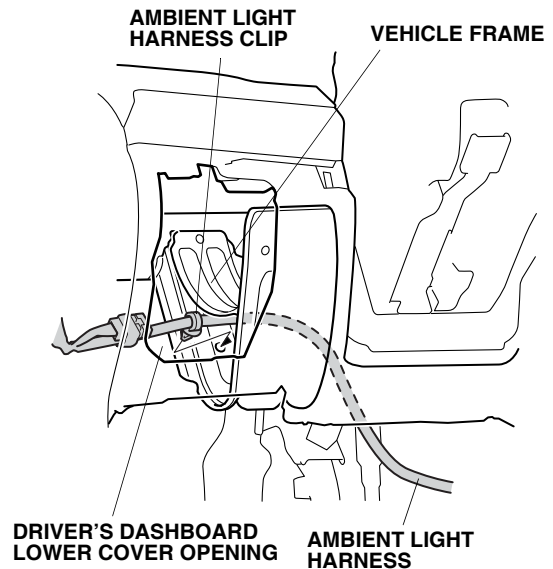


- Plug the ambient light harness 5-pin connector to the vehicle stability assist 5-pin connector unplugged in step 4.

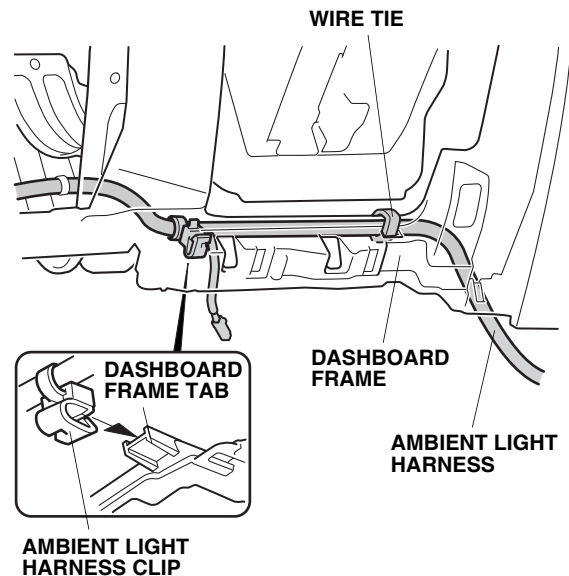


- Using three wire ties, secure the ambient light harness to the vehicle harness.

- Route the ambient light harness as shown, and attach the ambient light harness clip to the hole in the vehicle frame.

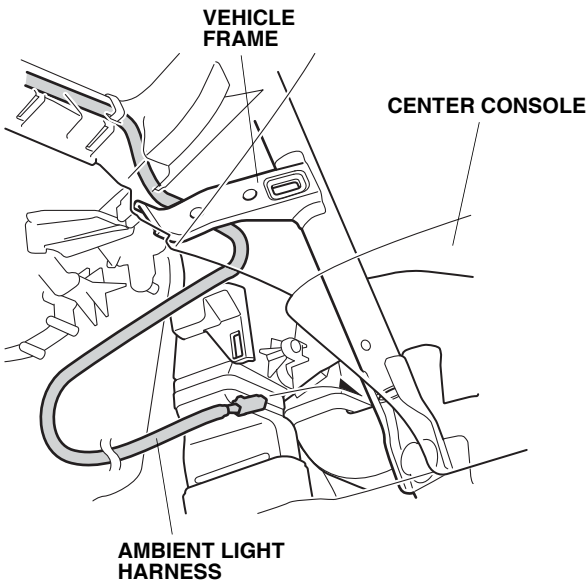


- Attach the remaining ambient light harness clip to the tab on the dashboard frame.

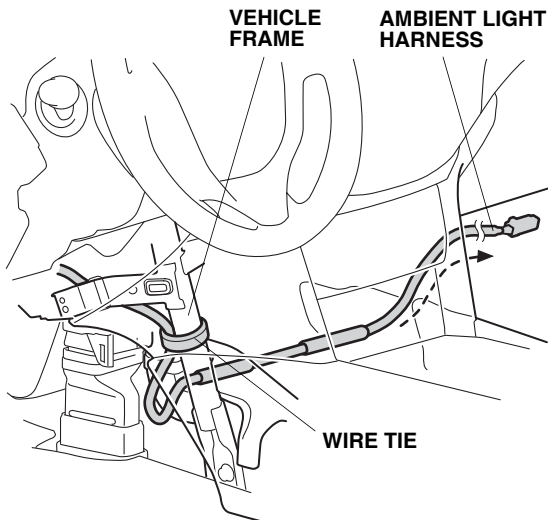


- Using one wire tie, secure the ambient light harness to the dashboard frame.

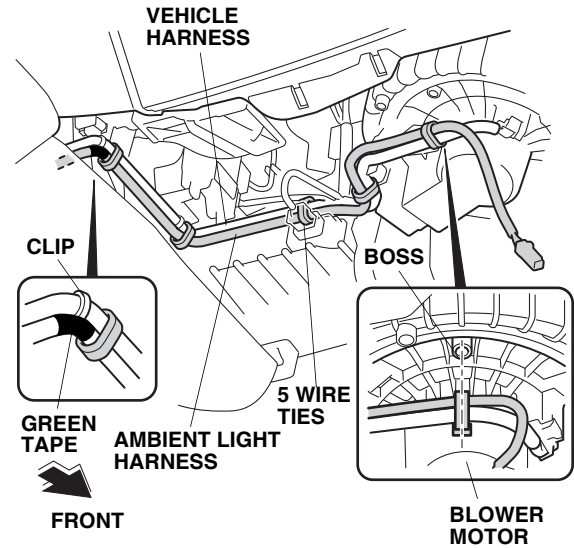
17. Route the ambient light harness into the center console.



18. Route the ambient light harness through the center console towards the passenger's side of the vehicle. Using one wire tie, secure the ambient light harness to the vehicle frame.

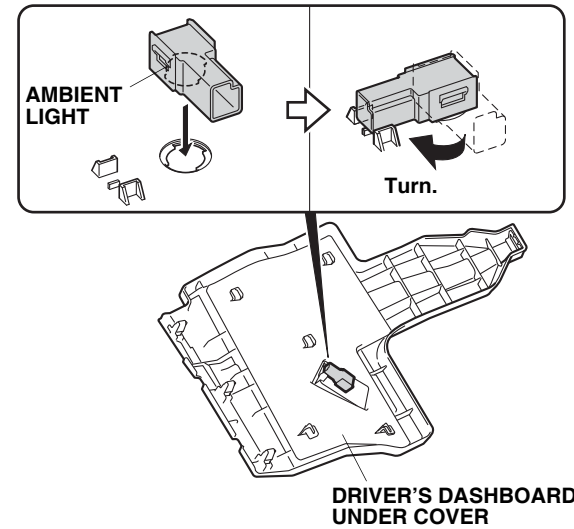


19. Continue routing the ambient light harness along the vehicle harness, and secure the ambient light harness to the vehicle harness using five wire ties.

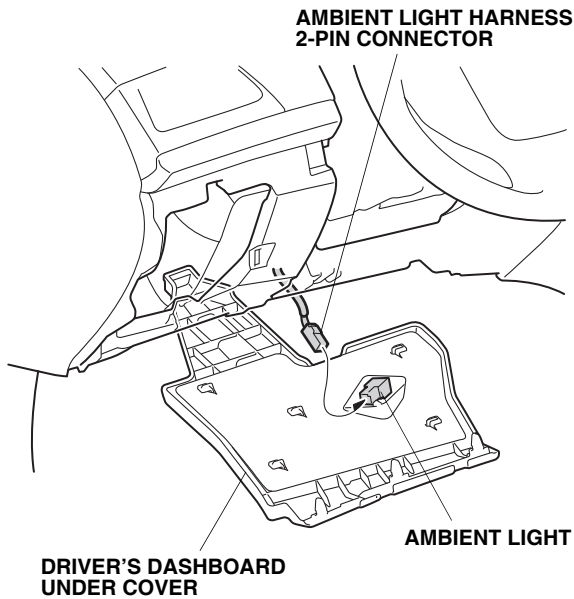


## Installing the Ambient Lights

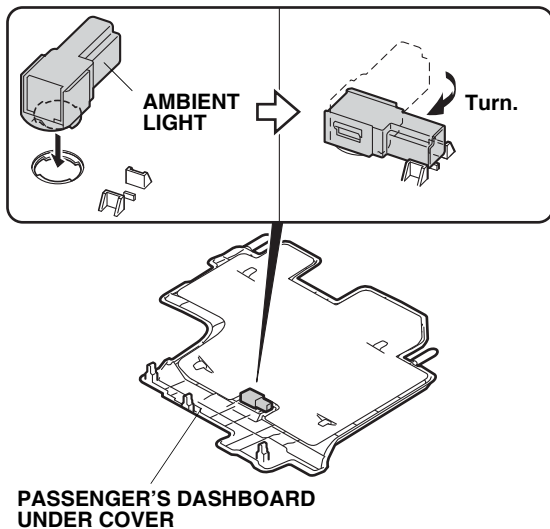
20. Install the ambient light to the driver's dashboard under cover.



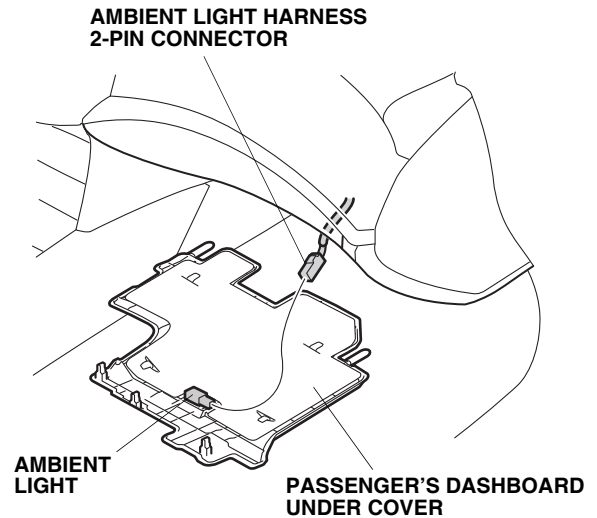
21. Plug the ambient light harness 2-pin connector into the ambient light, and reinstall the driver's dashboard under cover.



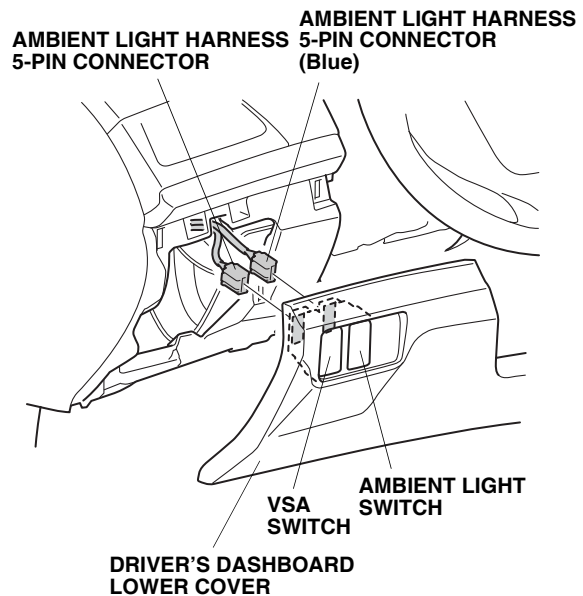
22. Install the ambient light to the passenger's dashboard under cover.



23. Plug the ambient light harness 2-pin connector into the ambient light, and reinstall the passenger's dashboard under cover.

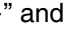



24. Plug the ambient light harness 5-pin connector (blue) into the ambient light switch, and plug the ambient light harness 5-pin connector to the VSA switch. Reinstall the driver's dashboard lower cover.



25. Check that all wire harnesses are routed properly and all connectors are plugged in.  
 26. Reinstall all removed parts.  
 27. Reconnect the negative cable to the battery.  
 28. Enter the radio and navigation (if equipped) anti-theft codes, and reset the radio station presets.  
 29. Reset the clock.

## HOW TO OPERATE

- Turn the headlight switch to the “” and “” position (headlights on low beam).
- Press the ambient light switch.

