



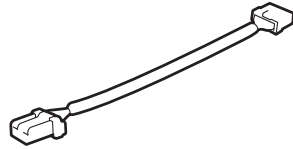
**INSTALLATION
INSTRUCTIONS**

<p>Accessory AUTOMATIC DAY/NIGHT MIRROR</p>	<p>Application 2010 ACCORD CROSSTOUR</p>	<p>Publications No. All 41936</p> <p>Issue Date NOV 2009</p>
--	---	--

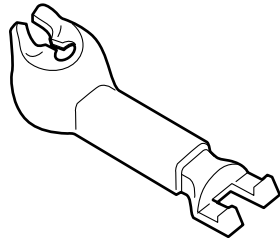
PARTS LIST

**Automatic Day/Night Mirror Attachment Kit
P/N 08V03-TP6-100D**

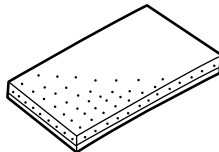
Harness



Harness cover

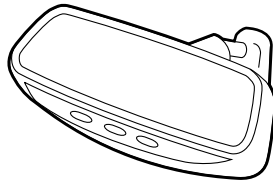


EPT sealer



**Automatic Day/Night Mirror Kit
P/N 08V03-TP6-100A**

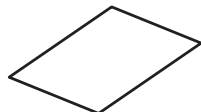
Automatic day/night mirror



Spring



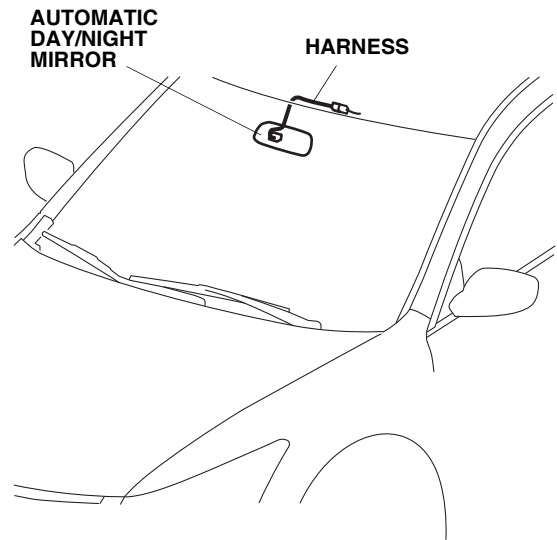
Operating Instructions



TOOLS AND SUPPLIES REQUIRED

- Flat-tip screwdriver
- Phillips screwdriver
- Isopropyl alcohol
- Shop towel
- Clip remover
- Flashlight
- Needle nose pliers
- Scissors
- Plastic Trim Tool (T/N SILTRIMTL10)

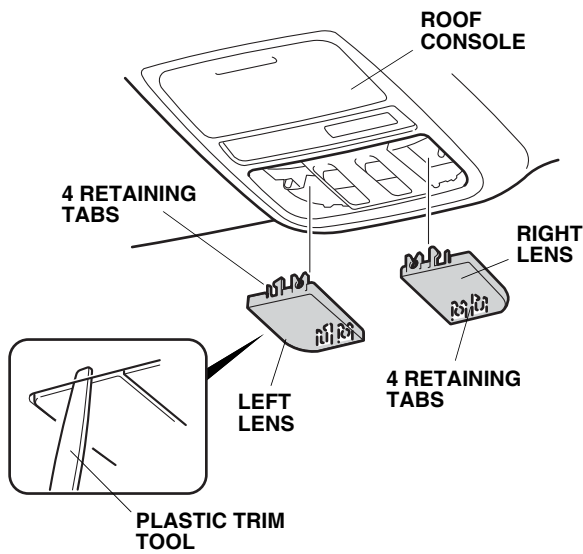
***Illustration of the Automatic Day/Night Mirror
Installed on the Vehicle***



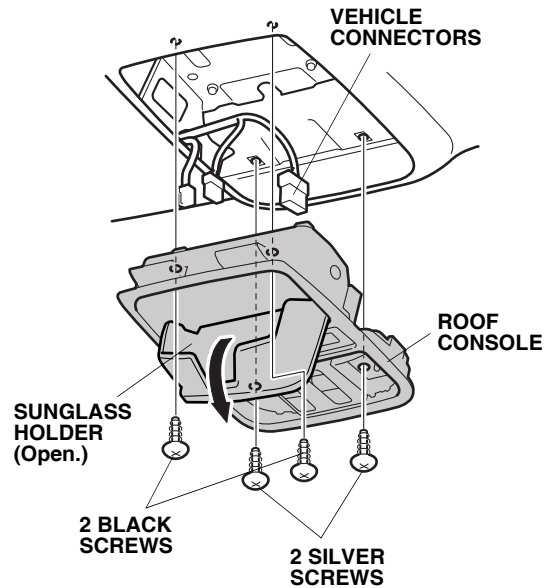
INSTALLATION

Customer Information: The information in this installation instruction is intended for use only by skilled technicians who have the proper tools, equipment, and training to correctly and safely add equipment to your vehicle. These procedures should not be attempted by “do-it-yourselfers.”

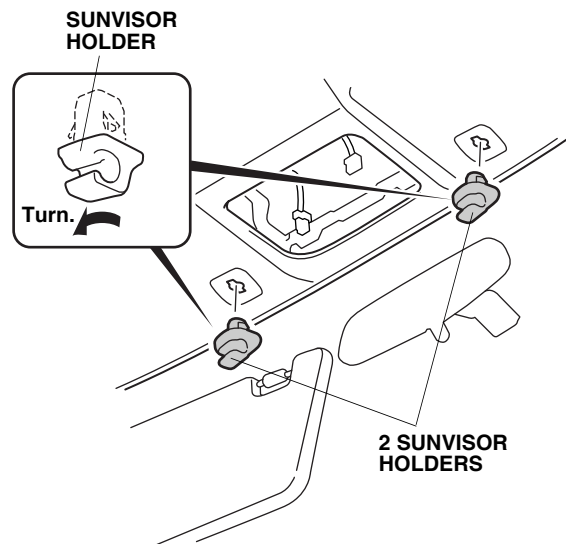
1. Make sure you have the anti-theft codes for the audio and navigation system (if equipped), then write down the radio station presets.
2. Disconnect the negative cable from the battery.
3. Using a plastic trim tool, disengage the eight retaining tabs and remove the left and right lenses from the roof console.



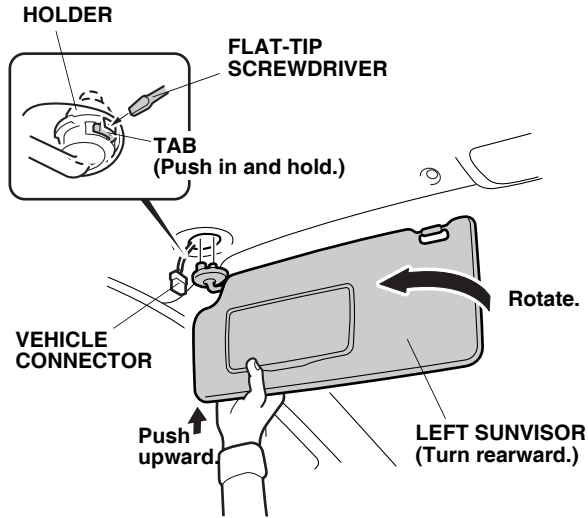
4. Open the sunglass holder. Remove the four screws (two black and two silver) and let the roof console drop down. Unplug the vehicle connectors and remove the roof console.



5. Remove the two sunvisor holders by turning them 45°.

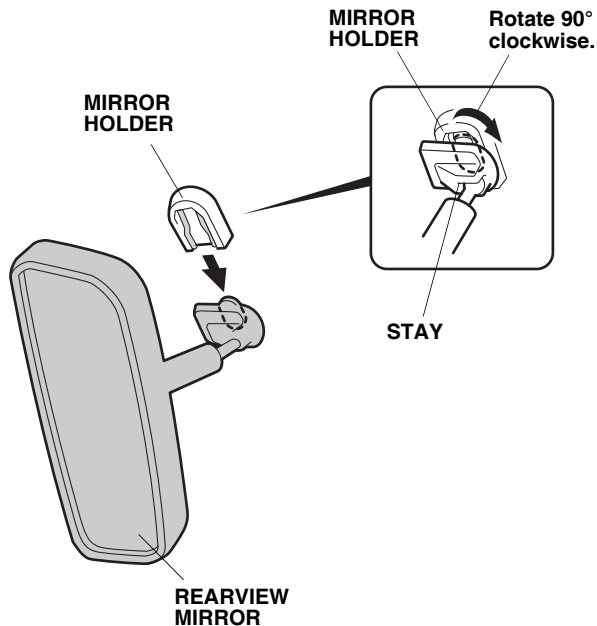


6. Turn the left sunvisor toward the driver's seat.

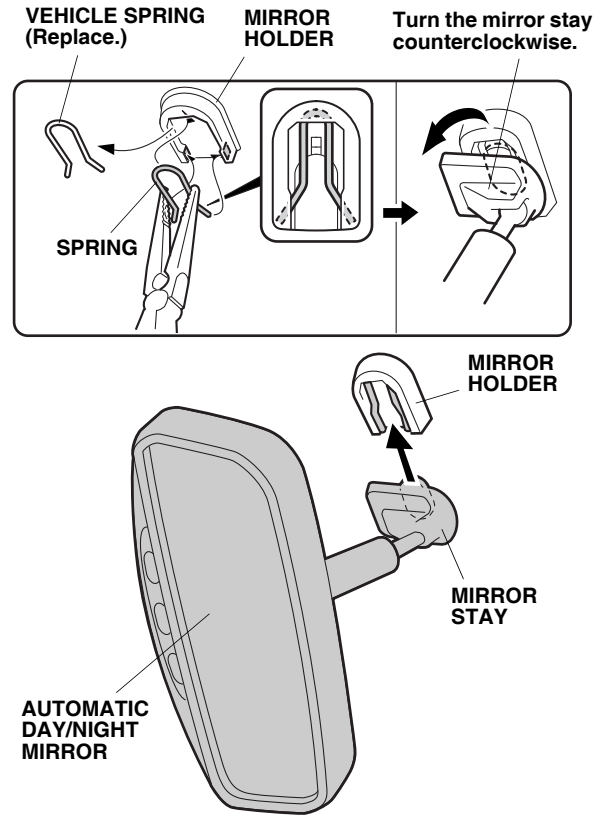


7. Locate the slot in the sunvisor holder, and insert a flat-tip screwdriver into the slot. Push in and hold the tab.
8. While holding the tab, push up on the left sunvisor and rotate it towards the door. Unplug the vehicle connector and remove the left sunvisor.
- NOTE:** If the tab did not stay pushed in, return the left sunvisor to its original position and repeat steps 6 through 8.

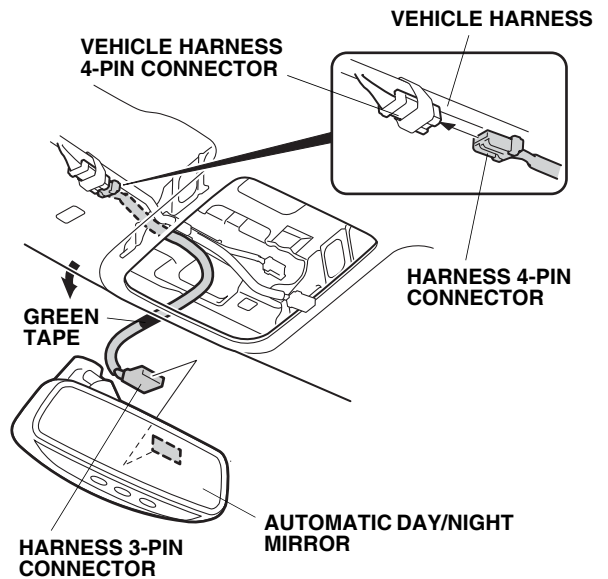
9. Remove the rearview mirror from the mirror holder by rotating the stay 90° clockwise.



10. Replace the spring. Slide the automatic day/night mirror stay onto the mirror holder, then turn the mirror stay counterclockwise as shown.



11. Plug the 4-pin connector end of the harness into the vehicle harness 4-pin connector.



12. Plug the harness 3-pin connector into the rear of the automatic day/night mirror.

