



## INSTALLATION INSTRUCTIONS

Accessory  
FRONT UNDER SPOILERS  
P/N 08F01-TBA-100

Application  
2016 CIVIC

Publications No.  
**VERSION 1**  
Issue Date  
**OCT 2015**

### PARTS LIST

Left front under spoiler



Right front under spoiler



Template



2 Spring nuts



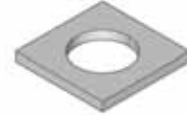
2 Self-tapping screws



2 Female clips



4 Seals



2 Alcohol swabs



### TOOLS AND SUPPLIES REQUIRED

Phillips screwdriver

Flat-tip screwdriver

Pushpin

Drill

3 mm, 6 mm, 8 mm, and 10 mm Drill bits

File

Masking tape

Diagonal cutters

Shop towel

Eye protection (face shield, safety goggles, etc.)

Blanket

Ruler

5 mm Hex wrench

Tape

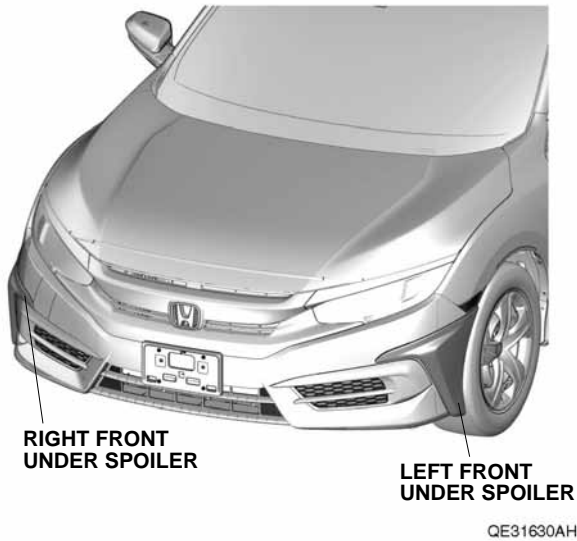
Ratchet

10 mm Socket

*The following tools are available through the Honda Tool and Equipment Program. On the iN, click on: Service > Service Bay > Tool and Equipment Program, then enter the number under "Search". Or, call 888-424-6857.*

- Rubber Roller (T/N MHLE54D)
- Trim Tool Set (T/N SOJATP2014)

## Illustration of the Front Under Spoilers on the Vehicle



## INSTALLATION

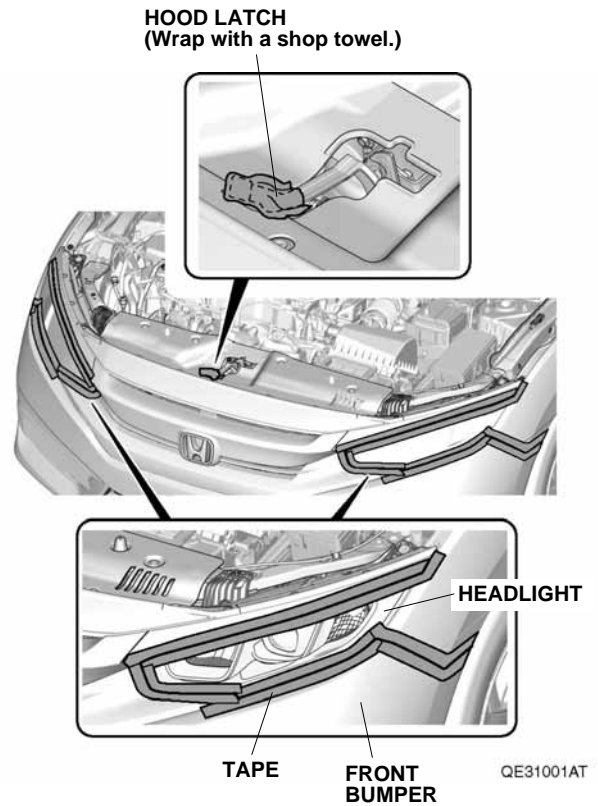
**Customer Information:** The information in this installation instruction is intended for use only by skilled technicians who have the proper tools, equipment, and training to correctly and safely add equipment to your vehicle. These procedures should not be attempted by "do-it-yourselfers."

### NOTE:

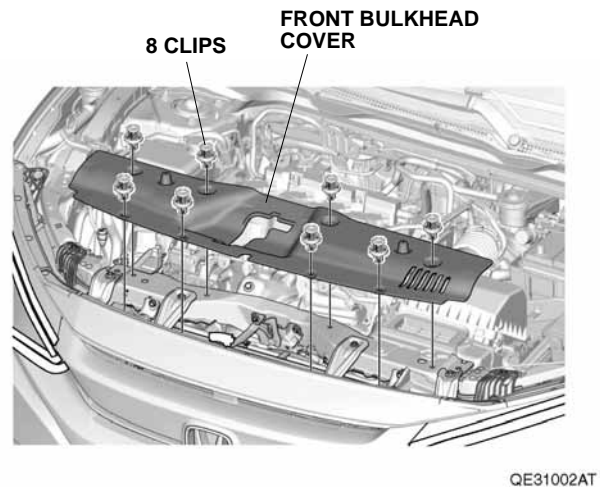
- Be careful not to damage the body paint finish.
- This front under spoiler kit should be installed only if the ambient air temperature is 15°C (60°F) or above.
- To allow the adhesive to cure, do not wash the vehicle for 24 hours. Make sure your customer is aware of this.

1. Disconnect the negative cable from the battery.

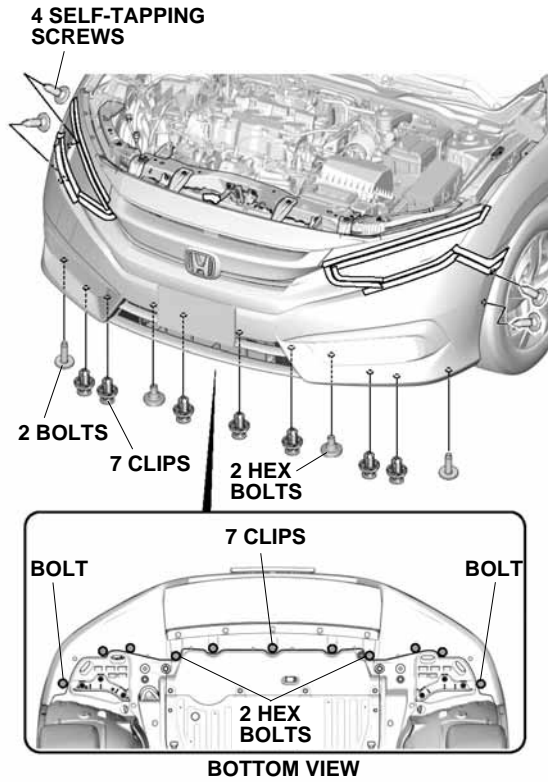
2. Remove the front bumper:
  - Attach tape to the areas shown on each side.
  - Wrap a shop towel around the hood latch.



- Remove the front bulkhead cover.

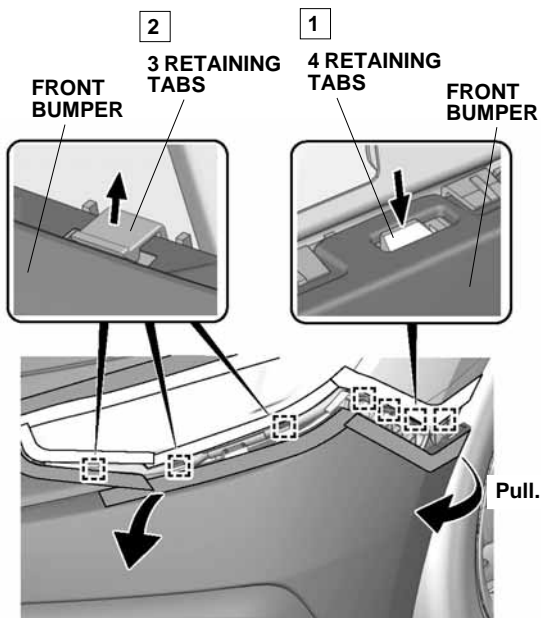


- Remove four self-tapping screws, two bolts, two hex bolts, and seven clips.



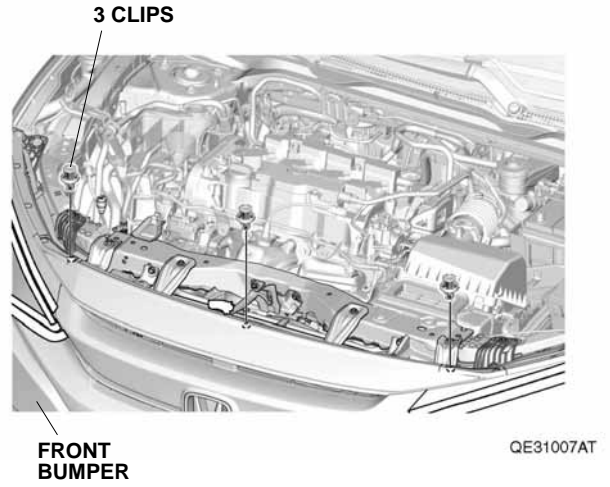
QE31003AT

- With the help of an assistant, release the seven retaining tabs on each side.  
NOTE: Remove the retaining tabs from the outside edge in the order shown. Make sure to remove the retaining tabs in the correct direction.



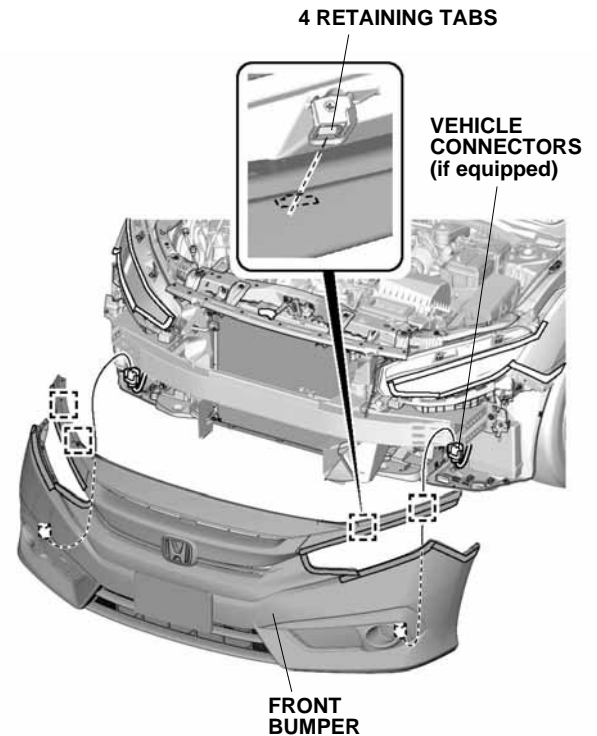
QE31004CT

- Remove the three clips.



QE31007AT

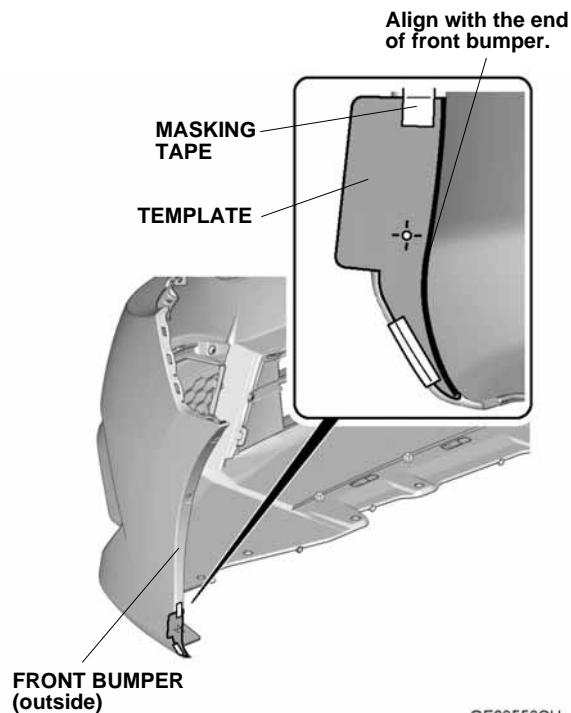
- With the help of an assistant, remove the front bumper. Place the front bumper on a blanket to prevent damage.



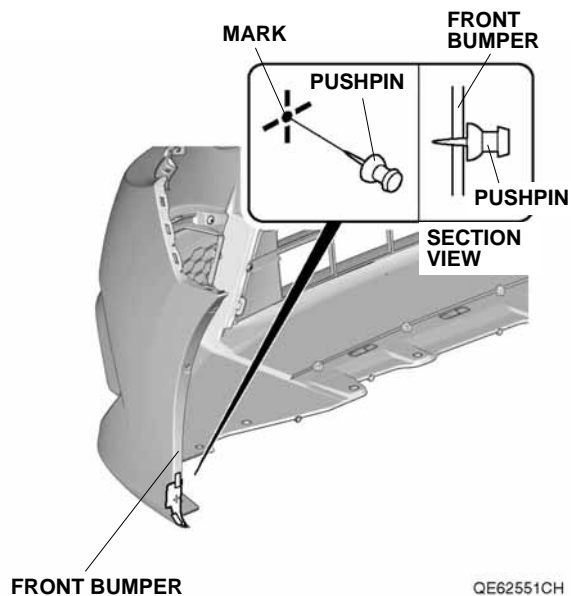
QE31005BT

## Installing the Front Under Spoilers

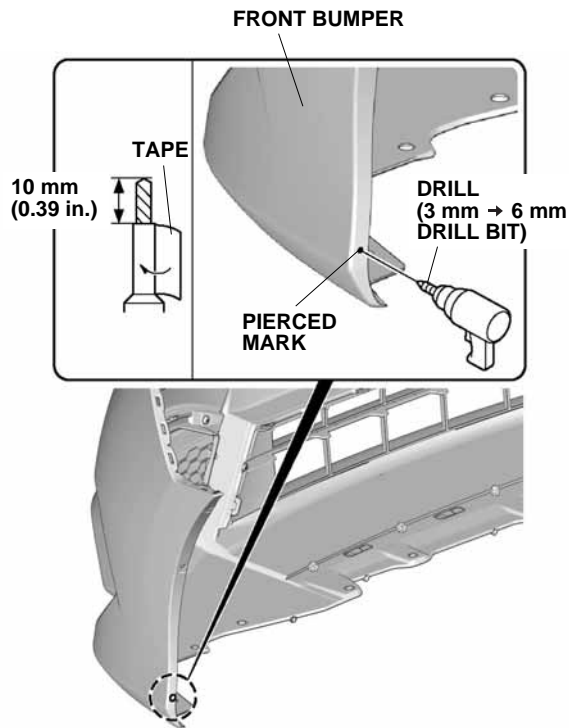
- Align the template with the front bumper as shown. Attach the template to the front bumper with masking tape.



- Using a pushpin, pierce the center of the template.

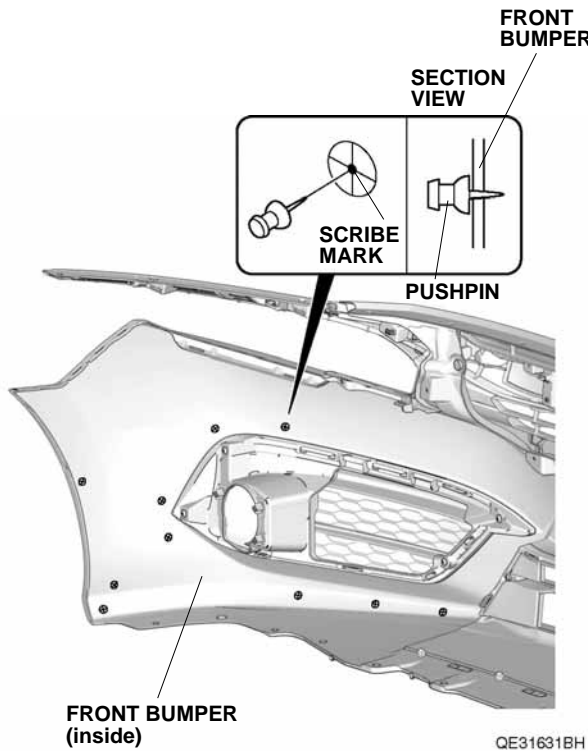


- Remove the template.
- While wearing eye protection, drill the pierced mark to 6 mm.
  - Wrap tape around each drill bit 10 mm (0.39 in.) away from the tip or use a drill stop.
  - First, drill with a 3 mm drill bit, then finish with a 6 mm drill bit.

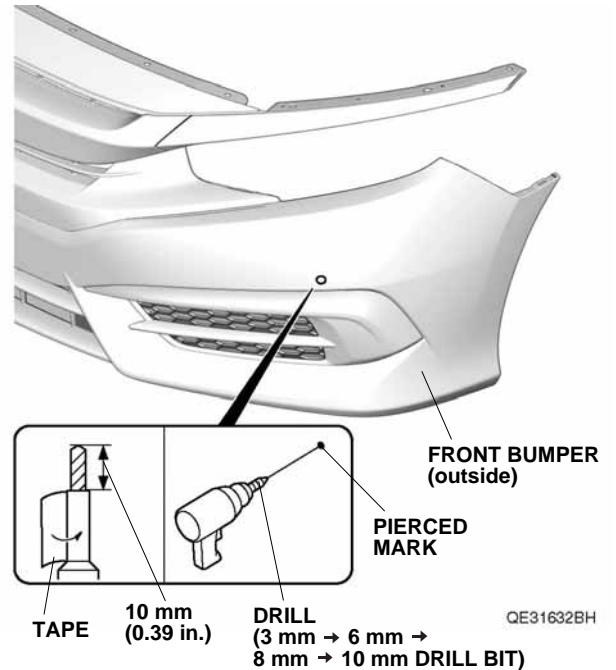


- Using a file, remove any burrs from the hole.

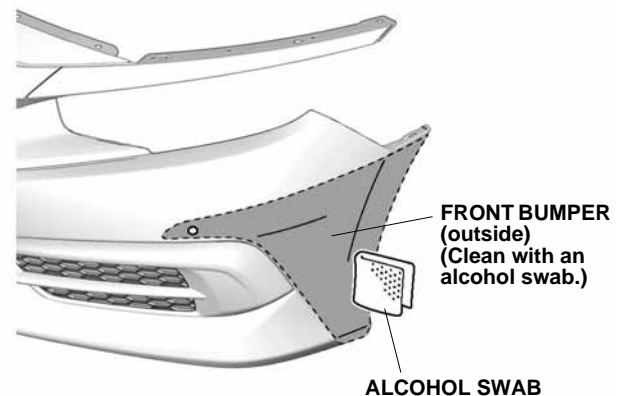
8. Using a pushpin, pierce one scribe mark on the front bumper as shown.



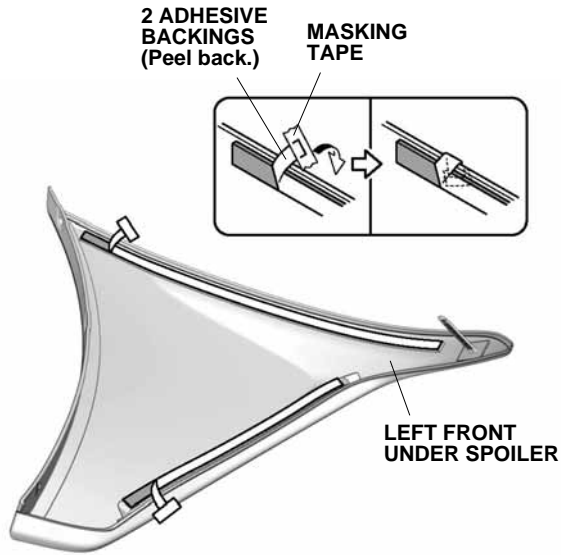
9. While wearing eye protection, drill the pierced mark to 10 mm.
- Wrap tape around each drill bit 10 mm (0.39 in.) away from the tip or use a drill stop.
  - First, drill with a 3 mm drill bit, a 6 mm drill bit, a 8 mm drill bit, and finish with a 10 mm drill bit.



10. Using a file, remove any burrs from the hole.
11. Using an alcohol swab, thoroughly clean the area where the left front under spoiler will attach.

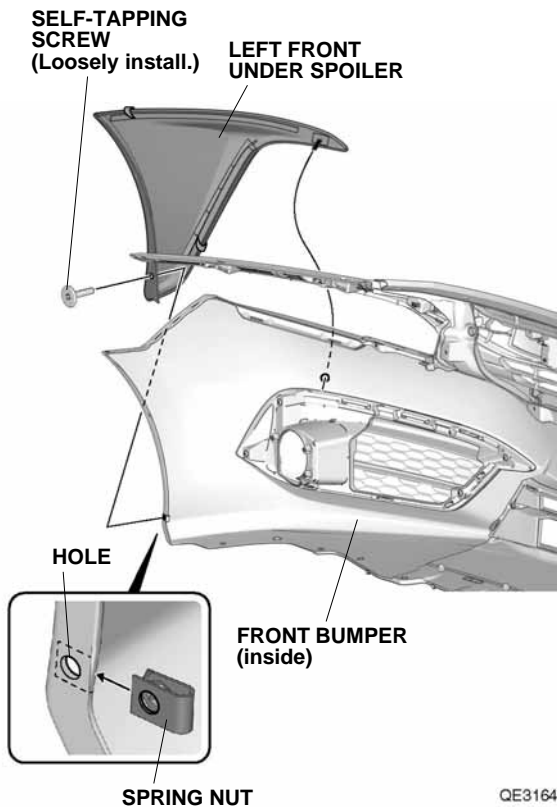


12. Peel back the adhesive backings, and tape them to the front surface of the left front under spoiler with masking tape.



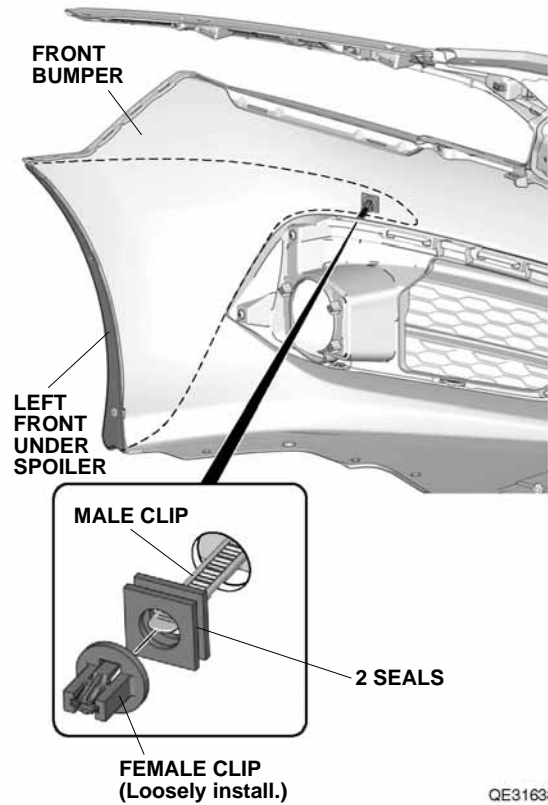
QE31642AH

13. Install one spring nut over the hole in the front bumper in the direction shown. Install the left front under spoiler to the front bumper and loosely install one self-tapping screw into the spring nut.



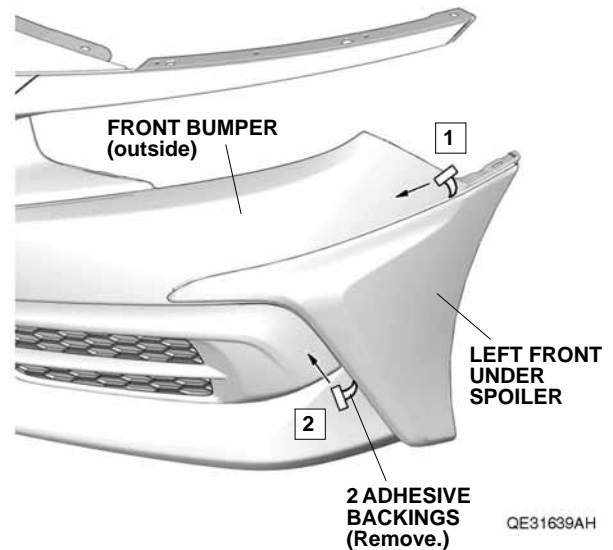
QE31643AH

14. Install two seals to the male clip and loosely install the female clip on the male clip.



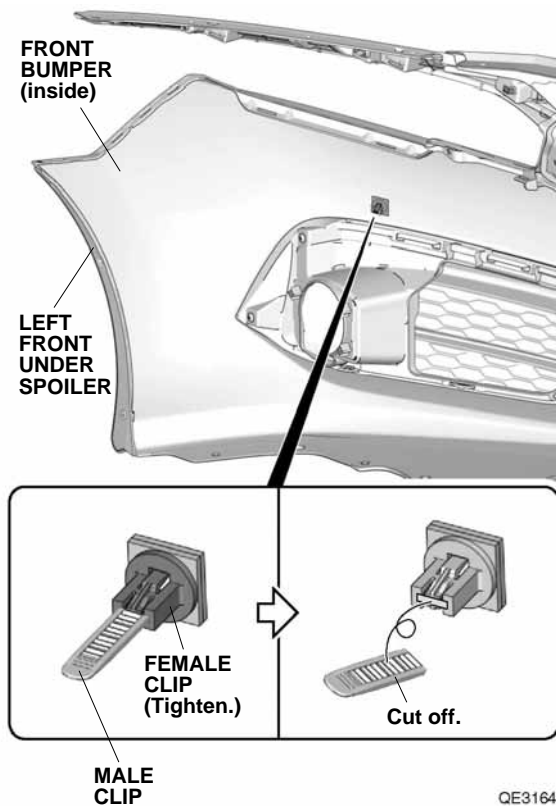
QE31638BH

15. Remove two adhesive backings in the order shown. Press the left front under spoiler firmly against the front bumper with the palms of your hands to secure the left front under spoiler.



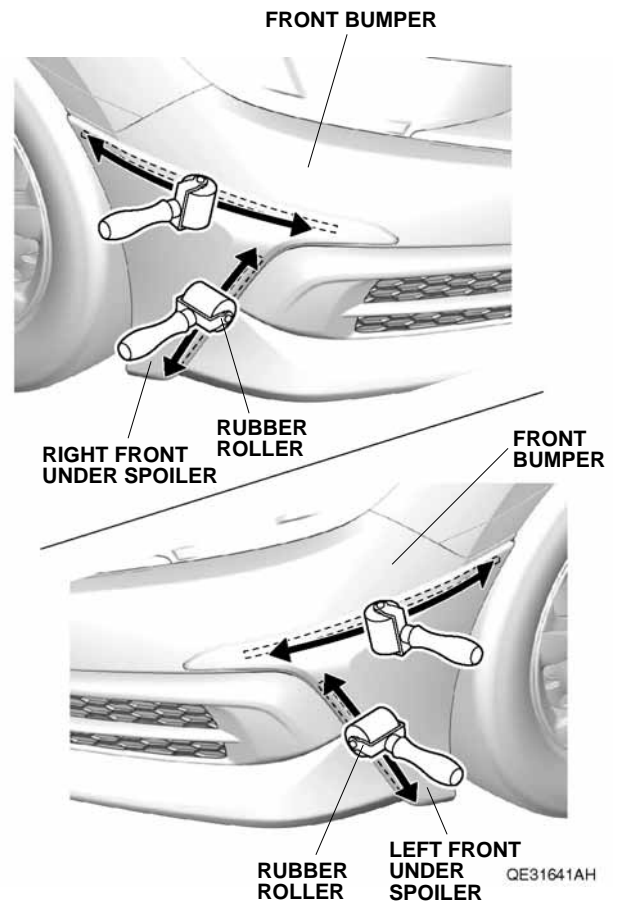
QE31639AH

16. Tighten the female clip loosely installed in step 14.  
NOTE: Do not push the female clip too tightly, or it may deform the left front under spoiler. Readjust the female clip if necessary.



17. Using diagonal cutters, cut the excess off of the male clip. Tighten the self-tapping screw loosely installed in step 13.
18. Turn the template over and repeat steps 3 through 17 to install the right front under spoiler.

19. With the help of an assistant, reinstall the front bumper.



20. Using a rubber roller, apply firm pressure while rolling, especially at the ends, to set the adhesive.
21. Check that all wire harnesses are routed properly and all connectors are plugged in.
22. Install all removed parts.
23. Connect the negative cable to the battery.
24. Press and hold the audio unit power button for 2 seconds to restore the audio and navi (if equipped) system functions.
25. Set the clock.
26. If necessary, restore the systems back to normal operation as described in the service information.