



INSTALLATION INSTRUCTIONS

Accessory
SIDE UNDER SPOILERS
P/N 08F04-TS8-100A

Application
2015 CIVIC
2-DOOR

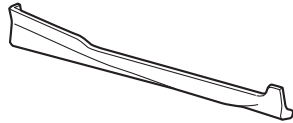
Publications No.
VERSION 2
Issue Date
DEC 2014

PARTS LIST

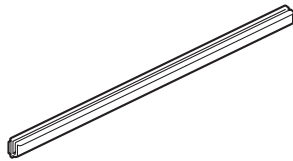
Left spoiler



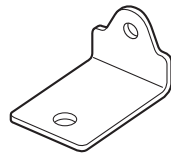
Right spoiler



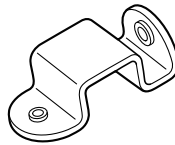
2 Rails



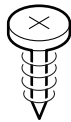
2 Brackets A



2 Clamps



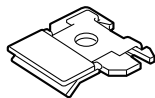
4 Self-tapping screws



2 Bracket screws



4 Flare nuts



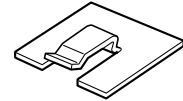
2 Washer-nuts



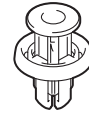
2 Bolts



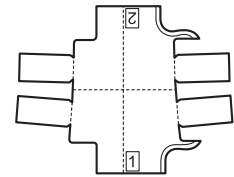
2 Brackets B



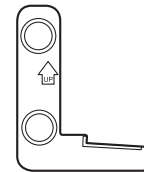
2 Clips



Template A



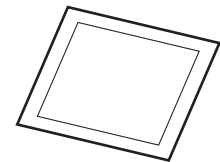
Template B



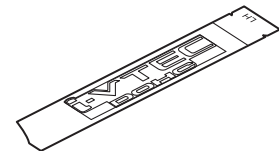
2 Washers



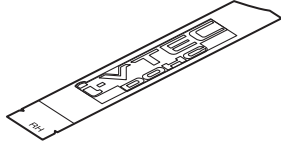
4 Alcohol swabs



Left side sticker
(sold separately for Si model)



Right side sticker
(sold separately for Si model)



TOOL AND SUPPLIES REQUIRED

Phillips screwdriver
Isopropyl alcohol
Shop towel
Masking tape
Scissors
Ruler
Tape measure
Soap
Ratchet
10 mm Socket
10 mm Open end wrench
Felt-tip pen
Utility knife
Touch-up paint
Dryer
Spray bottle
Applicator
3M Protective tape application solution
Torque wrench

The following tool is available through the Honda Tool and Equipment Program. On the iN, click on: Service > Service Bay > Tool and Equipment Program, then enter the number under "Search". Or, call 888-424-6857.

- Rubber Roller (T/N MHLE540)

INSTALLATION

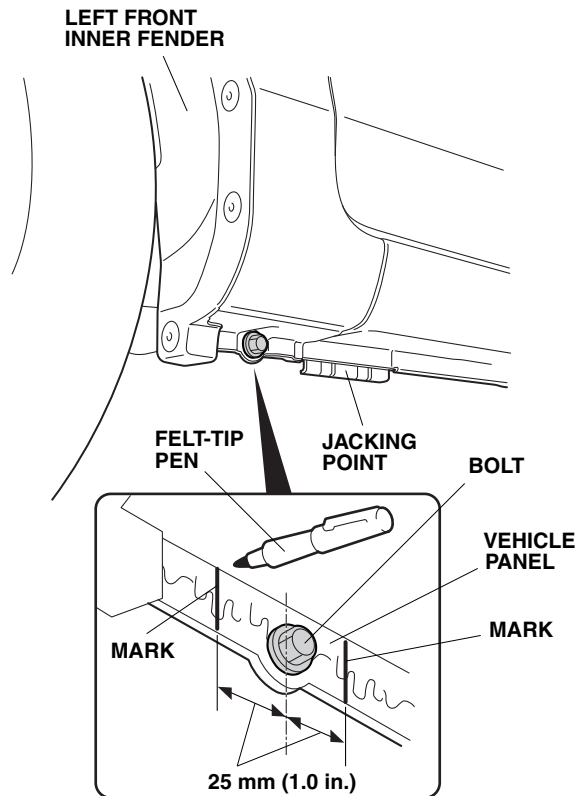
Customer Information: The information in this installation instruction is intended for use only by skilled technicians who have the proper tools, equipment, and training to correctly and safely add equipment to your vehicle. These procedures should not be attempted by "do-it-yourselfers."

NOTE:

- These instructions show the left spoiler being installed. The same procedure applies to installing the right spoiler.
- Be careful not to damage the body paint finish.
- Thoroughly clean the bottom of the body from the rear of the front wheels to the front of the rear wheels.
- This side under spoilers kit should be installed only if the ambient air temperature is 15°C (60°F) or above.
- To allow the adhesive to cure, do not wash the vehicle for 24 hours. Please advise the customer.

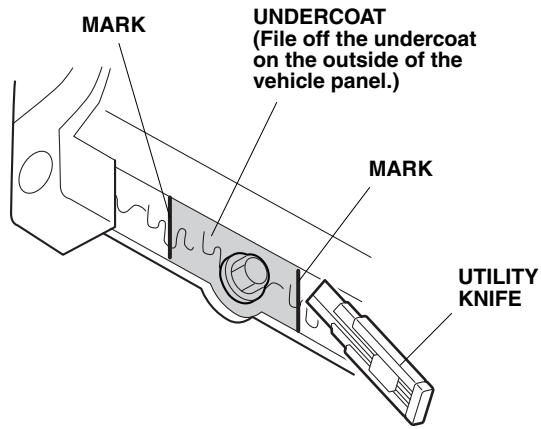
Installing the Spoilers

1. Using a felt-tip pen, mark the vehicle panel as shown.



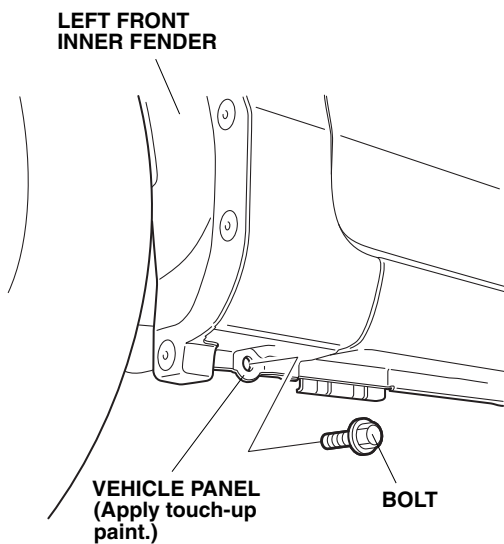
Q002205AT

2. Using a utility knife, remove the undercoat as shown.



Q002206AT

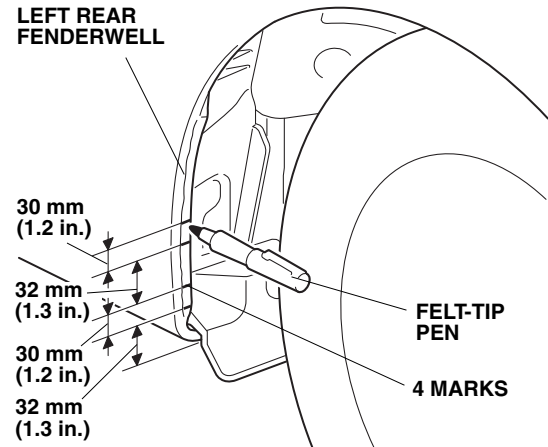
3. Remove the bolt from the vehicle panel.



Q002207AT

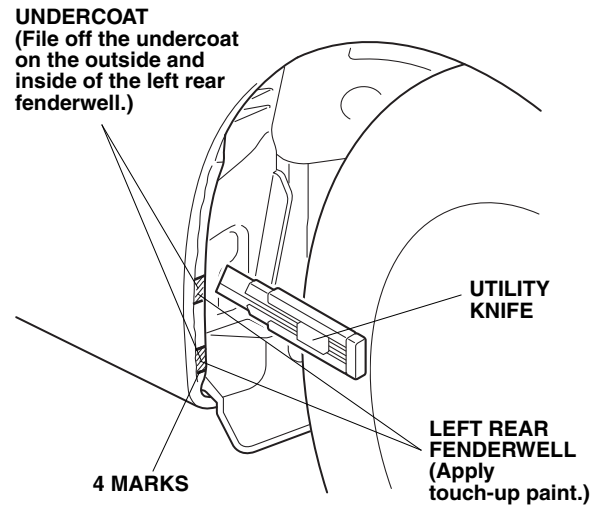
4. Apply touch-up paint to the area where the undercoat is removed, and allow it to dry thoroughly.

5. Using a felt-tip pen, mark the left rear fenderwell as shown.



QC61526AT

6. Using a utility knife, remove the undercoat as shown.

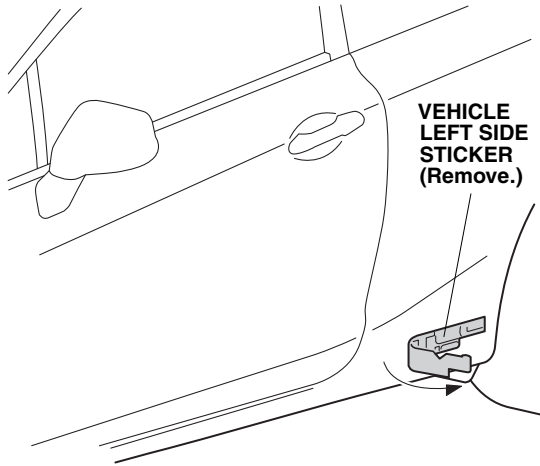


QC61527AT

7. Apply touch-up paint to the area where the undercoat is removed, and allow it to dry thoroughly.

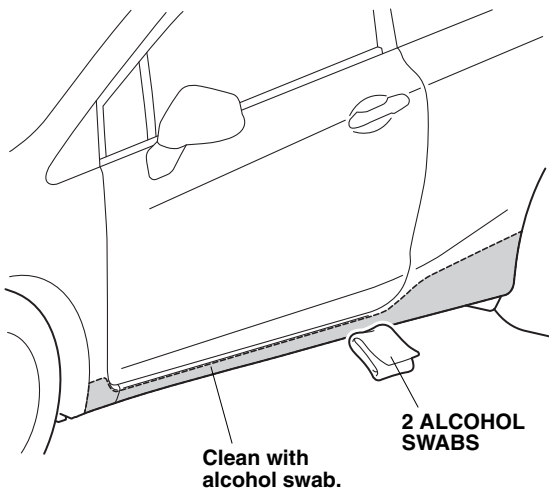
For Si model, see step 8. For other models, go to step 9.

8. Remove the vehicle left side sticker.



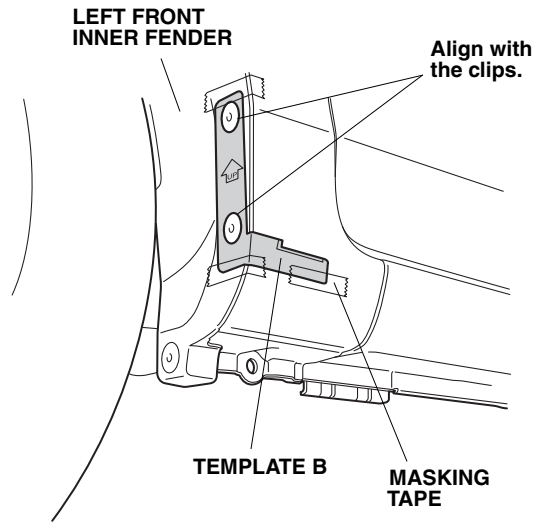
Q0N1127AJ

9. Using two alcohol swabs, thoroughly clean the area where the left spoiler will attach.



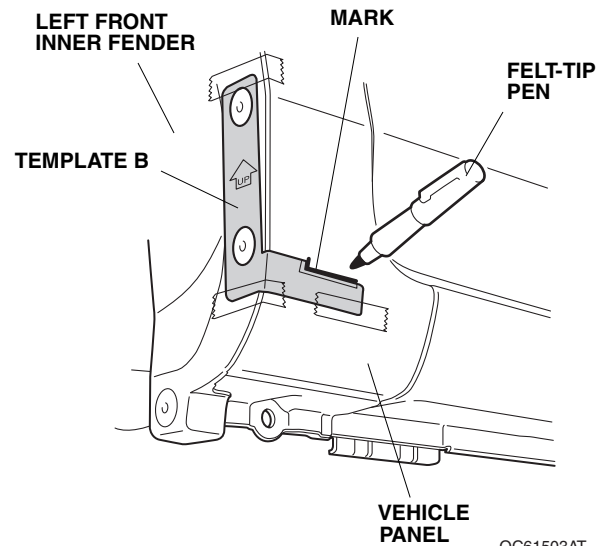
QC61501AT

10. Align template B with two clips, and attach template B using strips of masking tape.



QC61502AT

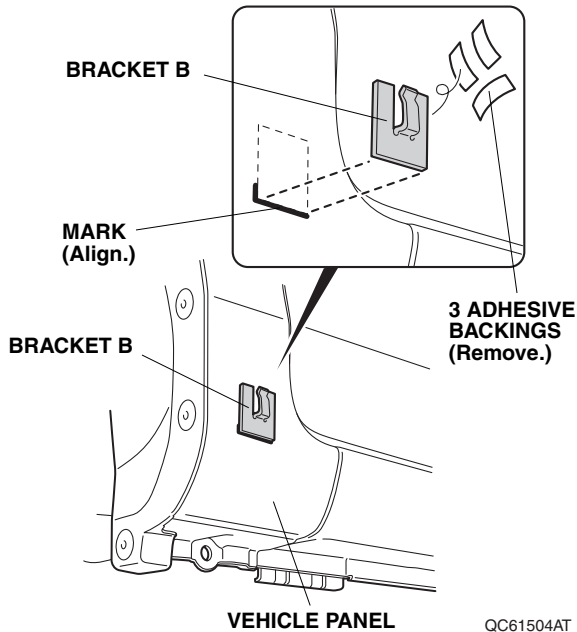
11. Using a felt-tip pen, mark the vehicle panel as shown.



QC61503AT

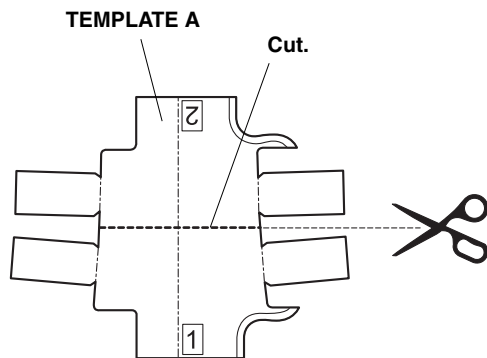
12. Remove template B.
NOTE: Do not damage the template. It is also used on the right side of the vehicle.

13. Remove three adhesive backings from a bracket B.

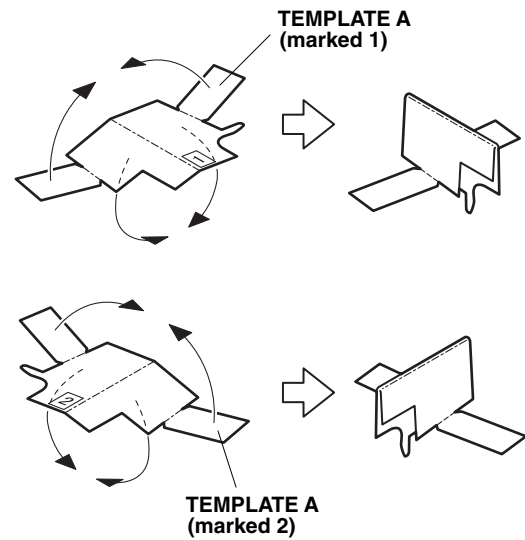


14. Align bracket B with the mark made in step 11, and attach it to the vehicle panel. Press on the adhesive part of bracket B firmly.

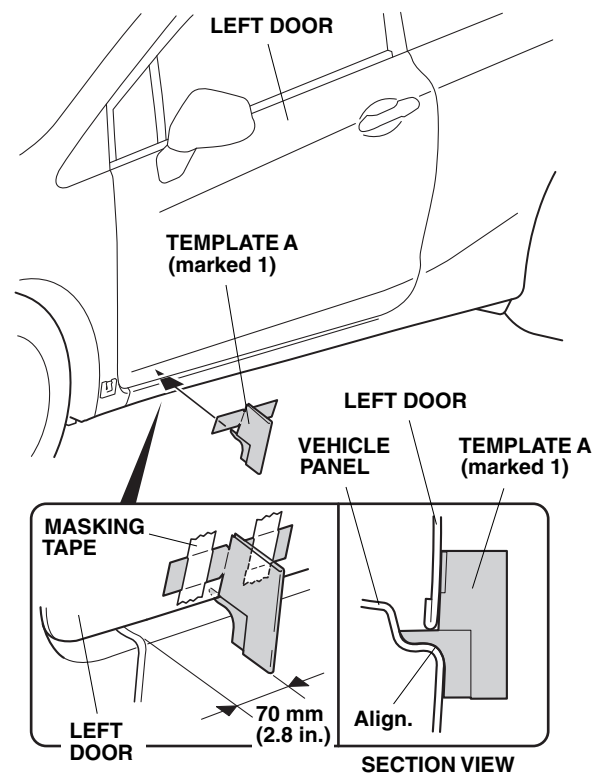
15. Cut template A.



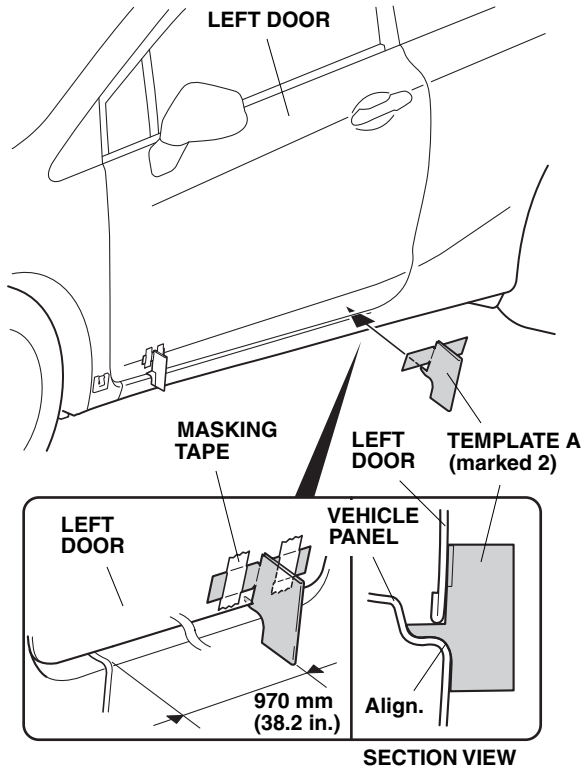
16. Fold template A as shown.



17. Place template A (marked 1) into position as shown. While aligning template A (marked 1) with the vehicle panel by lightly pushing down, attach template A (marked 1) to the left door using strips of masking tape. Make sure there is no gap between the template and the vehicle panel.

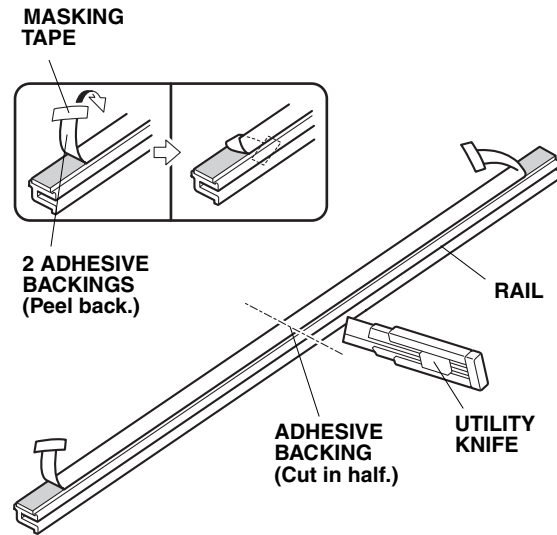


18. Place template A (marked 2) into position as shown. While aligning template A (marked 2) with the vehicle panel by lightly pushing down, attach template A (marked 2) to the left door using strips of masking tape. Make sure there is no gap between the template and the vehicle panel.



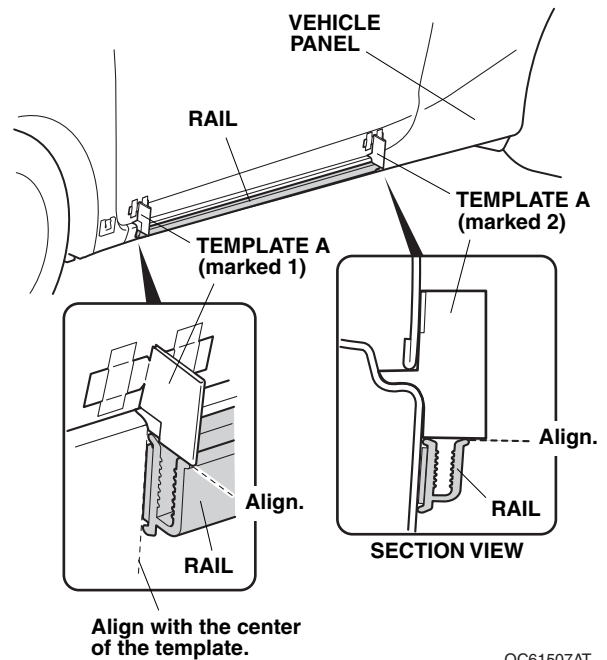
Q0N1105CJ

19. Get the rail. Using a utility knife, cut the adhesive backing in half.



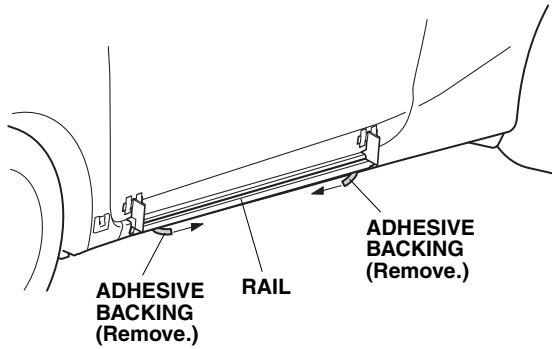
QC61506AT

20. Peel back about 40 to 50 mm (1.6 to 2.0 in.) of adhesive backing from each adhesive strip, and tape the ends to the front surface of the rail.
21. While holding the templates against the vehicle panel, align the rail to the templates as shown. Attach the rail to the vehicle panel.



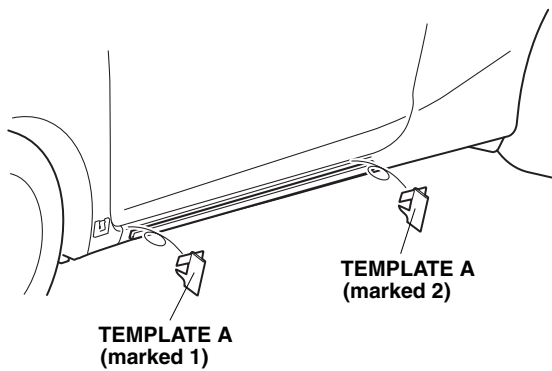
QC61507AT

22. While making sure that the rail is aligned with the templates, carefully remove the adhesive backings.



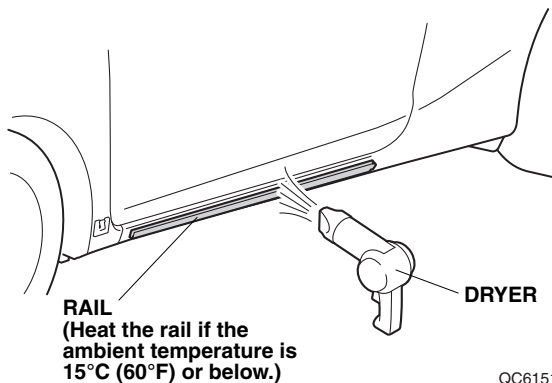
QC61508AT

23. Remove both templates A.
NOTE: Do not damage the templates. They are also used on the right side of the vehicle.



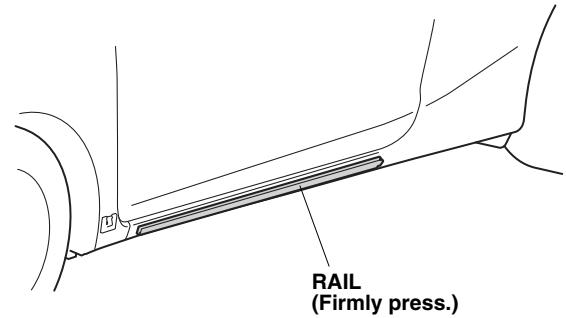
QC61509AT

24. If the ambient air temperature is 15°C (60°F) or below, use a dryer to heat the surface of the rail to 15 - 40°C (60 - 104°F). The rail may not adhere to the vehicle otherwise.



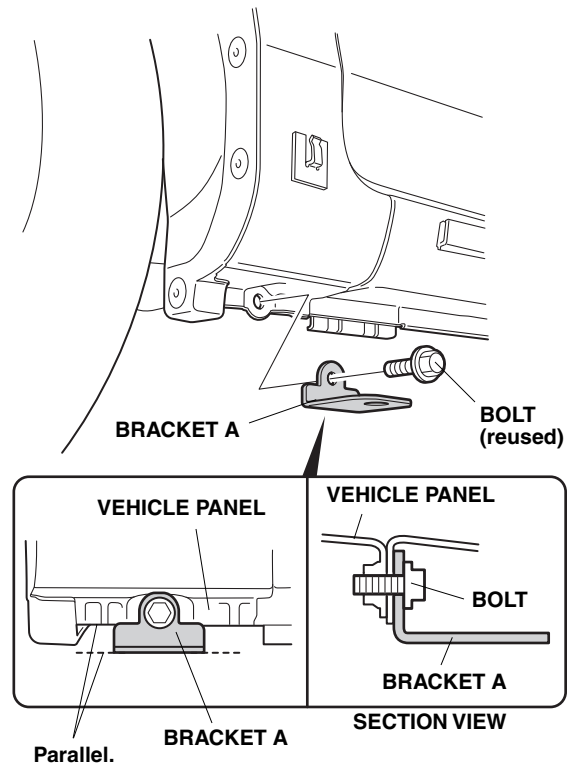
QC61510AT

25. Using the palm of your hand, firmly press the rail against the vehicle panel.



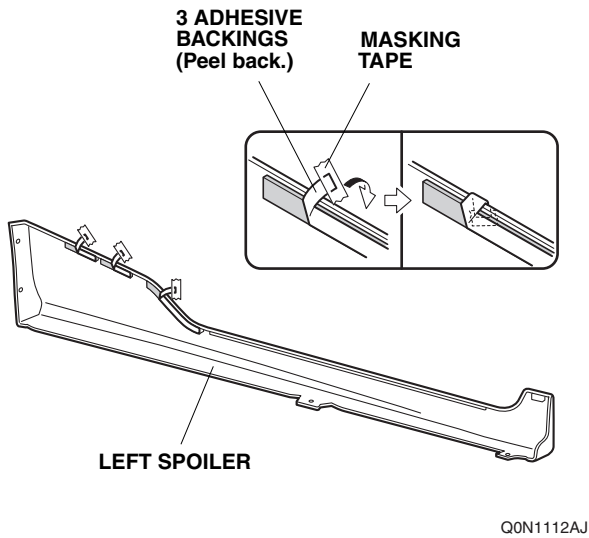
QC61511AT

26. Secure a bracket A to the vehicle panel with one bolt.
Torque the bolt to 10 N·m (1.0 kgf·m, 7.4 lbf·ft).

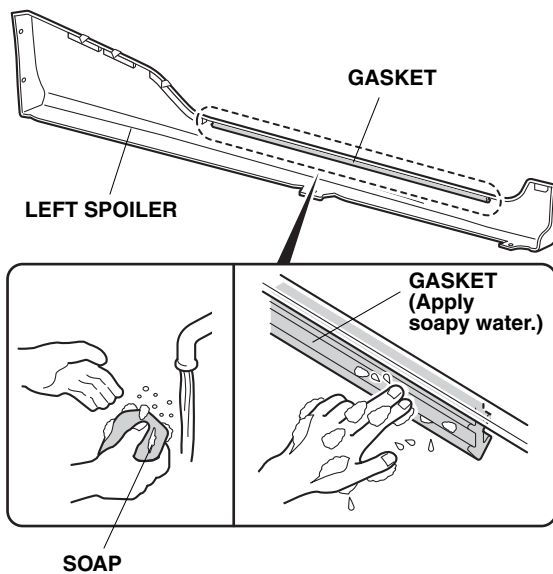


QC61512AT

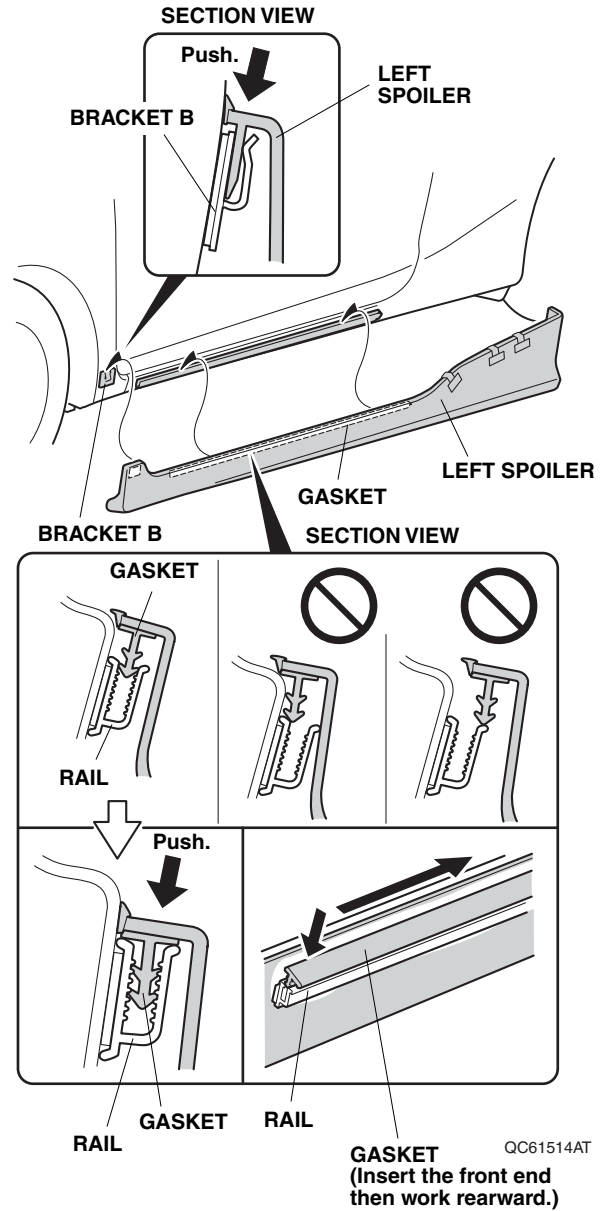
27. Peel back about 40 to 50 mm (1.6 to 2.0 in.) of adhesive backing from each adhesive strip, and tape the ends to the front surface of the left spoiler.



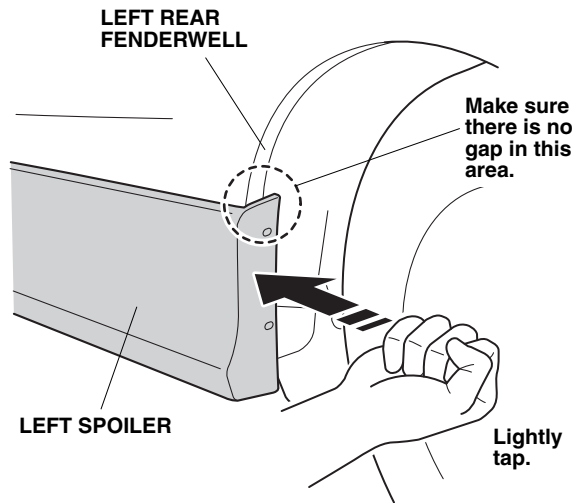
28. Using your hand, apply soapy water to the gasket on the left spoiler.
- NOTE: Do not use organic solvent (e.g. thinner, benzene, gasoline, etc.), acid or alkaline solution.



29. Align the gasket on the left spoiler to the rail. Insert the front end of the gasket to the rail first, then work rearward.
- Move the left spoiler softly up and down, and check that the gasket is installed securely to the rail.

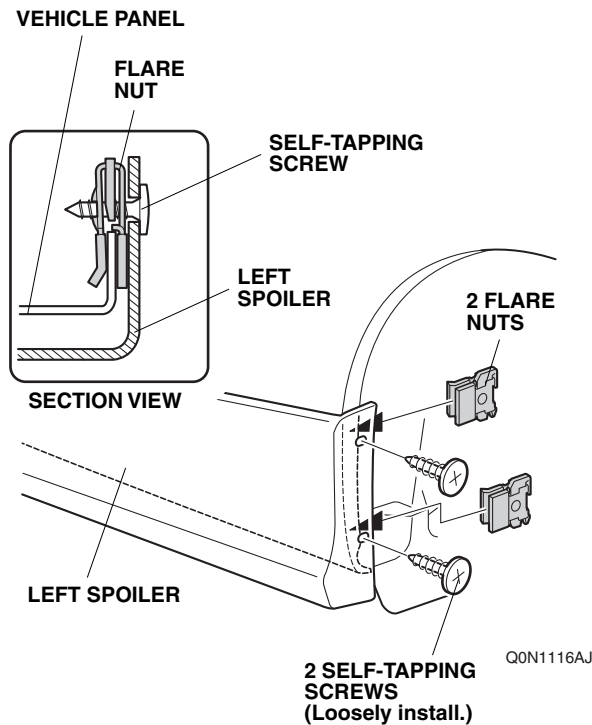


30. Lightly tap the left spoiler to make sure that there is no gap between the left spoiler and the left rear fenderwell.



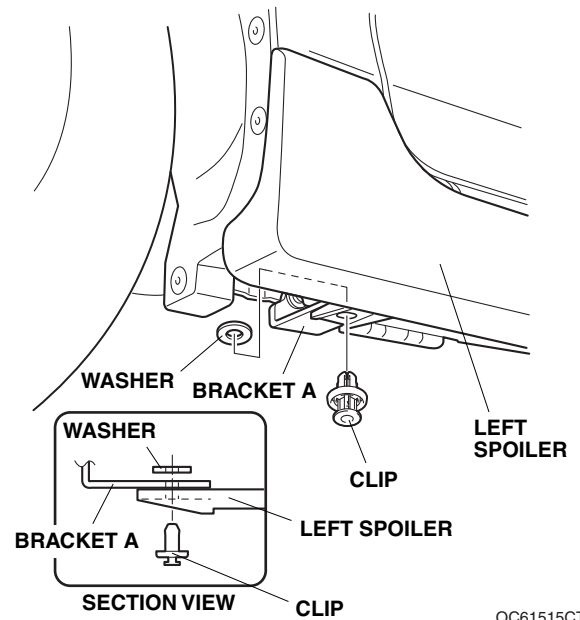
Q0N115AJ

31. Loosely install two flare nuts and two self-tapping screws. Make sure to install the flare nuts in the correct position and orientation.



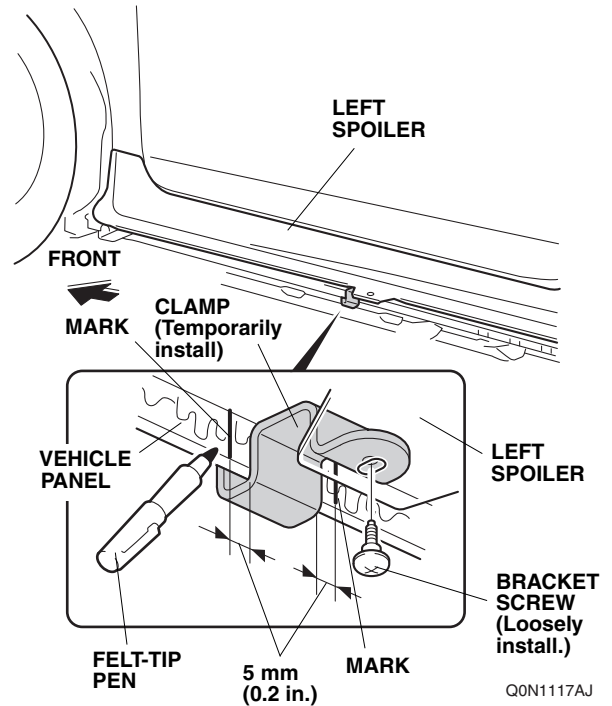
Q0N116AJ

32. Secure the left spoiler to bracket A with one clip and one washer.



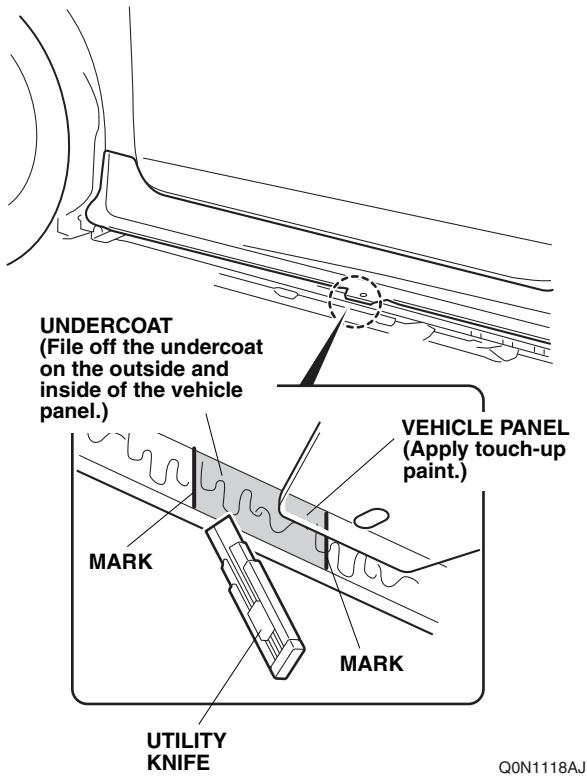
QC61515CT

33. Temporarily install one clamp and one bracket screw.

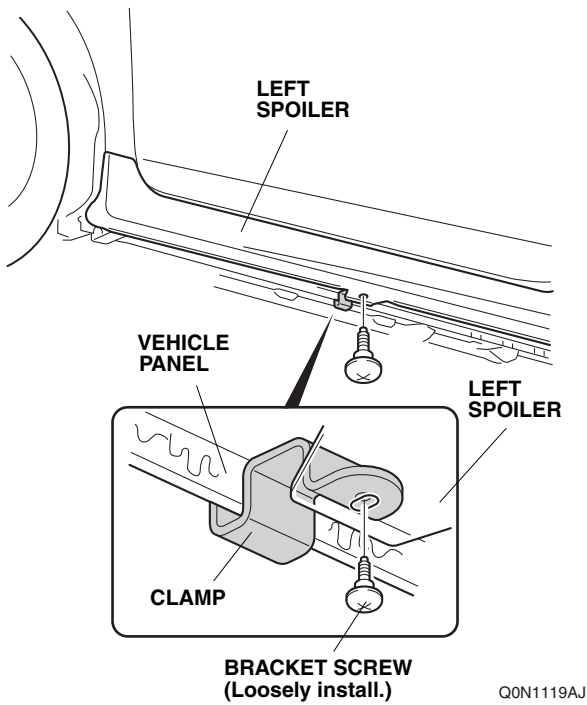


Q0N117AJ

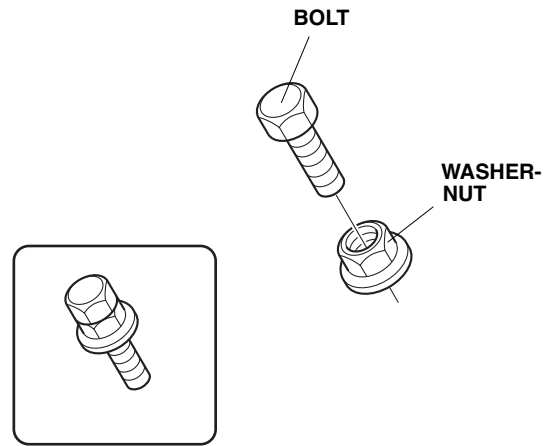
34. Using a felt-tip pen, mark the vehicle panel as shown.
 35. Remove one clamp and one bracket screw.
 36. Using a utility knife, remove the undercoat as shown.



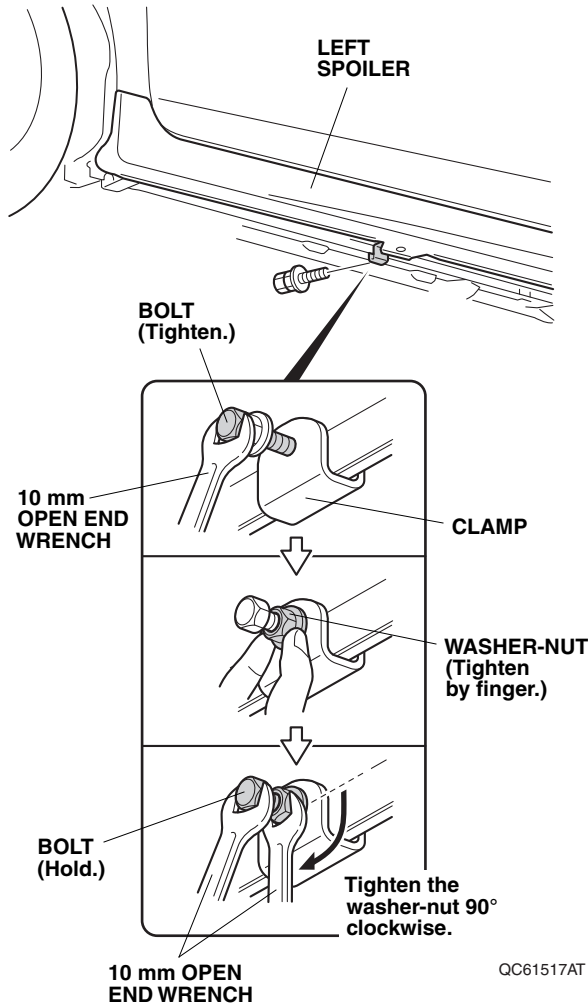
- 37. Apply touch-up paint to the area where the undercoat is removed, and allow it to dry thoroughly.
- 38. Loosely install one clamp and one bracket screw.



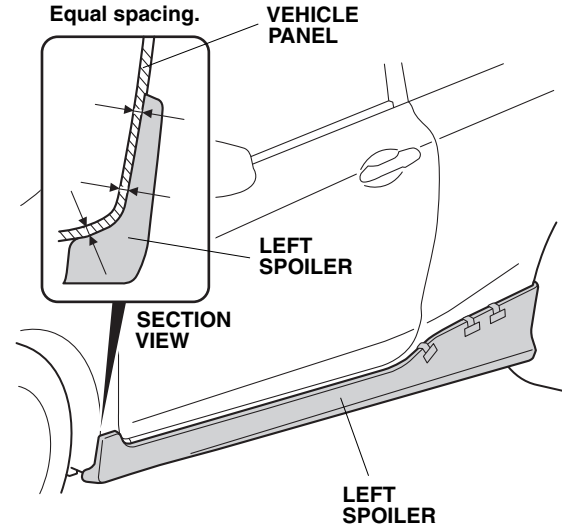
- 39. Assemble one bolt and one washer-nut.



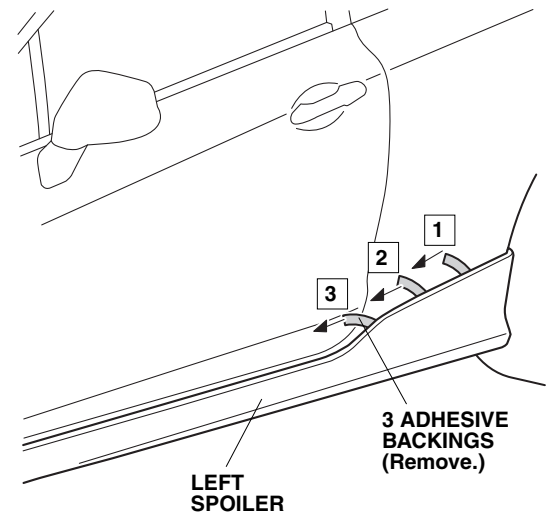
40. Tighten the bolt into the clamp securely, then finger tighten the washer-nut against the clamp. While holding the bolt, tighten the washer-nut 90° clockwise.



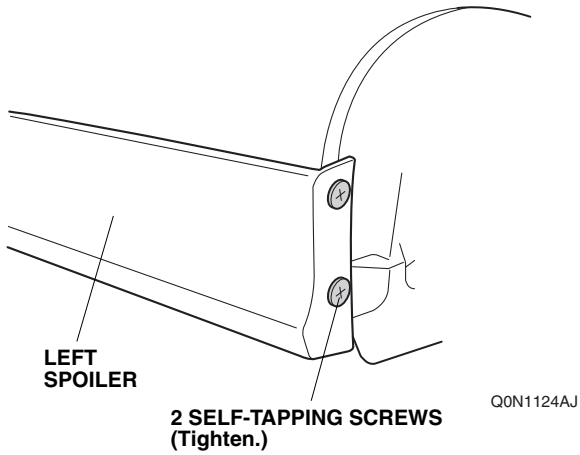
41. Adjust the gap in the area shown.



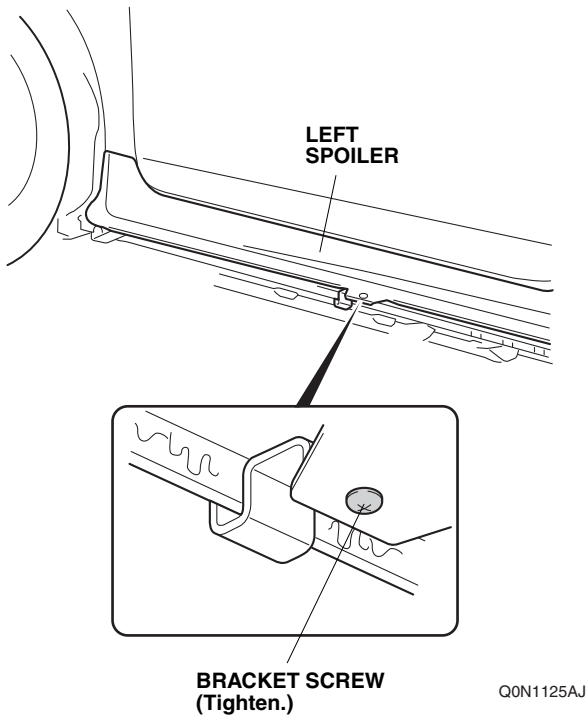
42. Remove three adhesive backings in the order shown. Press the left spoiler firmly against the vehicle panel with the palm of your hands to adhere the left spoiler.



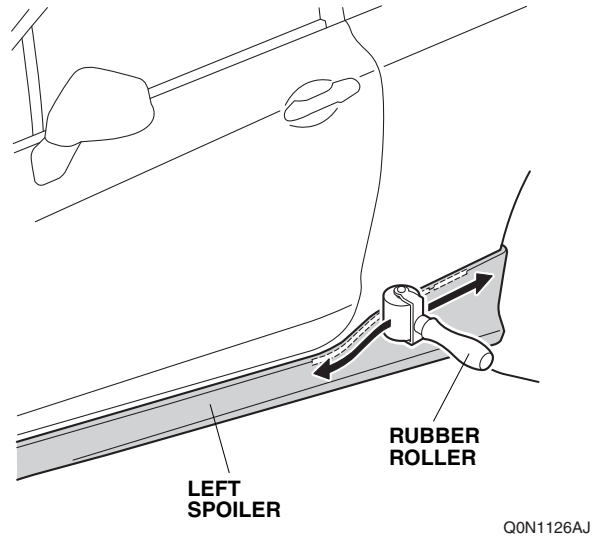
43. Tighten two self-tapping screws.



44. Tighten the bracket screw.



45. Using a rubber roller, apply firm pressure while rolling to set the adhesive. Apply firm pressure especially at the ends.

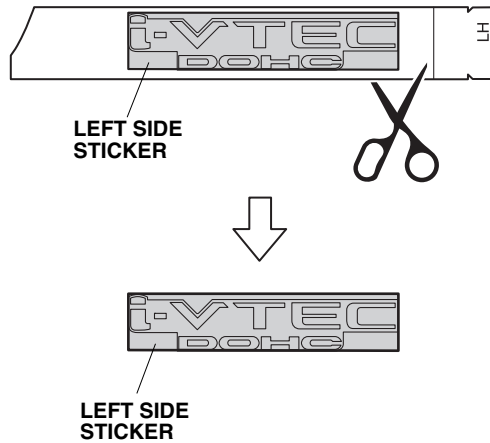


46. Repeat steps 1 through 45 on the right side of the vehicle.

Attaching the Side Stickers

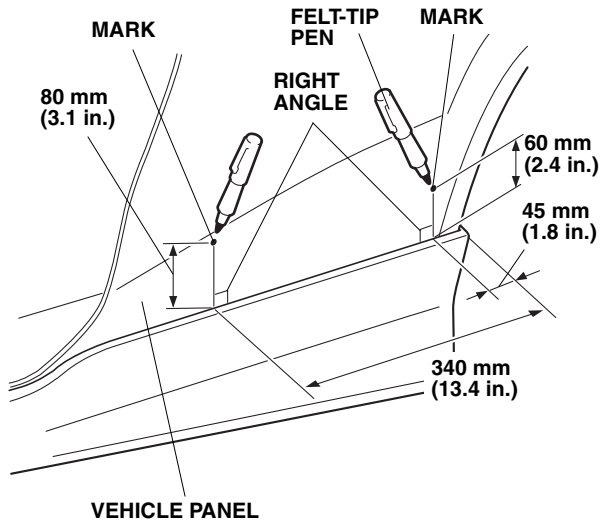
For Si model, do the following to attach the sticker.

47. Trim the left side sticker as illustrated.



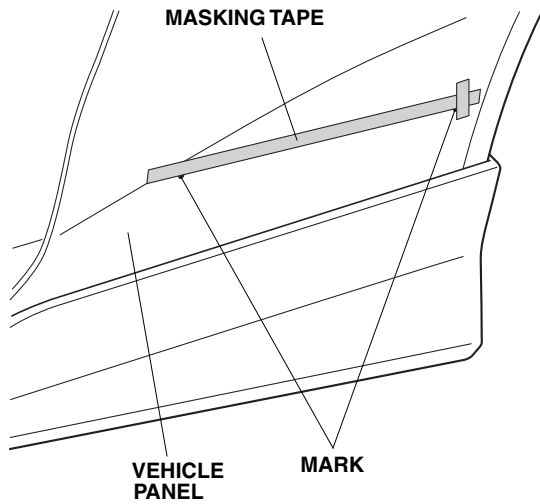
QC61528AT

48. Using a felt-tip pen, mark the vehicle panel as shown.



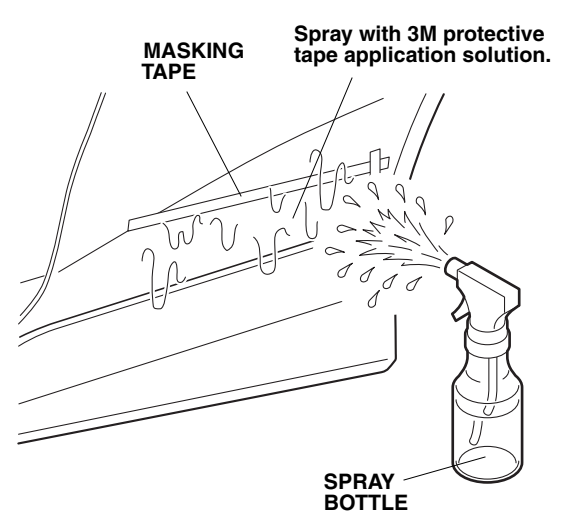
QC61518CT

49. Attach strips of masking tape to the vehicle panel as shown.



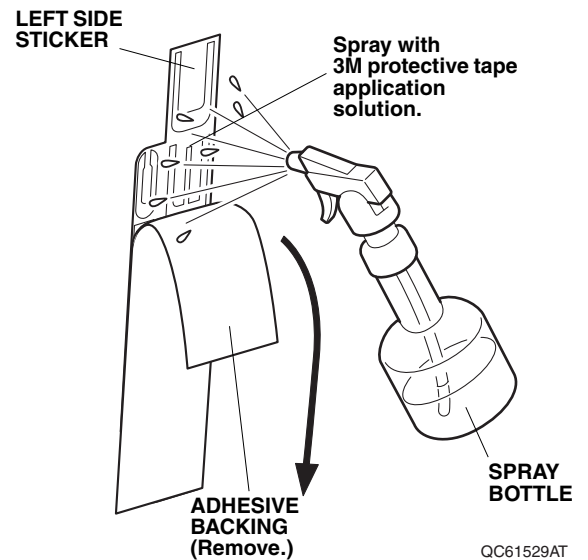
QC61519BT

50. Using isopropyl alcohol on a shop towel, thoroughly clean the area where the left side sticker will attach.



QC61520BT

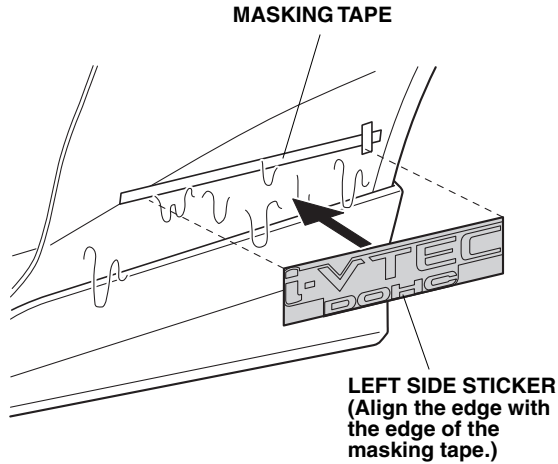
51. Using a spray bottle with 3M protective tape application solution, spray the vehicle panel where the left side sticker will attach.
52. Remove the adhesive backing from the backside of the left side sticker.



QC61529AT

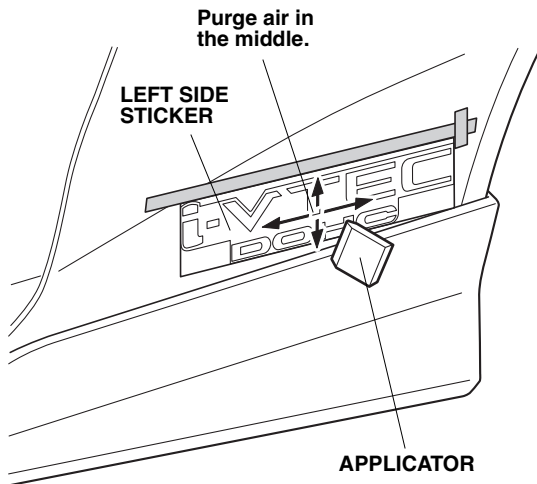
53. Using a spray bottle with 3M protective tape application solution, spray the left side sticker.

54. Align the edge of the left side sticker with the edge of the masking tape, and attach it on the vehicle panel.



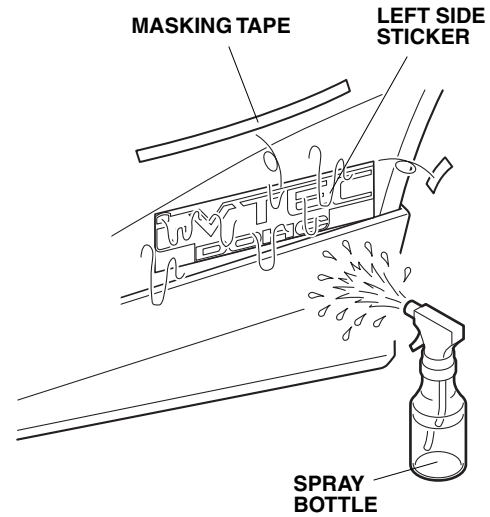
QC61521BT

55. While holding the left side sticker to keep it from moving, purge air left between the left side sticker and the vehicle panel using the applicator. Move the applicator in one direction only.



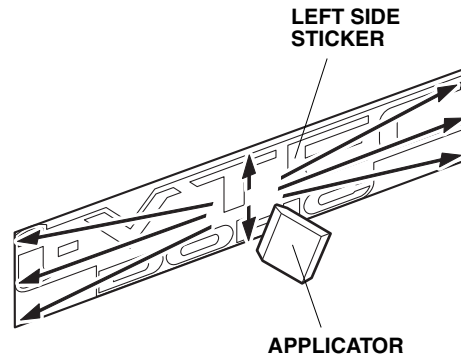
QC61522BT

56. Using a spray bottle with 3M protective tape application solution, spray the left side sticker again. Remove strips of masking tape.



QC61523BT

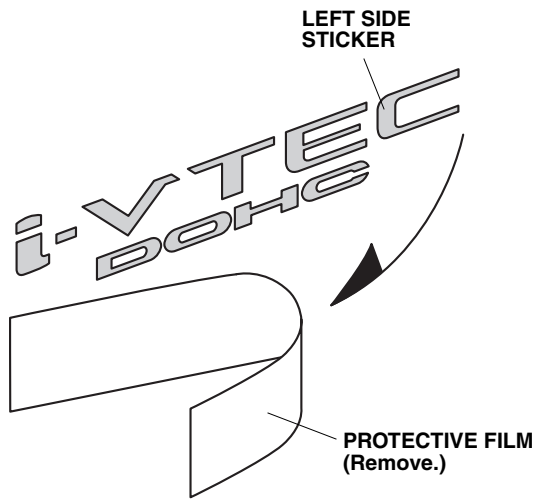
57. Use the applicator to remove any air between the left side sticker and the vehicle panel. Take care not to force the left side sticker out of the proper position. Move the applicator in one direction only.



QC61524BT

58. Using a shop towel, wipe the excess 3M protective tape application solution from the left side sticker. Allow the left side sticker to dry thoroughly.

59. Slowly remove the protective film at an angle from the left side sticker.



QC61525BT

60. Repeat steps 47 through 59 on the right side of the vehicle.