



**INSTALLATION  
INSTRUCTIONS**

Accessory

**CARGO HOOK**  
P/N 08L96-TA0-101A

Application

**2010 CIVIC**  
**2- AND 4-DOOR**

Publications No.

**All 42474**

Issue Date

**AUG 2009**

**PARTS LIST**

Cargo hook



Bolt



Small washer



Spring washer



Rivet nut  
(Not used)



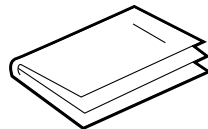
Nut



Large washer



Accessory User's Information Manual



**TOOLS REQUIRED**

Drill

10 mm Drill bit

10 mm Socket

Ratchet

Extension bar

Torque wrench

Eye protection (face shield, safety goggles, etc.)

Touchup paint

Drillstop

File

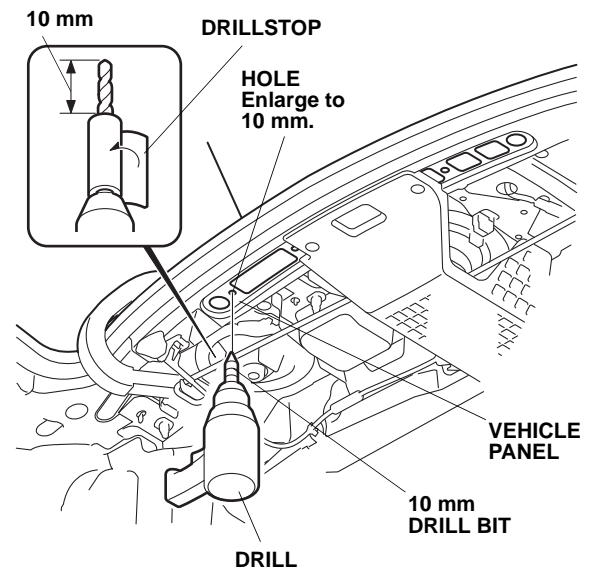
**INSTALLATION**

**NOTE:** An additional cargo hook (sold separately) can be installed on vehicles without a CD changer or bass speaker system.

4-door vehicles: Go to step 5.

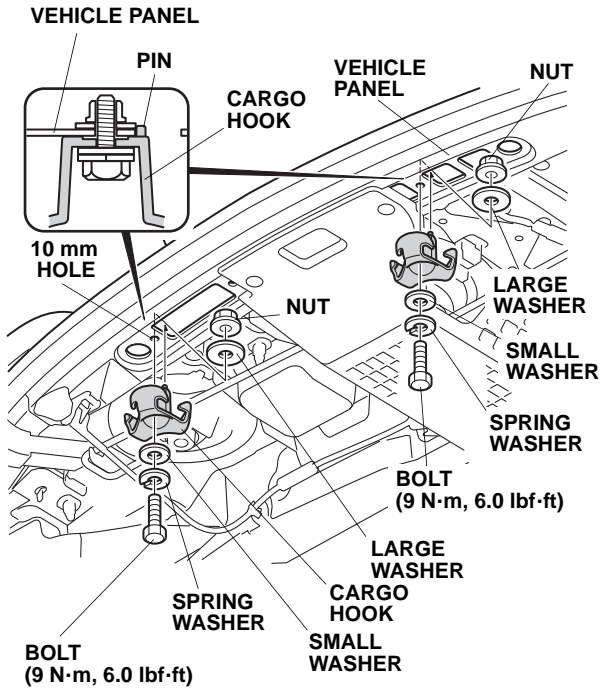
**2-Door vehicles**

1. Open the trunk lid. Wearing eye protection, drill the vehicle panel to enlarge the existing hole as shown. Wrap a drillstop around the drill bit at 10 mm from the tip of the bit.



2. Remove any burrs from the edge of the drilled hole.
3. Apply touch-up paint to the edge of the hole, then let the paint dry thoroughly.

4. Install the cargo hook as shown. Torque the bolt to 9 N·m (0.9 kgf·m, 6.0 lbf·ft).  
With CD changer and/or bass speaker system: Install the cargo hook on the left side only.



4-Door vehicles

5. Open the trunk lid. Install the cargo hook as shown. Torque the bolt to 9 N·m (6.0 lbf·ft).
- With CD changer: Install the cargo hook on the left side only.
  - With bass speaker system: Install the cargo hook on the right side only.

