



## APPLICATION AND INSTALLATION INSTRUCTIONS FOR PIE PART # HON03-AUX

The HON03-AUX converts the 14-pin satellite radio or CD changer port of the OEM Acura / Honda radio to RCA Level audio input. The HON03-AUX can be configured (with internal DIP switch settings) to work in either mode, depending on what the radio's capabilities are, and what options the vehicle is equipped with.

### VEHICLE APPLICATIONS:

#### **ACURA**

MDX\* 2005-2006  
RSX\* 2004-2006  
TL 2004-2008  
TSX\* 2004-2008

*Not compatible if vehicle is  
equipped with AcuraLink*

#### **HONDA**

Accord 2003-2011  
Accord Crosstour 2010-2011  
Civic / Hybrid 2006-2011  
CR-V 2005-2011  
Element\* 2003-2010  
Fit 2007-2010  
Insight 2009-2010  
Odyssey 2005-2010  
Pilot 2004-2011  
Ridgeline 2006-2011  
S2000 2004-2009

- \*Radio must have the white 14-pin CDC / SAT data port to be compatible.
- If the HON03-AUX is configured to work in SAT mode, the factory satellite will be replaced.
- In Honda vehicles, if used in CD mode and the vehicle already has an external factory CD changer, the AUX input will show as "CD2". In this application, the AUX button is normally used to access CD2.

### INSTALLATION:

**CAUTION: BEFORE ANY CONNECTIONS ARE MADE, PIE STRONGLY RECOMMENDS THAT ALL CIRCUITS BE VERIFIED WITH A VOLTMETER BEFORE INTERFACING WITH THEM. ALWAYS SET THE PARKING BRAKE BEFORE WORKING ON ANY VEHICLE.**

**DO NOT** force connectors together as pin damage may occur. This installation will be flawless if you take your time making the connections described below. Following the installation sequence below is critical to ensure proper recognition of the HON03-AUX by the factory radio.

**NOTE: Some Honda radios are code protected. Verify that the code is available before disconnecting the battery.**

1. Disconnect the negative battery terminal.
2. Remove the radio to gain access to the radio's 14-pin data port.
3. Remove the harness that may be plugged into this port.
4. Connect the male end of the HON03-AUX vehicle harness to the radio's 14-pin data port.
5. Connect the female end of the HON03-AUX vehicle harness to any harness that was previously plugged into this port.

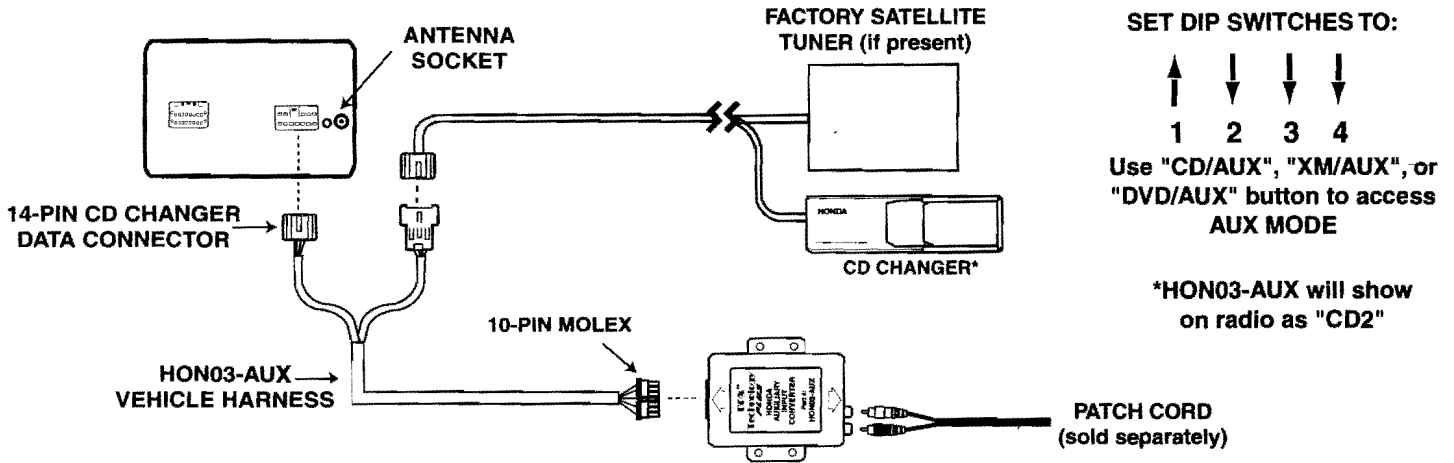
**NOTE: If the external CD changer or satellite tuner is easier to access than the back of the radio, the HON03-AUX can also be connected at either of these locations.**

6. Gently pry open the HON03-AUX case and configure the internal DIP switches for your specific application (see diagrams on back).
7. Once the HON03-AUX module's DIP switches have been configured and the case closed, connect the male 10-pin Molex connector of the HON03-AUX vehicle harness to the module.
8. Connect the appropriate length patch cord or other cable (not included) between the HON03-AUX and the auxiliary device.
9. Re-install factory radio.
10. Reconnect the negative battery terminal.

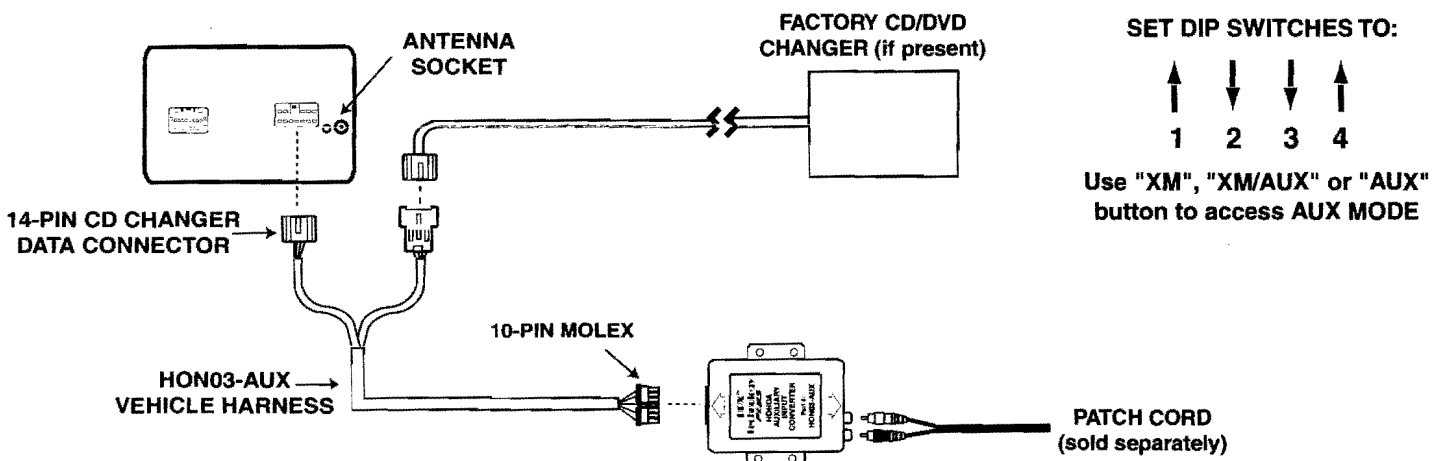
### VERIFY OPERATION

## INSTALLATION DIAGRAM PIE PART # HON03-AUX

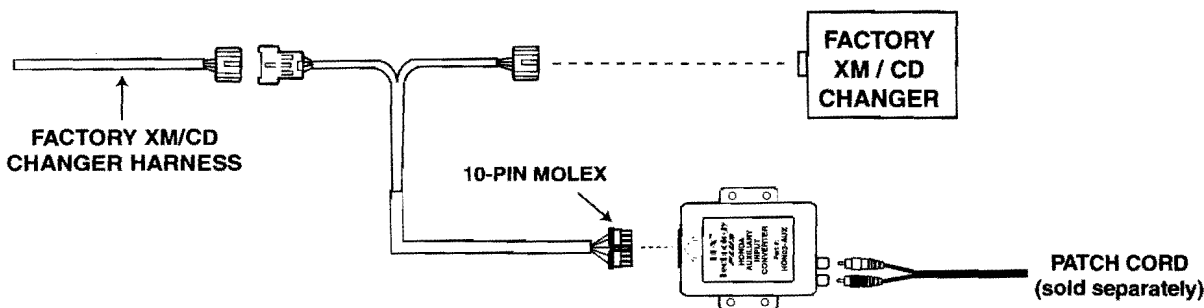
### CD EMULATION MODE:



### SAT EMULATION MODE:



### CONNECTION AT XM TUNER / CD CHANGER:



### WARRANTY

Precision Interface Electronics, Inc. warrants all of its products to be free from defects in material and workmanship. For a period of 90 days from the Date of Sale, PIE will, at its discretion, repair or replace any product found to be defective under normal use. Misuse, tampering with or in any way altering products will void any and all warranties. This warranty neither assumes or authorizes any other person to assume for it any other liability relative to its products. In no event does PIE assume liability for any incidental or consequential damages. Neither does PIE assume any other liabilities except as provided herein.