



## INSTALLATION INSTRUCTIONS

Accessory  
**CARGO NET**  
P/N 08L96-T3L-100

Application  
**2014 ACCORD**  
2-DOOR

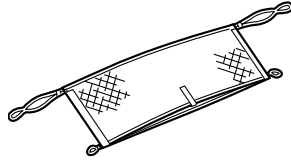
Publications No.  
**All 49933**

---

Issue Date  
**AUG 2013**

### PARTS LIST

Cargo net



2 Anchors A (Small)



2 Anchors B (Large)



4 Bolts



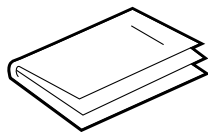
4 Rivet nuts



2 Spacers



Accessory User's Information Manual



### TOOLS AND SUPPLIES REQUIRED

19 mm Open end wrench

Drill

9 mm Drill bit

Eye protection (face shield, safety goggles, etc.)

File

Touch-up paint

Hex wrench

Ruler

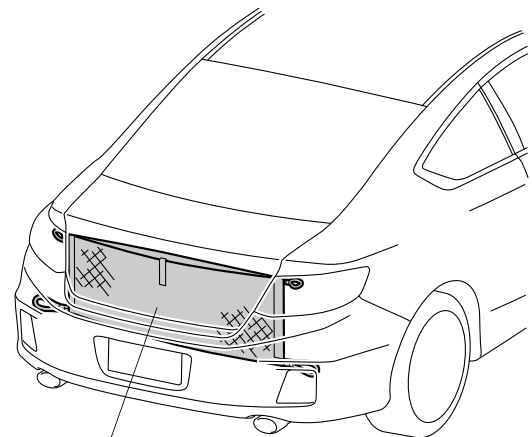
Electrical tape

Rivet Nut Tool, 6 mm (P/N 07AAE-000A100)

*The following tool is available through the Honda Tool and Equipment Program. On the iN, click on: Service > Service Bay > Tool and Equipment Program, then enter the number under "Search." Or, call 888-424-6857.*

- Plastic Trim Tool (T/N SILTRIMTL10)

### Illustration of the Cargo Net in the Vehicle



CARGO NET

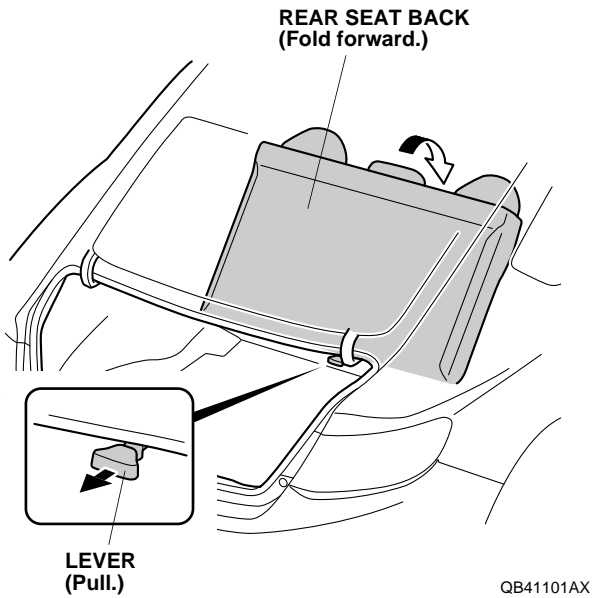
QB41701AX

## INSTALLATION

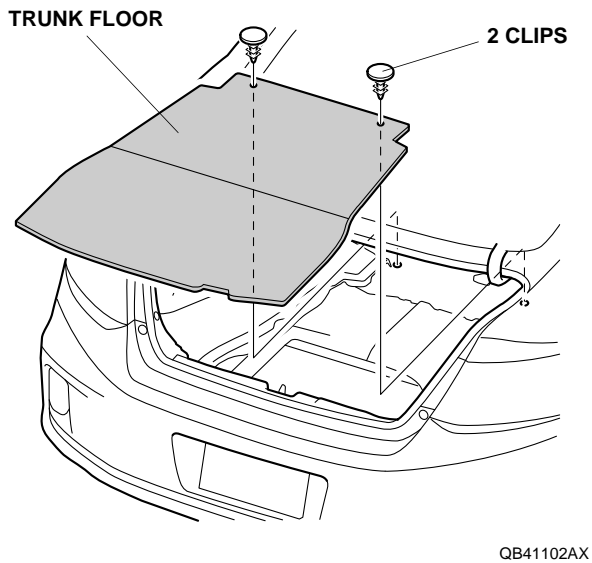
**Customer Information:** The information in this installation instruction is intended for use only by skilled technicians who have the proper tools, equipment, and training to correctly and safely add equipment to your vehicle. These procedures should not be attempted by "do-it-yourselfers."

NOTE: Be careful not to damage the body.

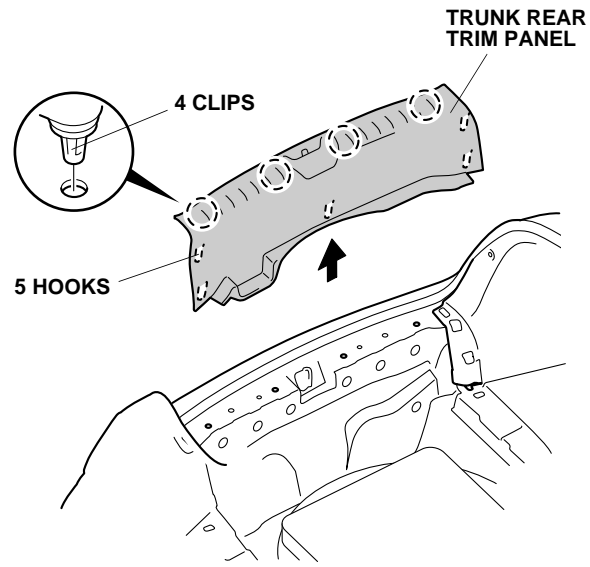
1. Open the trunk. Pull the lever, and fold the rear seat back forward.



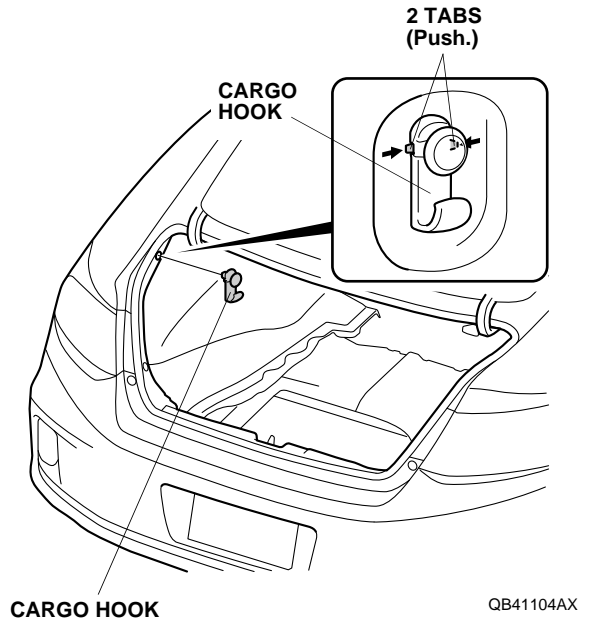
2. Remove the trunk floor (two clips).



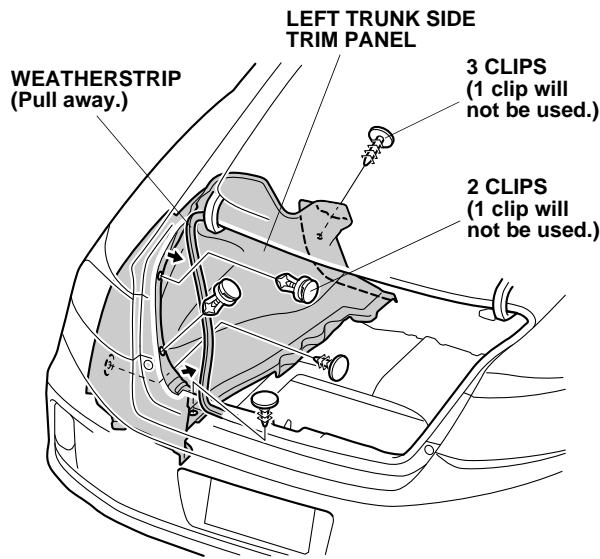
3. Remove the trunk rear trim panel (four clips and five hooks).



4. Push on the tabs, and remove the cargo hook.



5. Pull away the weatherstrip. Remove the left trunk side trim panel (five clips).

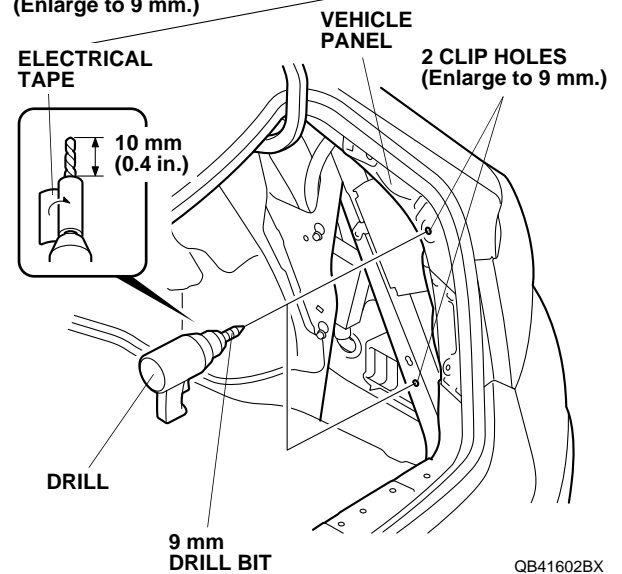
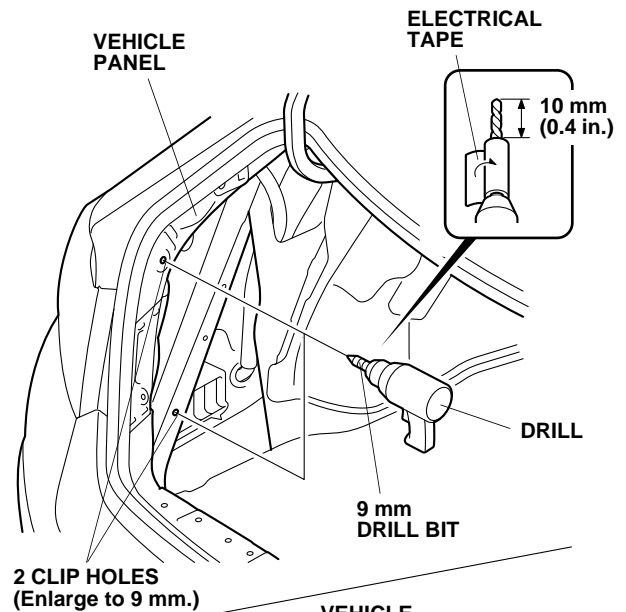


QB41105BX

6. Remove the right trunk side trim panel the same way.

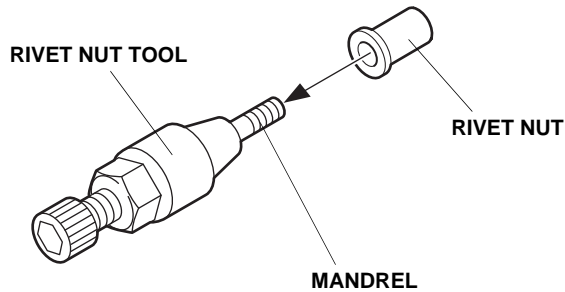
## Installing the Anchors

7. While wearing eye protection, use a 9 mm drill bit to enlarge the four clip holes (two on each side):
- Wrap electrical tape around a 9 mm drill bit 10 mm (0.4 in.) away from the tip, or use a drill stop.
  - Using the 9 mm drill bit, enlarge the four clip holes.
  - Remove all burrs and apply touch up paint to each hole.



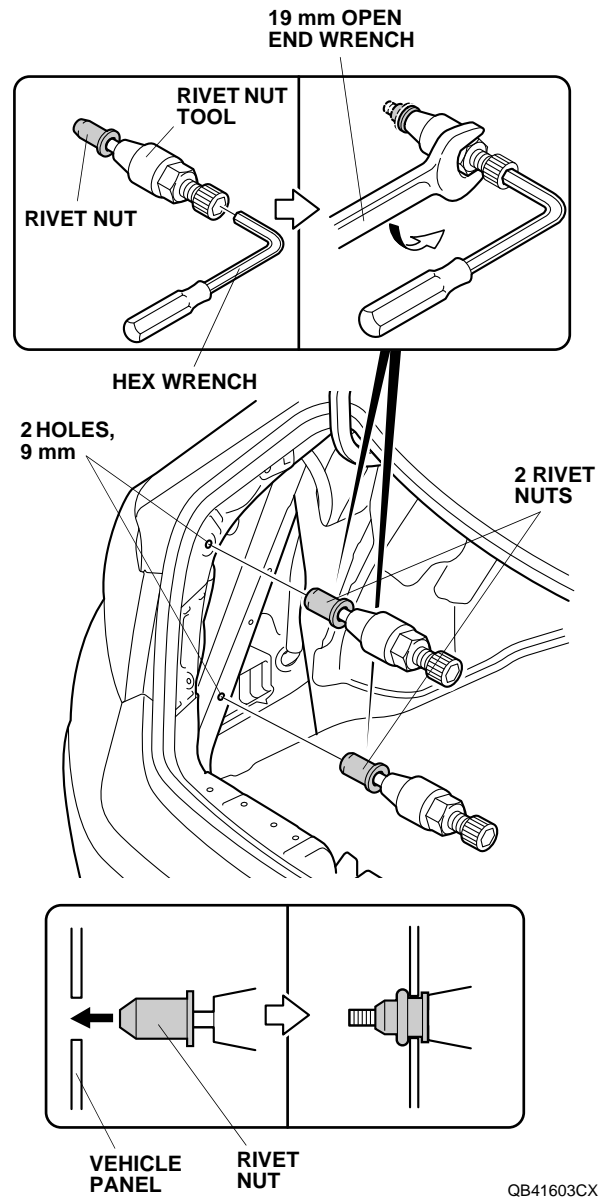
QB41602BX

8. Thread the rivet nut onto the mandrel of the rivet nut tool as shown.



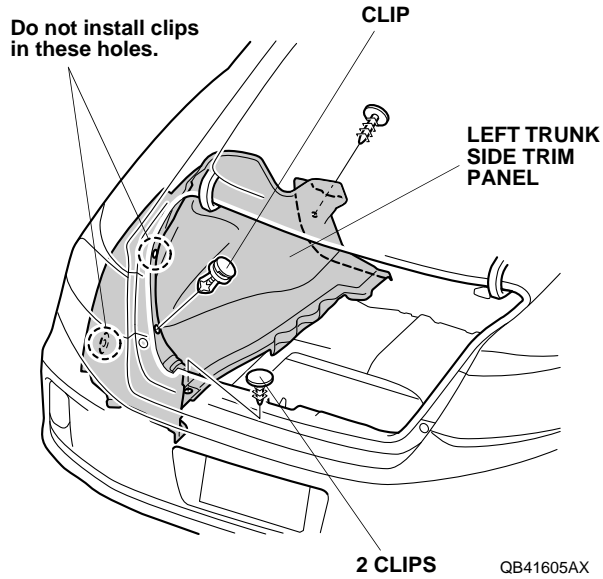
771013AE

9. Insert the rivet nut into the hole in the trunk left side panel and install the hex wrench on the rivet nut tool.

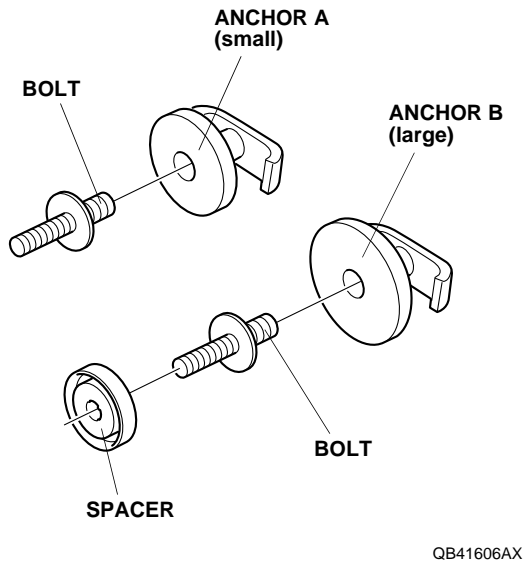


10. While holding the rivet nut tool with the hex wrench, turn the 19 mm wrench counterclockwise and install the rivet nut into the drilled hole in the vehicle panel.
11. Remove the tool from the rivet nut by turning the hex wrench counterclockwise.
12. Repeat steps 8 through 11 to install a second rivet nut on the left side, and the two rivet nuts on the right side.

13. Reinstall the left trunk side trim panel as shown.

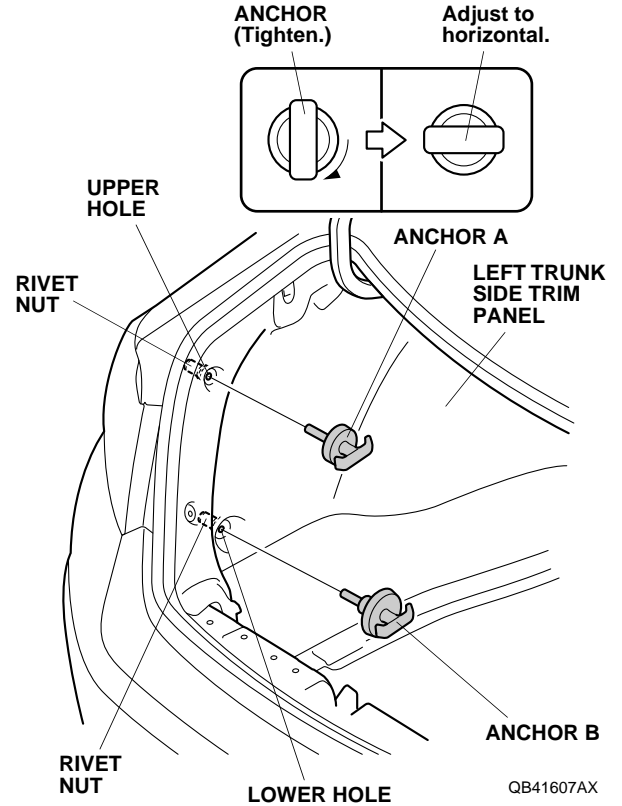


14. Thread a bolt into each anchor.



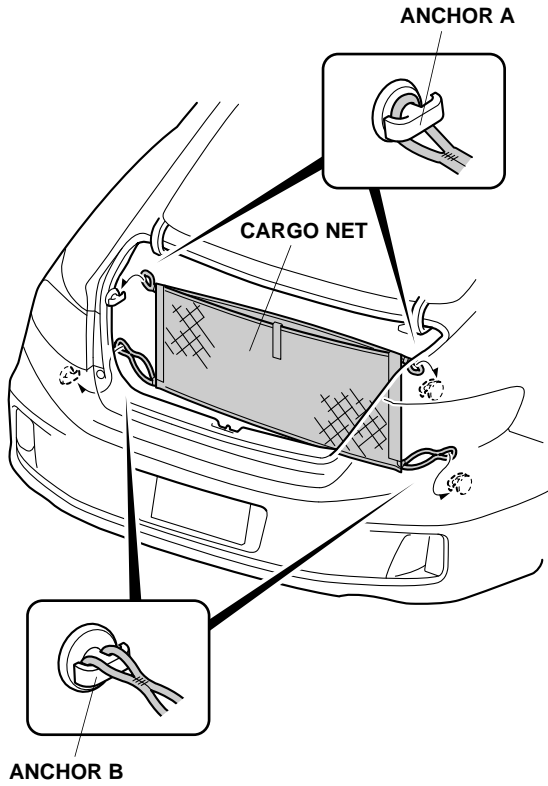
15. Install one spacer onto anchor B.

16. Thread one anchor A into the upper rivet nut and one anchor B into the lower rivet nut. Adjust each anchor to the horizontal position.



17. Repeat steps 13 through 16 to install anchors on the right side of the vehicle.
18. Reinstall the all removed parts.

19. Install the cargo net to the anchors in the trunk.



QB41608BX