



## INSTALLATION INSTRUCTIONS

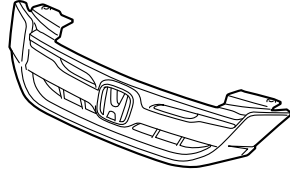
Accessory  
FRONT GRILLE  
P/N 08F21-T2A-100

Application  
2013 ACCORD  
4-DOOR

Publications No.  
All 13032  
Issue Date  
AUG 2012

### PARTS LIST

Front grille



### TOOL AND SUPPLIES REQUIRED

Phillips screwdriver

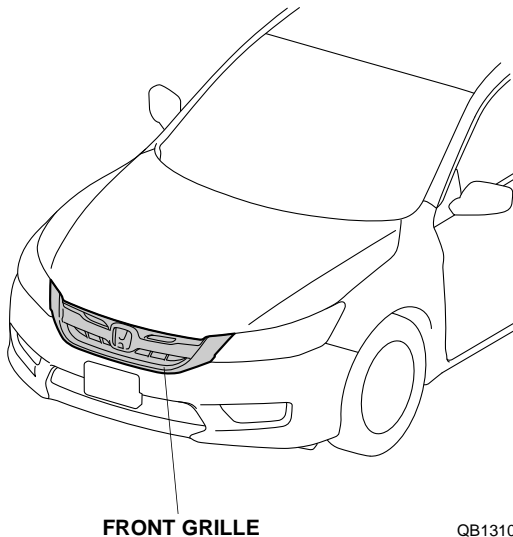
Masking tape

Blanket

The following tool is available through the Honda Tool and Equipment Program. On the iN, click on: Service > Service Bay > Tool and Equipment Program, then enter the number under "Search". Or, call 888-424-6857.

- Trim Tool Set (T/N SOJATP2014)

### Illustration of the Front Grille on the Vehicle

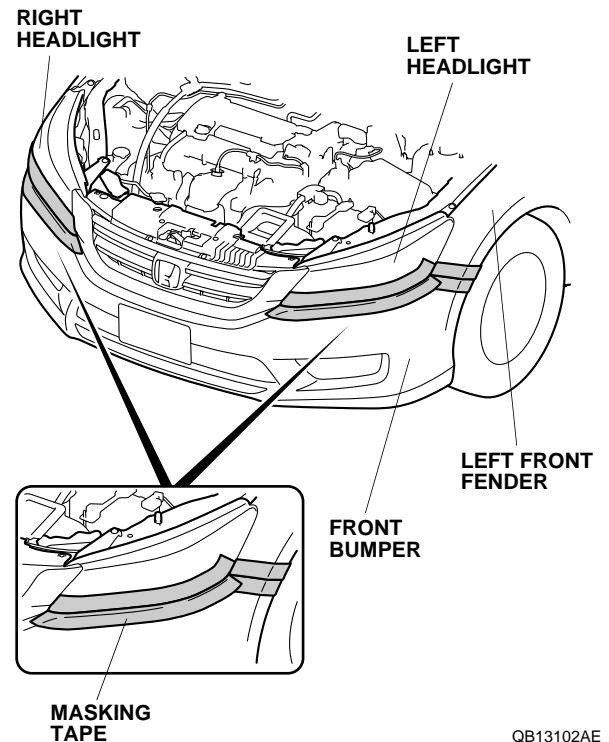


### INSTALLATION

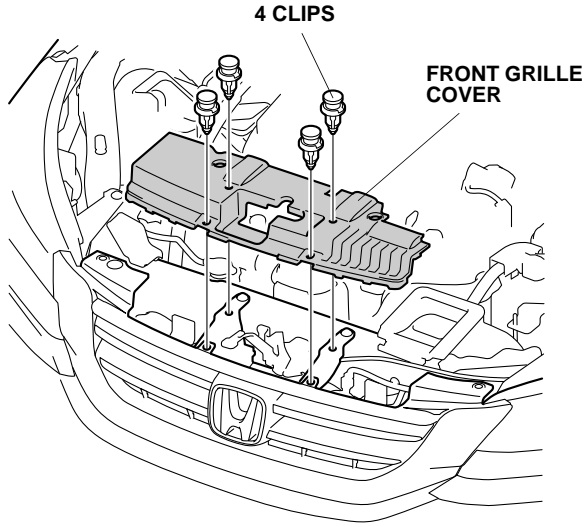
**Customer Information:** The information in this installation instruction is intended for use only by skilled technicians who have the proper tools, equipment, and training to correctly and safely add equipment to your vehicle. These procedures should not be attempted by "do-it-yourselfers."

NOTE: Be careful not to damage the paint finish.

1. Attach masking tape to the front bumper, headlights and front fenders as shown.



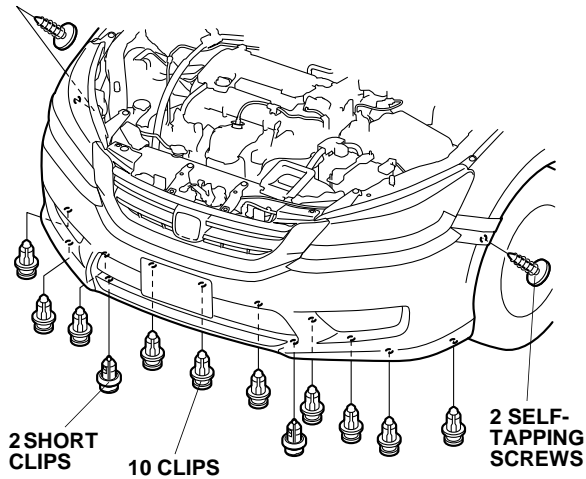
2. Remove the front grille cover (four clips).



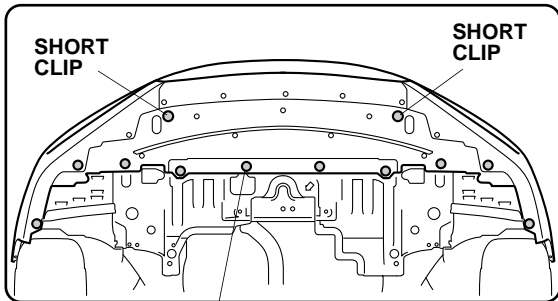
QB13103AE

3. Remove the front bumper.

- Remove the two self-tapping screws, ten clips, and two short clips.

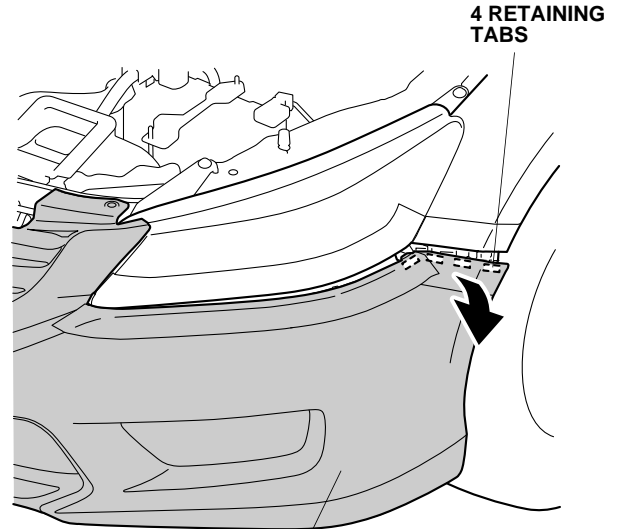


BOTTOM VIEW



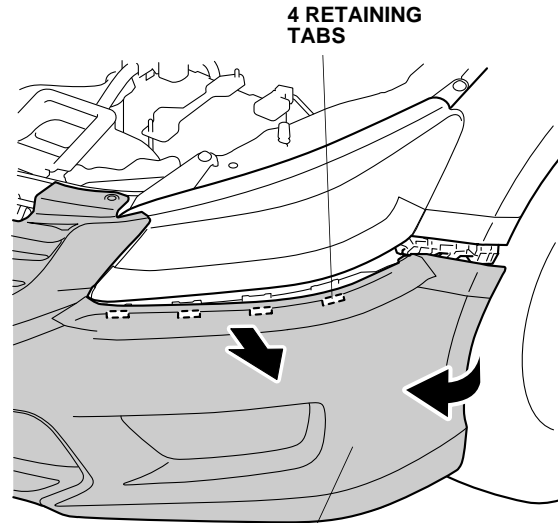
QB13104BE

- Release the four retaining tabs on each side.



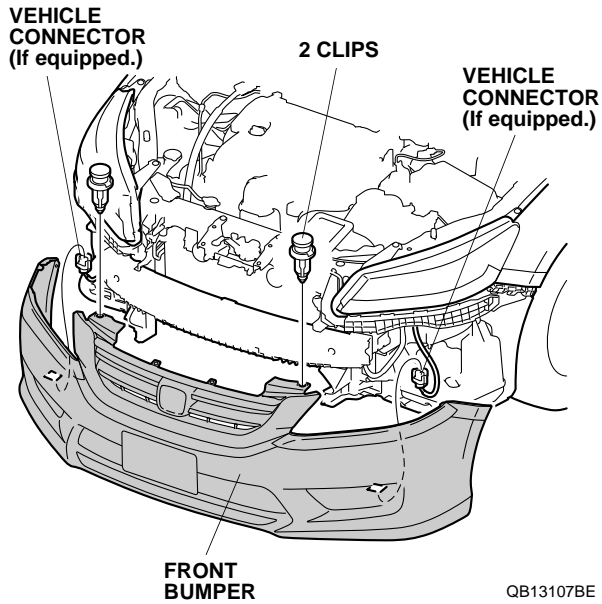
QB13105AE

- Release the four retaining tabs on each side.

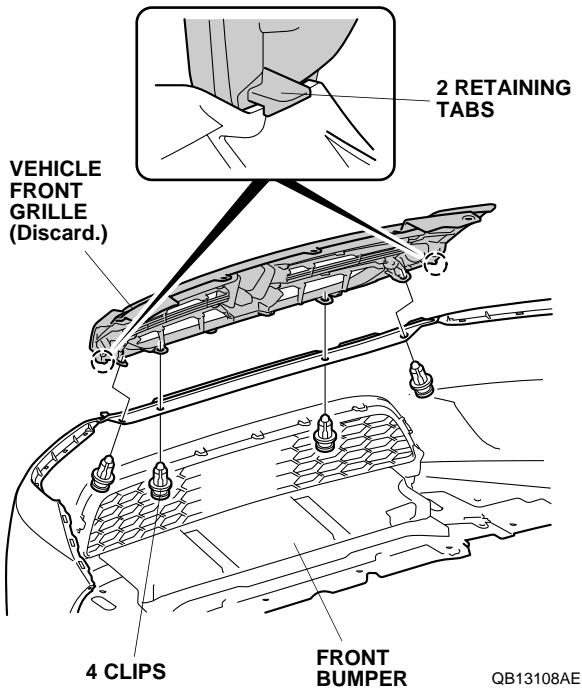


QB13106AE

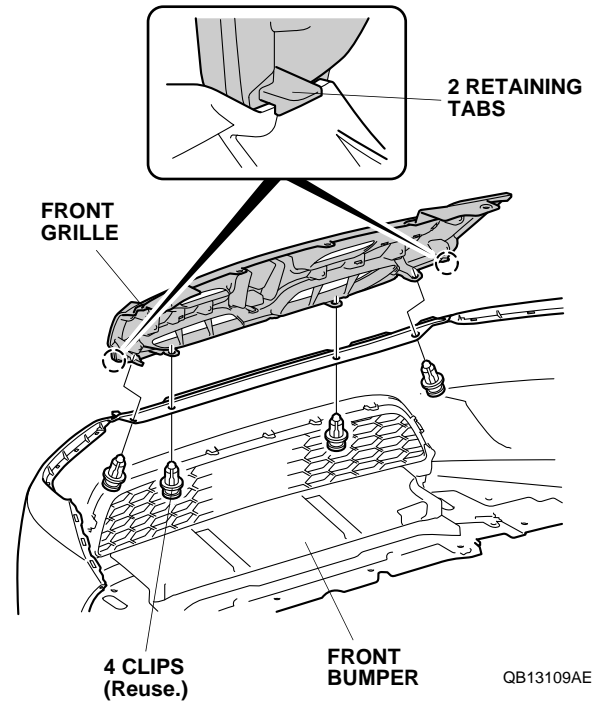
- Remove the two clips.
- With the help of an assistant, remove the front bumper.
- Place the front bumper on a blanket.



4. Remove the vehicle front grille (four clips and two retaining tabs).



5. Install the front grille to the front bumper with the four clips removed in step 4 and two retaining tabs.



6. With the help of an assistant, reinstall the front bumper.
7. Reinstall the front grille cover.