



## INSTALLATION INSTRUCTIONS

Accessory

**SPLASH GUARDS**  
P/N 08P00-TA0-100

Application

**2012 ACCORD**  
4-DOOR

Publications No.

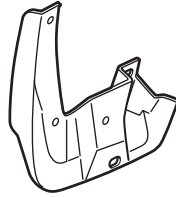
**All 46541**

Issue Date

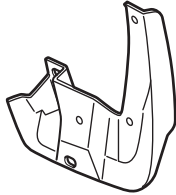
**AUG 2011**

### PARTS LIST

Right front splash guard



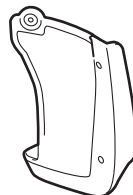
Left front splash guard



Right rear splash guard



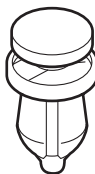
Left rear splash guard



12 Self-tapping screws, 5 x 25 mm



2 Clips



### TOOL AND SUPPLIES REQUIRED

Stubby Phillips screwdriver  
Pushpin

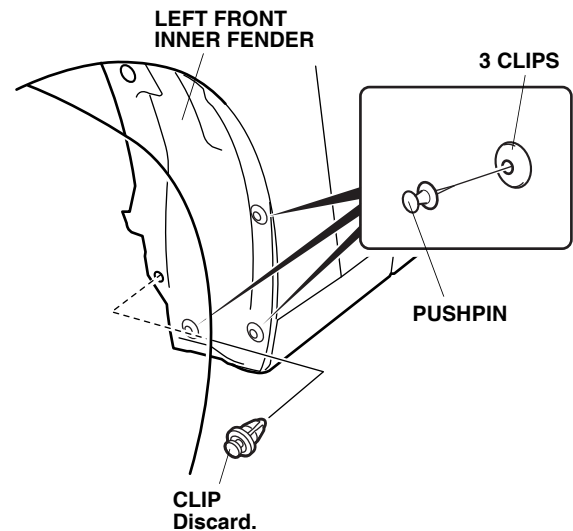
### INSTALLATION

#### NOTE:

- These instructions show the left splash guards being installed. The same procedure applies to installing the right splash guards.
- Clean and wax the areas to be covered with a high quality paste wax.

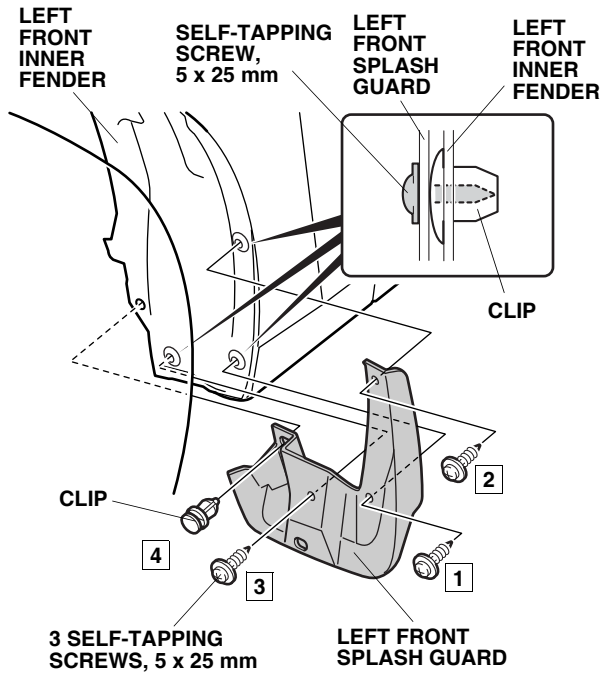
#### Installing the Front Splash Guards

1. Turn the steering wheel all the way counterclockwise.
2. Remove the clip from the left front inner fender as shown.



3. Using a pushpin, make small holes through the centers of the three clips shown.

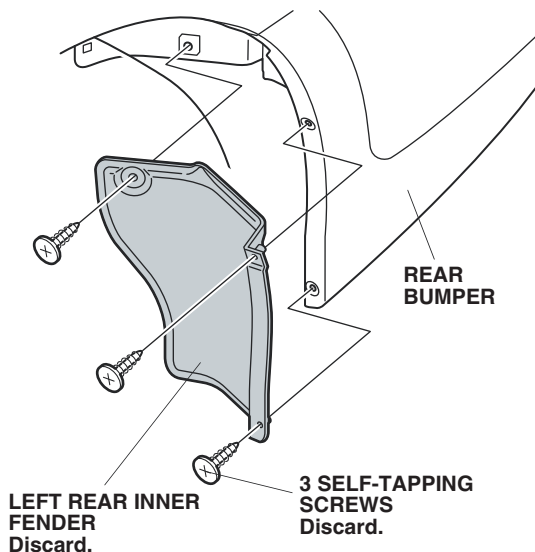
- Install the left front splash guard using three 5 x 25 mm self-tapping screws, and one clip. Do not tighten the 5 x 25 mm self-tapping screws yet.



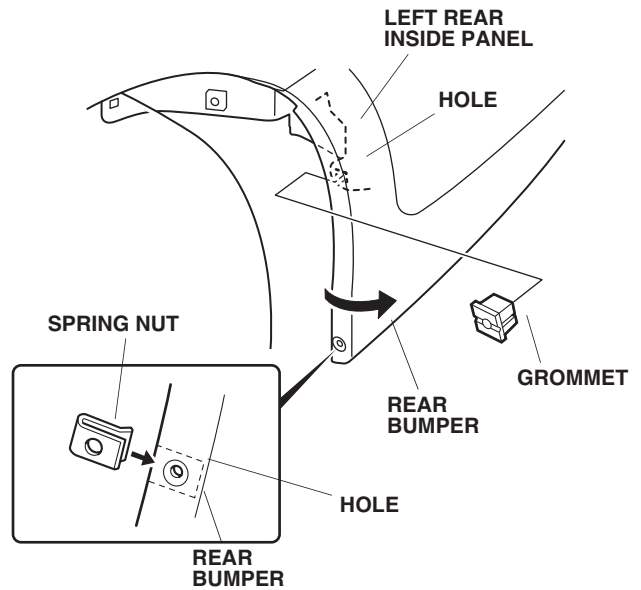
- While holding the left front splash guard against the left front inner fender, tighten the 5 x 25 mm self-tapping screws in the order shown, then set the clip (1 → 2 → 3 → 4).
- Turn the steering wheel all the way clockwise, and repeat steps 2 through 5 to install the right front splash guard.

## Installing the Rear Splash Guards

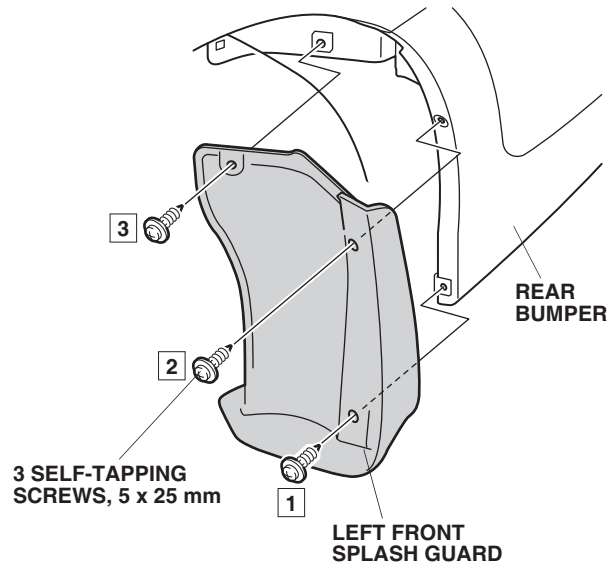
- Remove three self-tapping screws in the left rear inner fender as shown.
- Remove and discard the left rear inner fender.



- Install the grommet into the hole in the left rear inside panel. Slide the spring nut over the hole in the rear bumper lower hole.



- Install the left rear splash guard using three self-tapping screws. Do not tighten the 5 x 25 mm self-tapping screws yet.



- While holding the left rear splash guard against the left rear bumper, tighten the 5 x 25 mm self-tapping screws in the order shown (1 → 2 → 3).
- Repeat steps 7 through 11 to install the right rear splash guard