



## INSTALLATION INSTRUCTIONS

Accessory  
**REAR BUMPER APPLIQUE**  
P/N 08P48-TA0-100

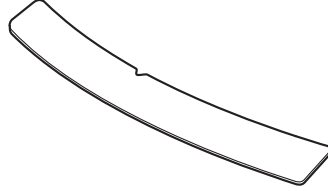
Application  
**2012 ACCORD**  
**4-DOOR**

Publications No.  
**All 46539**

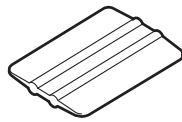
Issue Date  
**AUG 2011**

### PARTS LIST

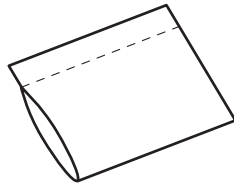
Rear bumper applique



Applicator



Soft sleeve



### TOOLS AND SUPPLIES REQUIRED

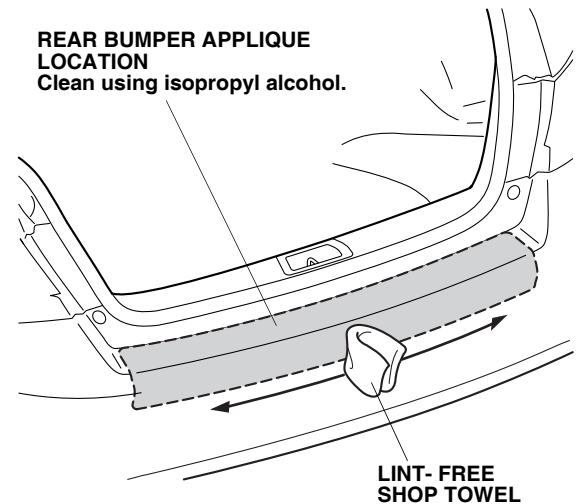
Isopropyl alcohol  
Shop towel  
Lint-free shop towel  
Masking tape  
Felt-tip pen  
Spray bottle  
3M Protective tape application solution

### INSTALLATION

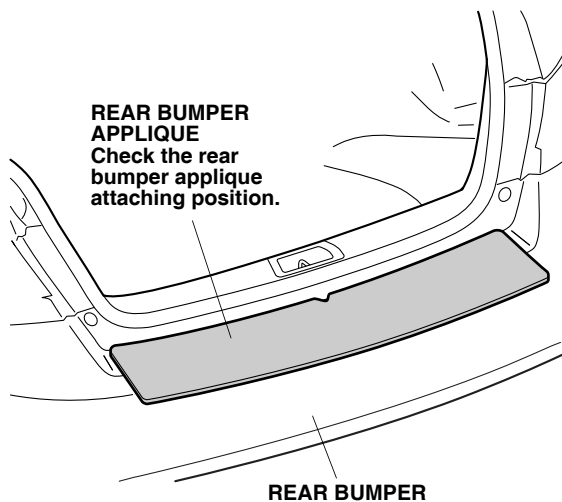
#### NOTE:

- Be careful not to damage the rear bumper and other finished surfaces of the body.
- This rear bumper applique should be installed only if the ambient air temperature is 15°C (60°F) or above.
- To allow the adhesive to cure, do not wash the vehicle for 24 hours.

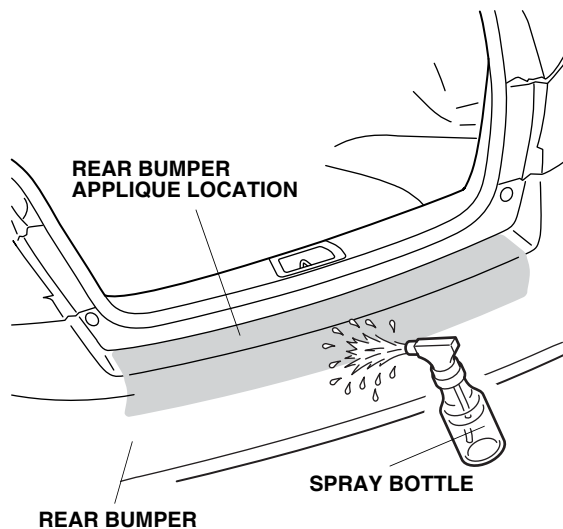
1. Using isopropyl alcohol on a lint-free shop towel, clean the rear bumper where the rear bumper applique will attach.



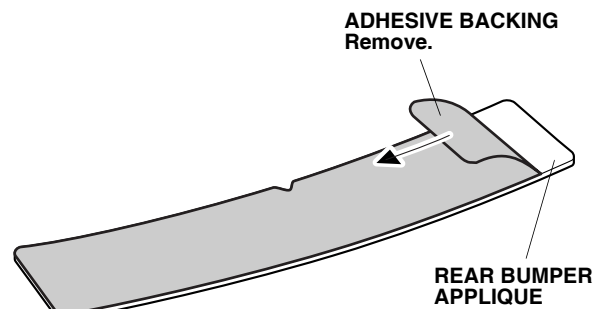
2. Align the rear bumper applique to the rear bumper and check the rear bumper applique attaching position.
3. Remove the rear bumper applique.



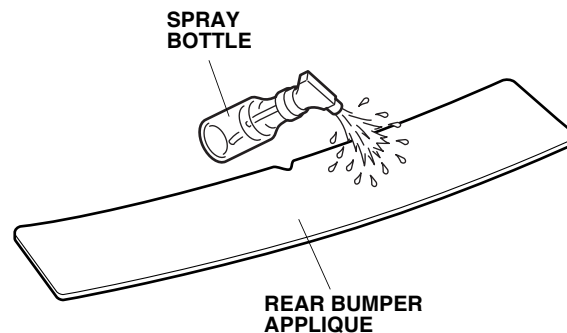
4. Using a spray bottle with 3M protective tape application solution, spray the rear bumper where the rear bumper applique will attach.



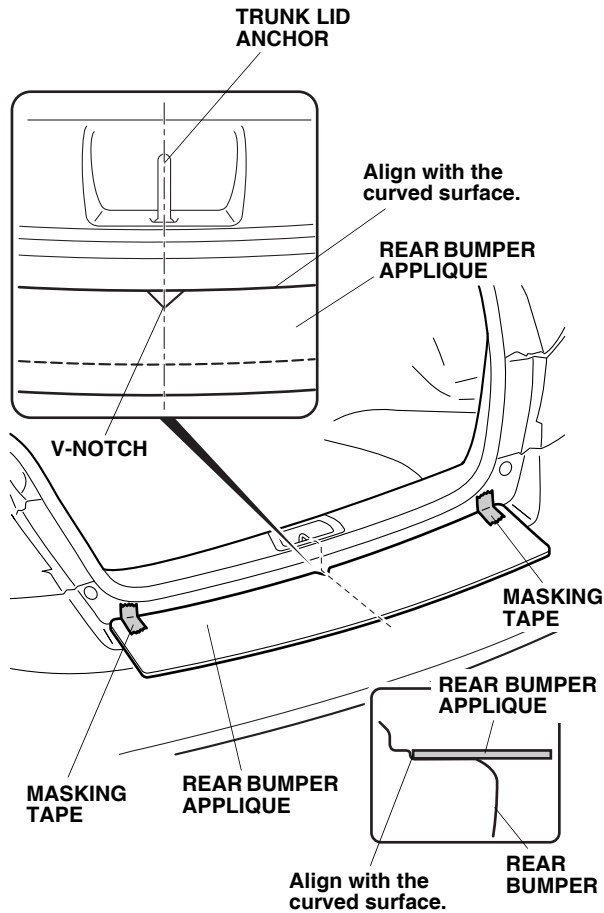
5. Remove the adhesive backing from the rear bumper applique.



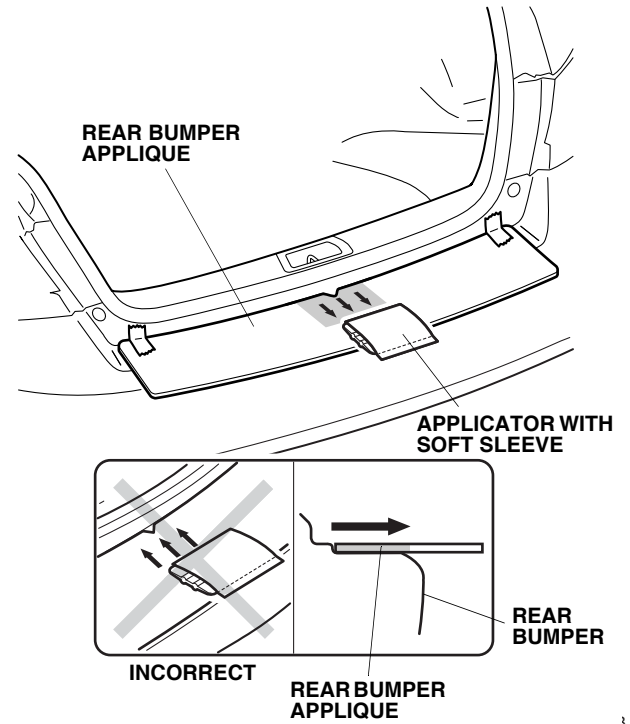
6. Using the spray bottle with 3M protective tape application solution, spray the rear bumper applique.



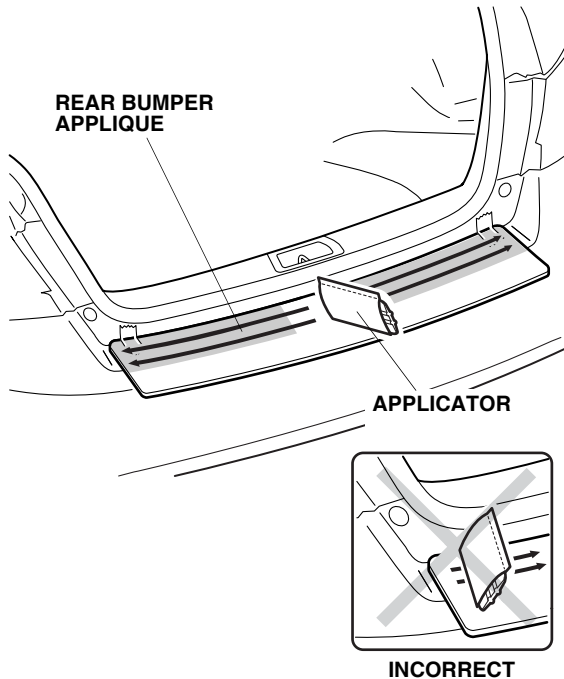
- Align the V-notch in the rear bumper applique with the center of the trunk lid anchor as shown. Smooth the rear bumper applique along the rear bumper and tape each end at the curve in the bumper.



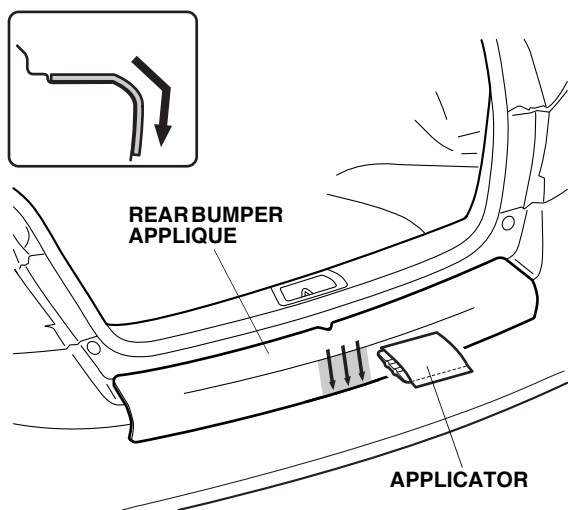
- Insert the applicator into the soft sleeve.
- Using the applicator with soft sleeve, apply pressure with downward strokes to smooth out the top surface at the center of the rear bumper applique. Do not push upward with the applicator.



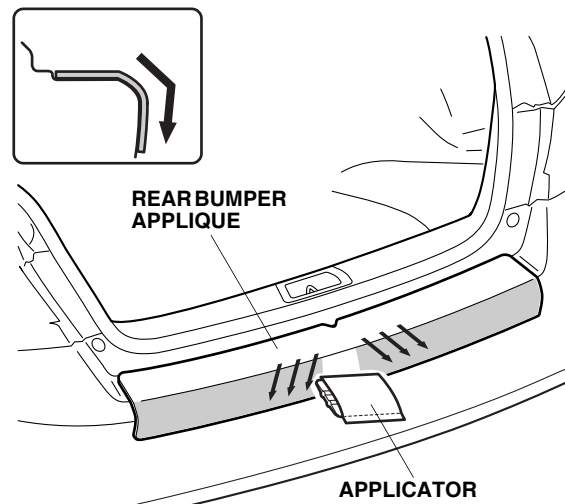
10. Starting at the center and working outward, use the applicator to smooth the rear bumper applique. Stroke in one direction only. Repeat on the right side.



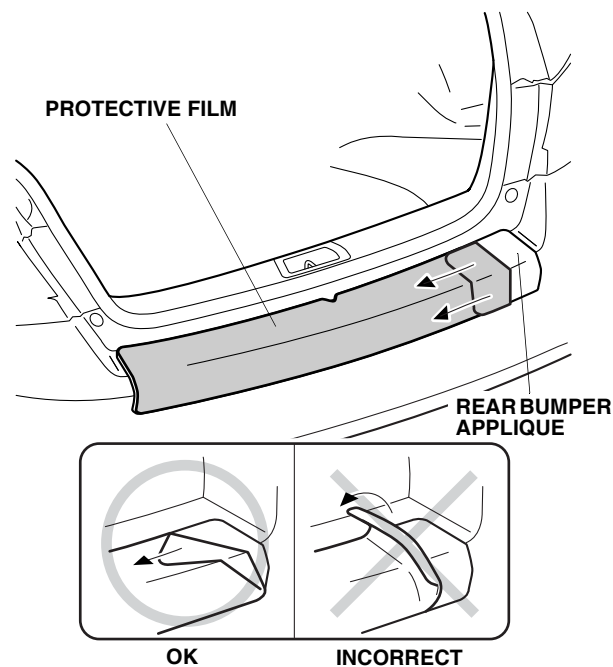
11. Once the upper surface is completely smooth with no bubbles, use the applicator to apply the rear bumper applique to the rounded rear edge at the center as shown.



12. Use the applicator to apply the rear bumper applique to the rounded rear edge on the left side as shown. Start in the middle and work outward. Repeat on the right side.



13. Remove the protective film from the rear bumper applique. Remove the protective film slowly; do not pull up the protective film.



14. Use a shop towel to rub across and down on the rear round edge. Allow the rear bumper applique to dry thoroughly.

