



INSTALLATION INSTRUCTIONS

Accessory
FLOOR MAT (ALL-SEASON)
 P/N 08P13-TA0-100

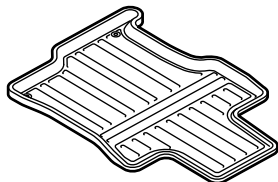
Application
2012 ACCORD
4-DOOR

Publications No.
All 46535

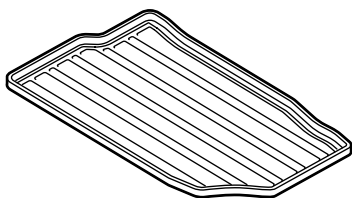
Issue Date
AUG 2011

PARTS LIST

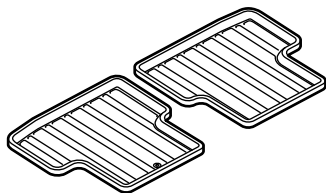
Driver's side front floor mat



Passenger's side front floor mat



2 Rear floor mats



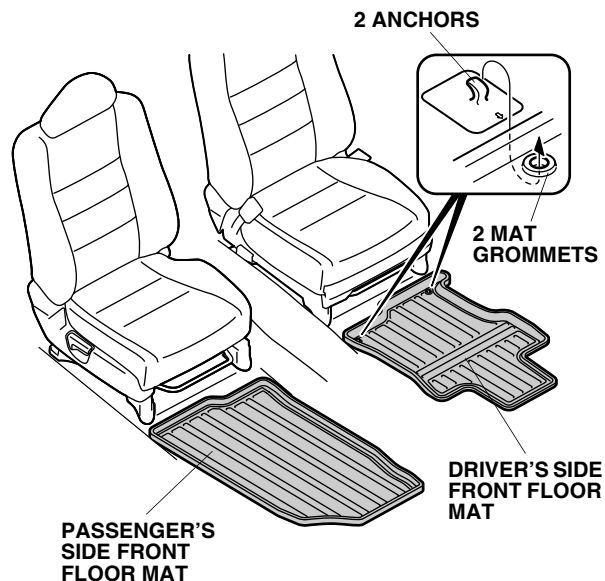
INSTALLATION

NOTE:

- Before installing, identify each floor mat.
- Remove the standard floor mats before installing these floor mats.
- The floor anchors are required for the driver's side of the vehicle; the anchors prevent the driver's side floor mat from sliding forward and interfering with the pedals.
- If you remove the floor mat, make sure you re-anchor it when you put it back in your vehicle.

Installing the Floor Mats

1. Install the driver's side front floor mat by placing the two mat grommets over the two anchors on the floor carpet.
2. Install the passenger's side front floor mat.



3. Install the two rear floor mats according to the marking, LEFT REAR and RIGHT REAR, embossed on the underside of the rear floor mats.

