



**INSTALLATION  
INSTRUCTIONS**

Accessory

**TRUNK SPOILER  
P/N 08F10-TA0-100A**

Application

**2011 ACCORD  
4-DOOR**

Publications No.

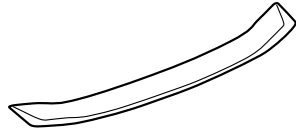
**All 44034**

Issue Date

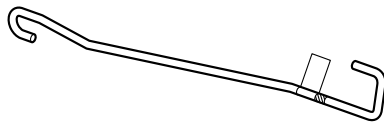
**AUG 2010**

**PARTS LIST**

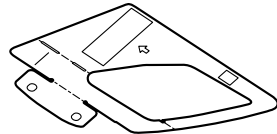
Trunk spoiler



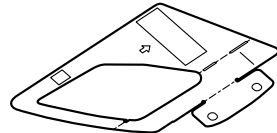
Left trunk spring (marked yellow)



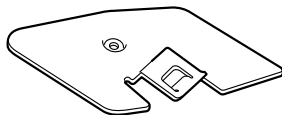
Left template



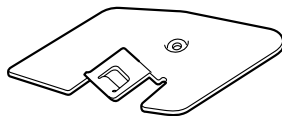
Right template



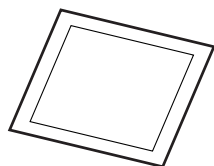
Left bracket



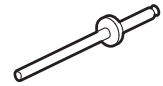
Right bracket



Alcohol swab



2 Rivets



2 Seals



**TOOLS AND SUPPLIES REQUIRED**

Felt-tip pen

Masking tape

Tape measure

Isopropyl alcohol

Shop towel

Drill

3 mm and 4 mm Drill bits

File

Eye protection (face shield, safety goggles, etc.)

Center punch

HP2 rivet tool (MAR39000)

(Available through the Honda Tool and Equipment program. On the iN, click on: Service/Service Bay/Tool and Equipment Program, then enter the number under "Search." Or call 888-424-6857.)

Touch-up paint

Trunk Spring Tool (P/N 07AAF-SNAA100)

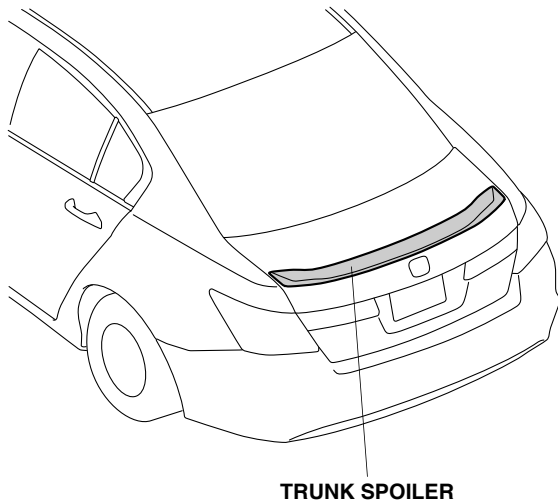
Scissors

Rubber Rollers (MHLE540)

(Available through the Honda Tool and Equipment program. On the iN, click on: Service/Service Bay/Tool and Equipment Program, then enter the number under "Search." Or call 888-424-6857.)

Gloves

## Illustration of the Trunk Spoiler installed on the vehicle



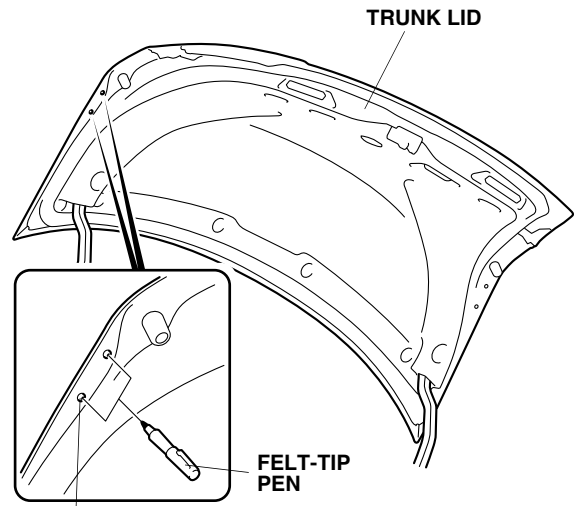
## INSTALLATION

**Customer Information:** The information in this installation instruction is intended for use only by skilled technicians who have the proper tools, equipment, and training to correctly and safely add equipment to your vehicle. These procedures should not be attempted by “do-it-yourselfers.”

### NOTE:

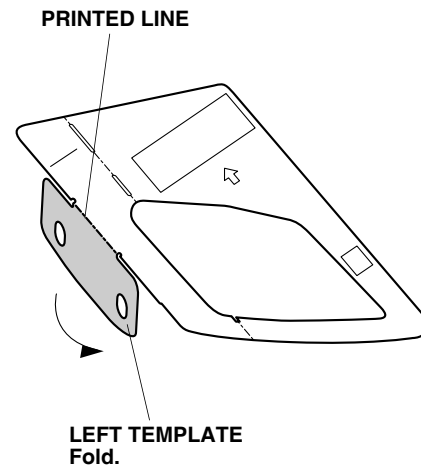
- Be careful not to damage the body paint finish.
- This kit should be installed only if the ambient air temperature is 15°C (60°F) or above.
- To allow the adhesive to cure, do not wash the vehicle for 24 hours. Please advise the customer.

1. Open the trunk lid. Locate the two identification marks on the inside of the trunk lid. Using a felt-tip pen, mark the center of each identification mark as shown.

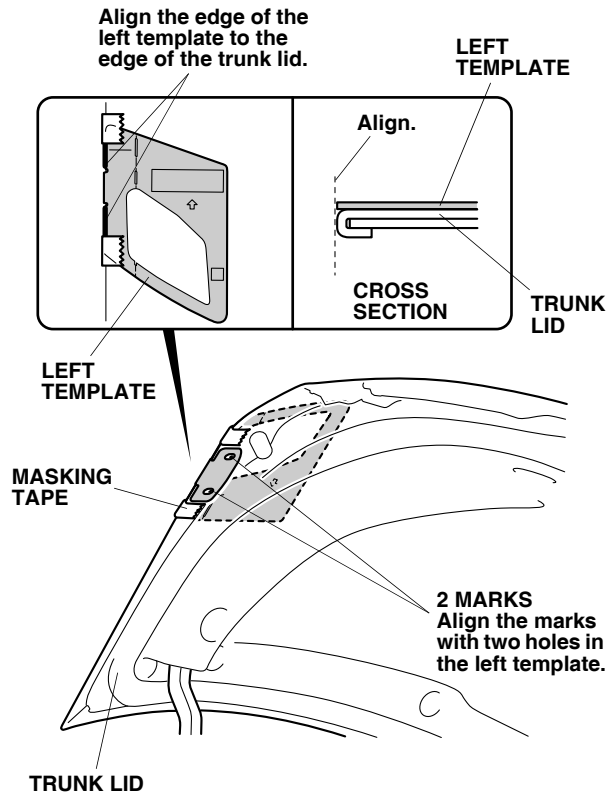


### 2 IDENTIFICATION MARKS

2. Fold the left template along the printed line as shown.

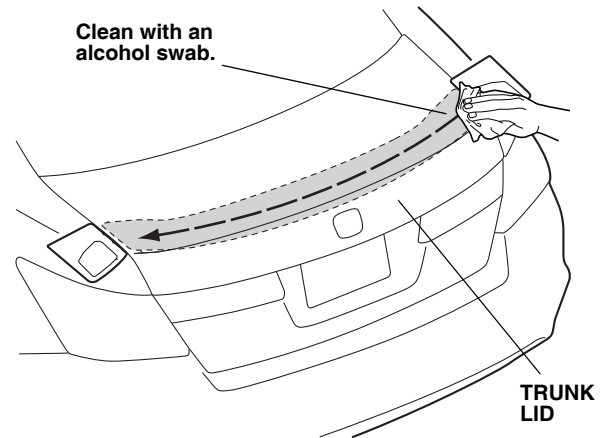


- Align the left template to the trunk lid and attach it with masking tape as shown.

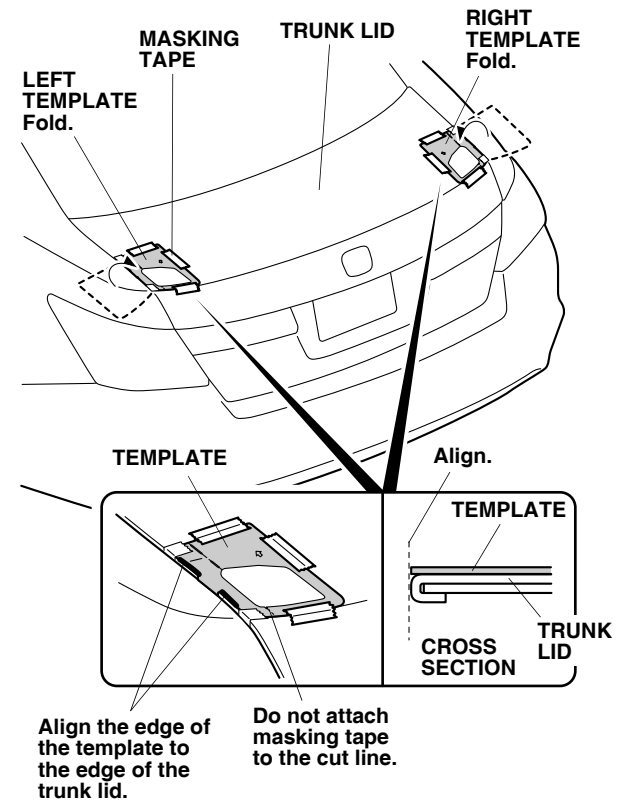


- Repeat steps 1 through 3 to install the right template on the right side of the trunk lid.

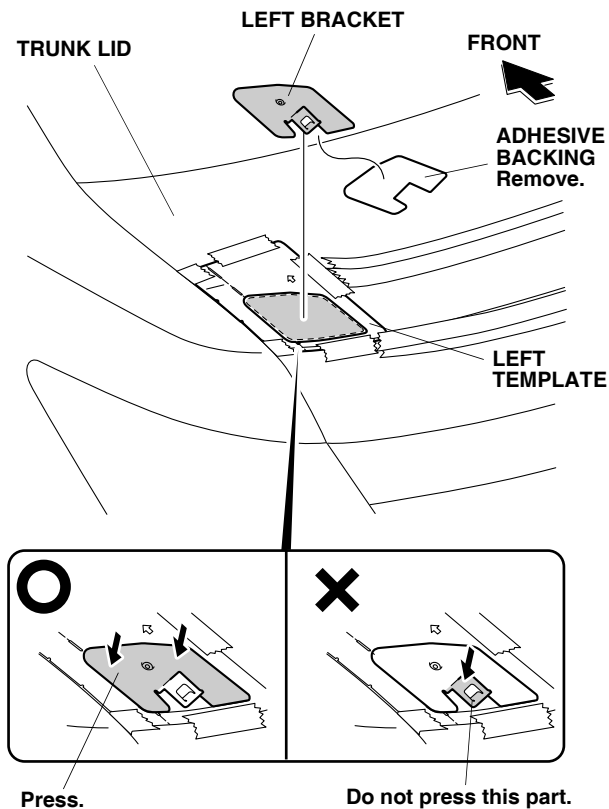
- Close the trunk lid. Using an alcohol swab, thoroughly clean the area where the trunk spoiler will attach.



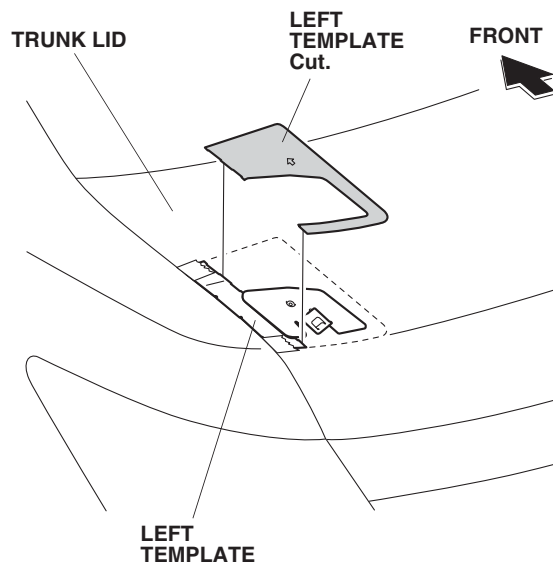
- Align the left and right templates to the trunk lid and attach them with masking tape as shown.



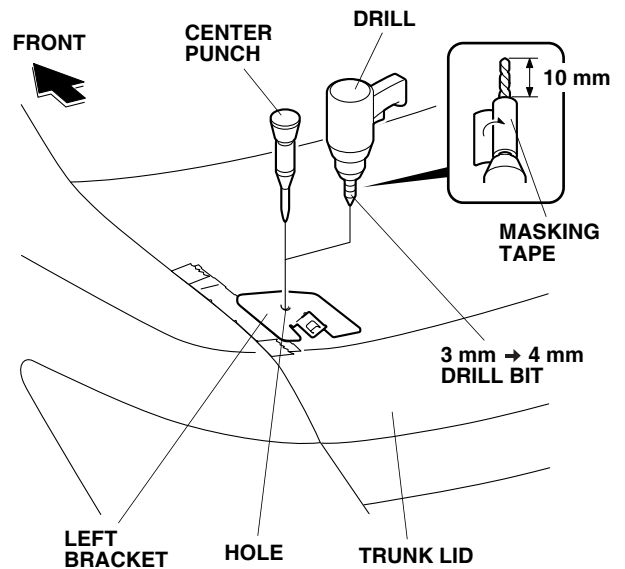
7. Remove the adhesive backing from the left bracket, and attach the left bracket to the trunk lid inside the left template. Using your finger, firmly press the left bracket against the trunk lid for 30 seconds.



8. Cut the left template as shown.



9. Using a center punch, mark the trunk lid through the hole in the left bracket.



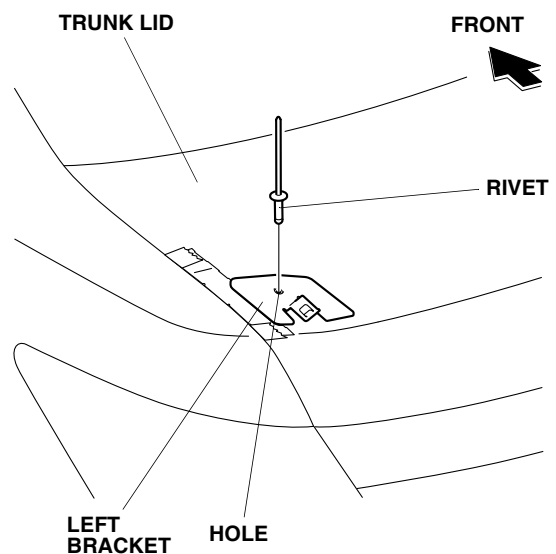
10. While wearing eye protection, drill the mark on the trunk lid with a 3 mm drill bit, then enlarge the hole with a 4 mm drill bit. Remove any burrs.

**NOTE:**

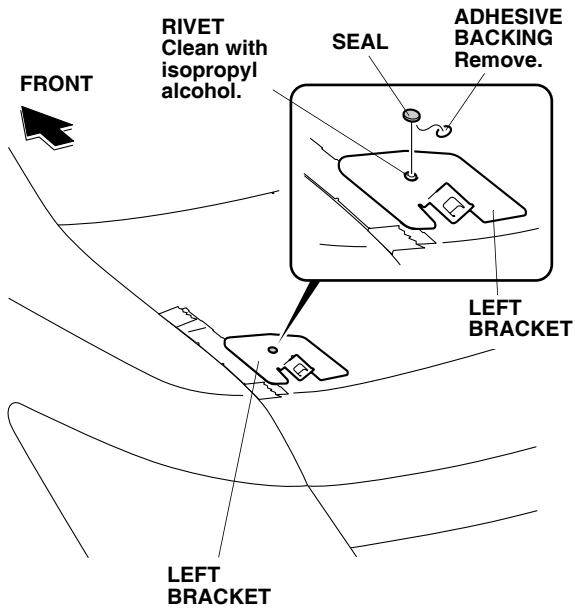
- To prevent damage to the inside of the trunk lid, wrap masking tape around the drill bit 10 mm away from the tip as shown.
- Remove any burrs.

11. Apply touch-up paint to the hole in the trunk lid and allow it to dry thoroughly.

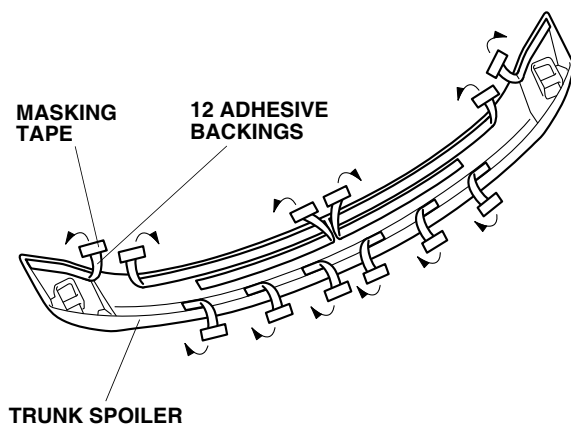
12. Using the HP2 rivet tool, secure the left bracket to the trunk lid with one rivet.



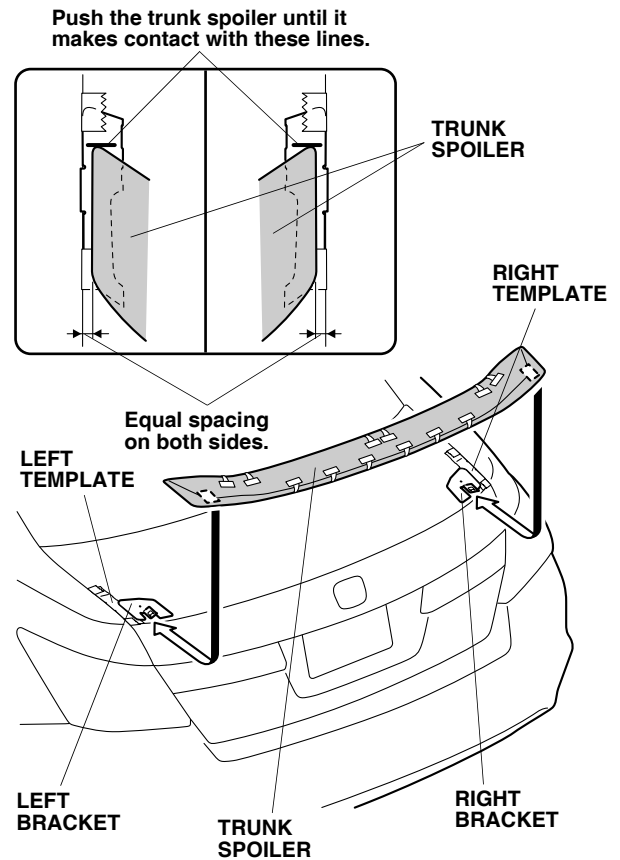
13. Using isopropyl alcohol on a shop towel, thoroughly clean the rivet where the seal will attach.



14. Remove the adhesive backing from one seal, and attach it to the left bracket over the rivet as shown.  
 15. Repeat steps 7 through 14 to install the right bracket on the right side of the trunk lid.  
 16. Attach pieces of masking tape to the ends of the adhesive backings, and temporarily attach them to the outer surface of the trunk spoiler.

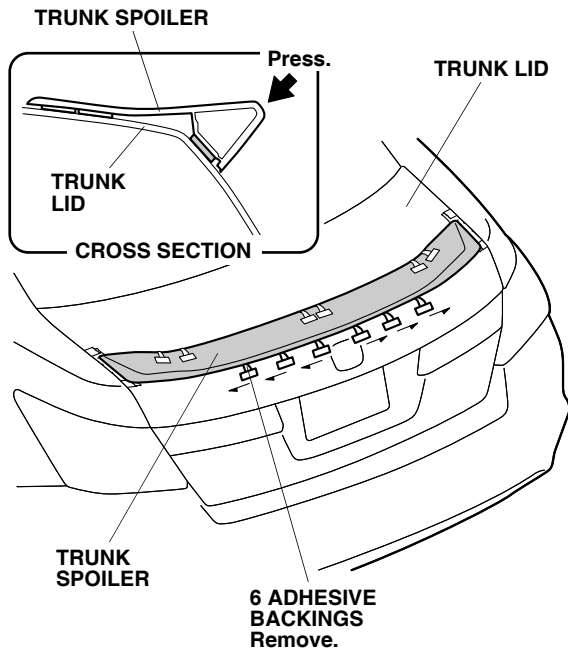


17. Install the trunk spoiler to the left and right brackets as shown. Push the trunk spoiler against the brackets until you hear a click.

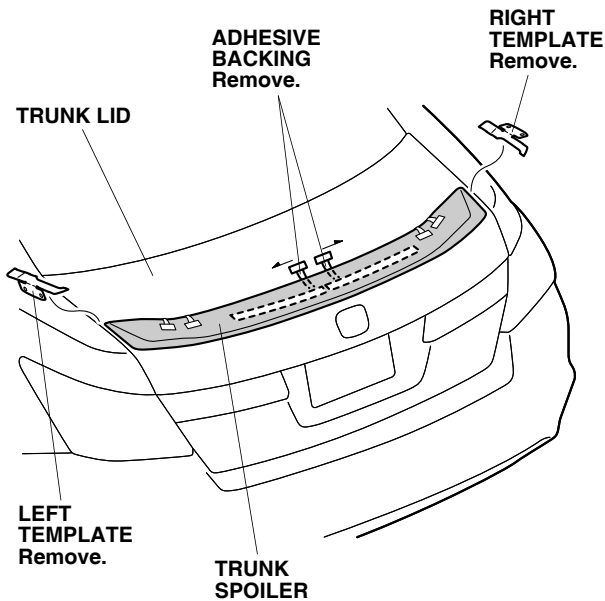


18. Adjust the position of the trunk spoiler so there is equal spacing on both sides. Push the trunk spoiler forward until it makes contact with the lines on the templates.

19. While applying light pressure against the trunk spoiler, carefully remove the six rear adhesive backings as shown.

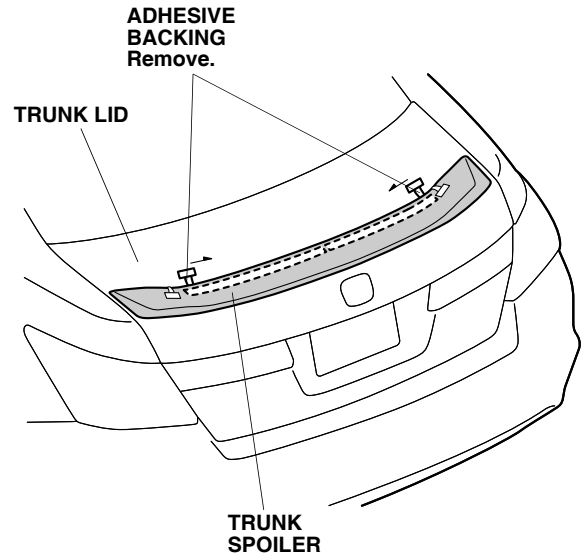


20. Using your hand, firmly press the trunk spoiler against the trunk lid.
21. Open the trunk lid. Remove the left and right templates. Close the trunk lid.

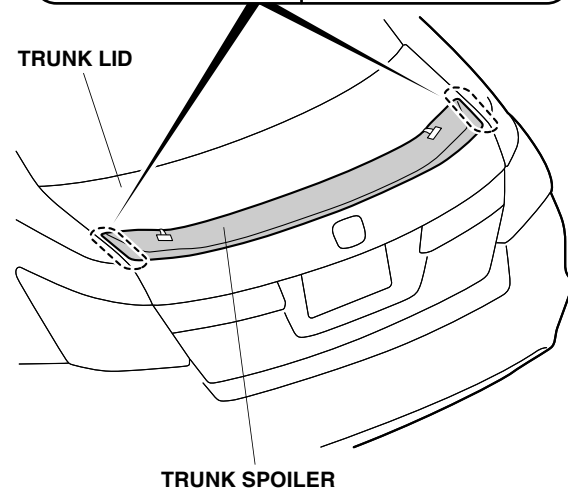
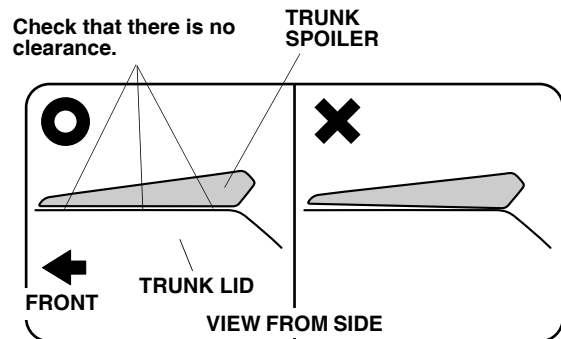


22. While applying light pressure against the trunk spoiler, carefully remove the two center adhesive backings as shown.
23. Using your hand, firmly press the trunk spoiler against the trunk lid.

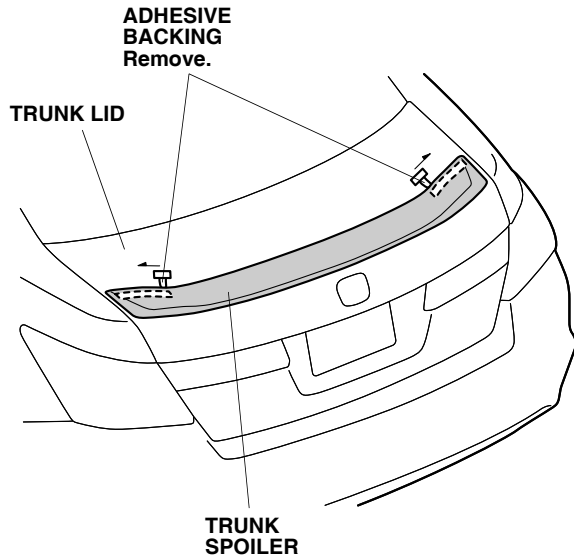
24. While applying light pressure against the trunk spoiler, carefully remove the two center adhesive backings as shown.



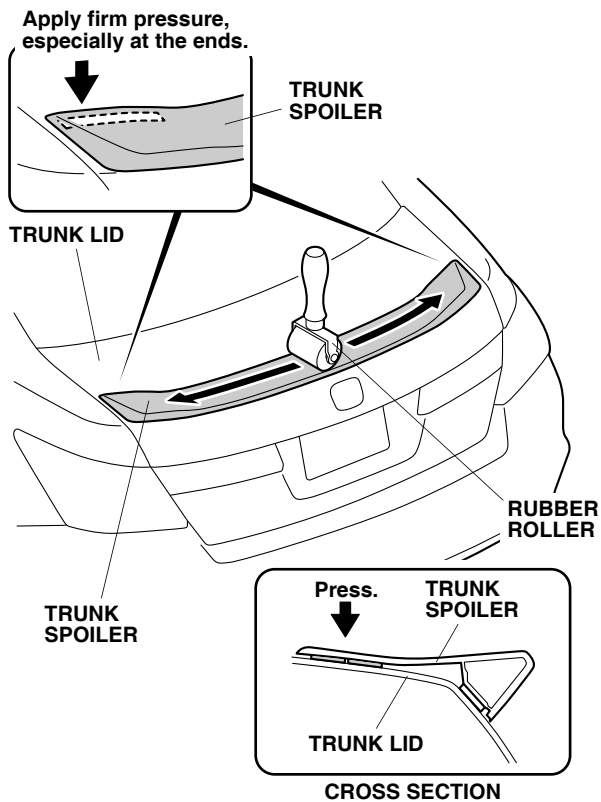
25. Using your hand, firmly press the trunk spoiler against the trunk lid.
26. Visually check that the front of the trunk spoiler is tight against the trunk lid as shown. If it is not tight, gently adjust the position of the trunk spoiler.



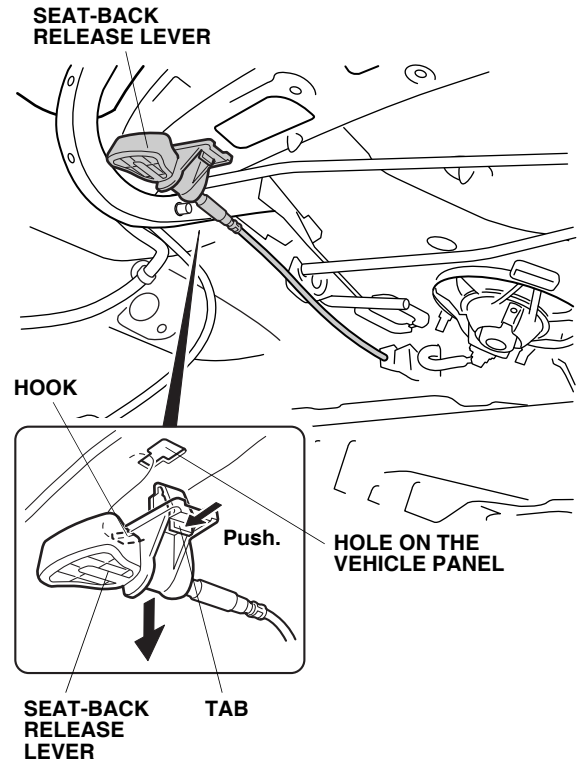
27. While applying light pressure against the trunk spoiler, carefully remove the front outboard adhesive backings as shown.



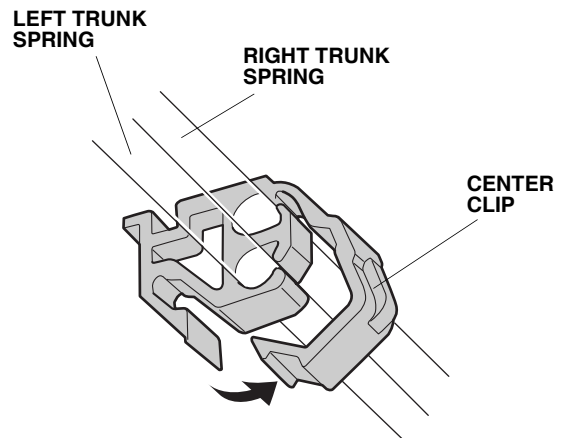
28. Using your hand, firmly press the trunk spoiler against the trunk lid.
29. Using a rubber roller, apply pressure against the trunk spoiler and roll from one end to the other. Apply firm pressure, especially at the ends.



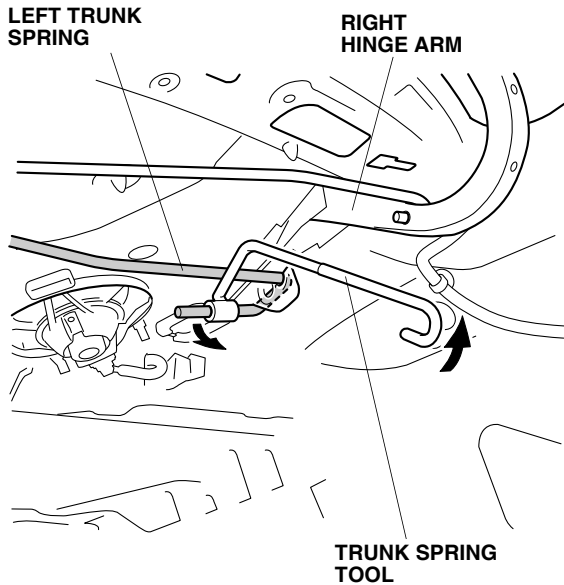
30. Open the trunk lid. Push the tab and pull down the seat-back release lever to release the hook.



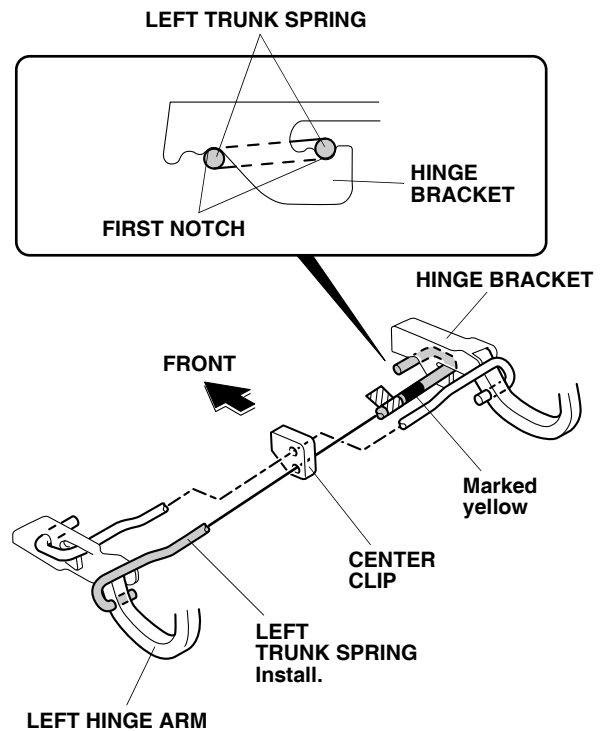
31. Slide the seat-back release lever to the right side, and remove the seat-back release lever from the hole in the vehicle panel.
32. Remove the center clip from the left and right trunk springs.



33. With an assistant holding the trunk lid open, use the trunk spring tool to remove the left trunk spring from the trunk hinge arms. Wear gloves to protect your hands, and pull the trunk spring tool slowly and carefully toward you. Do not remove the vehicle right trunk spring.



34. Install the left trunk spring in the reverse order of removal:
- Set the tool on the marked end of the trunk spring.
  - Install the yellow marked spring in the slot in the left (driver's) side trunk hinge arm and in the hinge bracket on the right (passenger's) side of the vehicle.
  - Wearing gloves, rotate the tool as you pull it toward you.
  - Set the spring in the first notch (original position) of the hinge bracket.



35. Reinstall the center clip.
36. Reinstall the seat-back release lever.
37. Make sure the trunk lid stays open on its own. If it will not stay open, adjust the trunk springs to the second position.