



**INSTALLATION
INSTRUCTIONS**

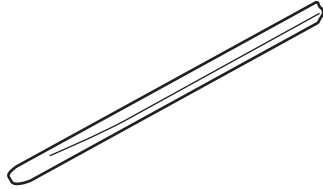
Accessory
BODY SIDE MOLDING
P/N 08P05-TA0-100

Application
2009 ACCORD
4-DOOR

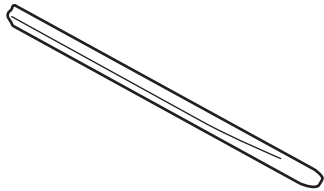
Publications No.
All 39945
Issue Date
JULY 2008

PARTS LIST

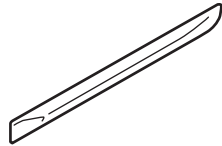
Left front side protector



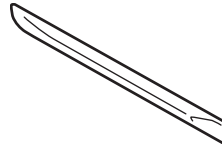
Right front side protector



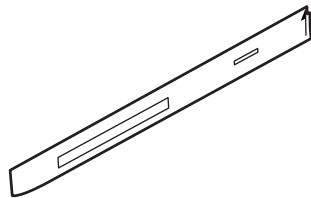
Left rear side protector



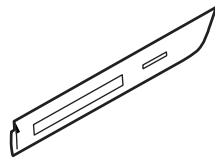
Right rear side protector



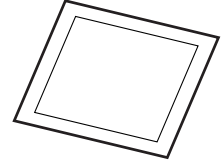
Front template



Rear template



4 Alcohol swabs



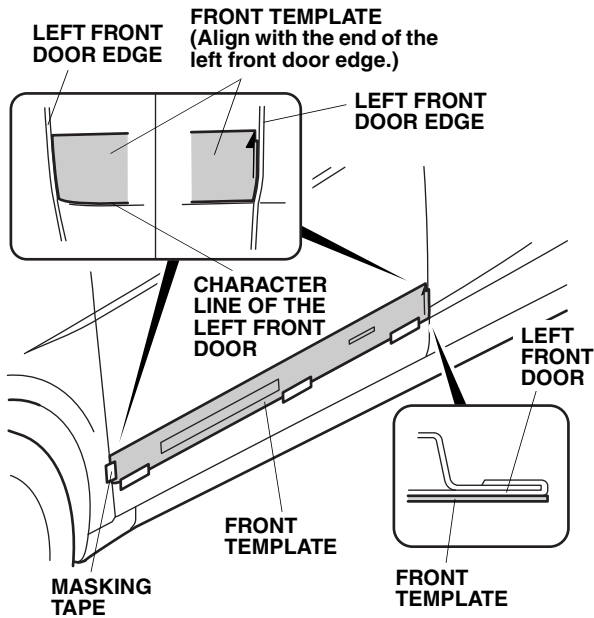
TOOLS AND SUPPLIES REQUIRED

- Shop towel
- Masking tape
- Rubber roller (T/N: MHLE54D)

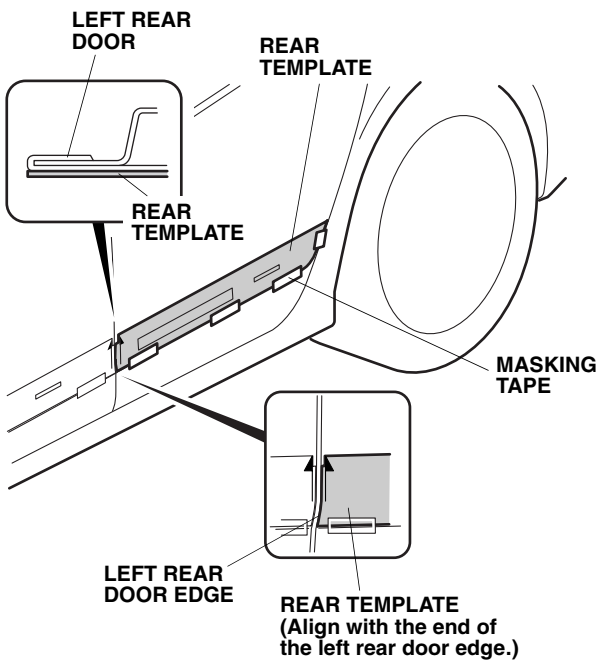
INSTALLATION

- Be careful not to damage the body paint finish.
- This body side molding kit should be installed only if the ambient air temperature is 60° F (15°C) or above.
- To allow the adhesive to cure, do not wash the vehicle for 24 hours.
- These instructions are for the left side of the vehicle. The same procedure applies to the right side of the vehicle.
- If you are also installing door edge guards (sold separately), install them before you install the body side moldings.

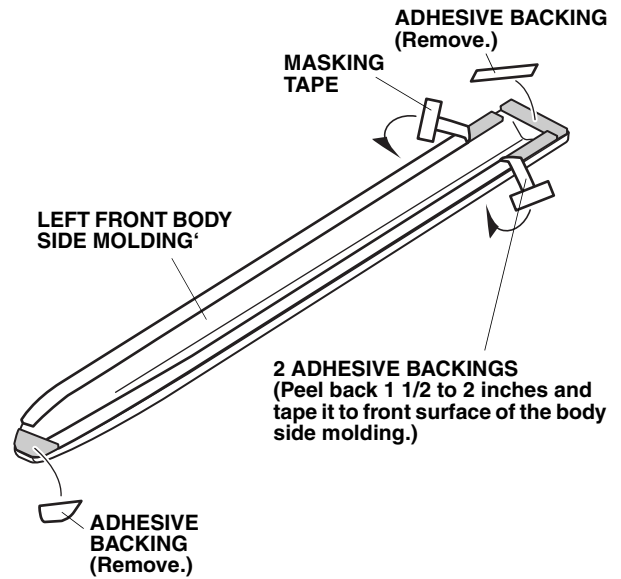
1. Position the front template in the position shown by aligning it with the end of the left front door edges and the character line of the left front door. Secure the template with masking tape as shown.



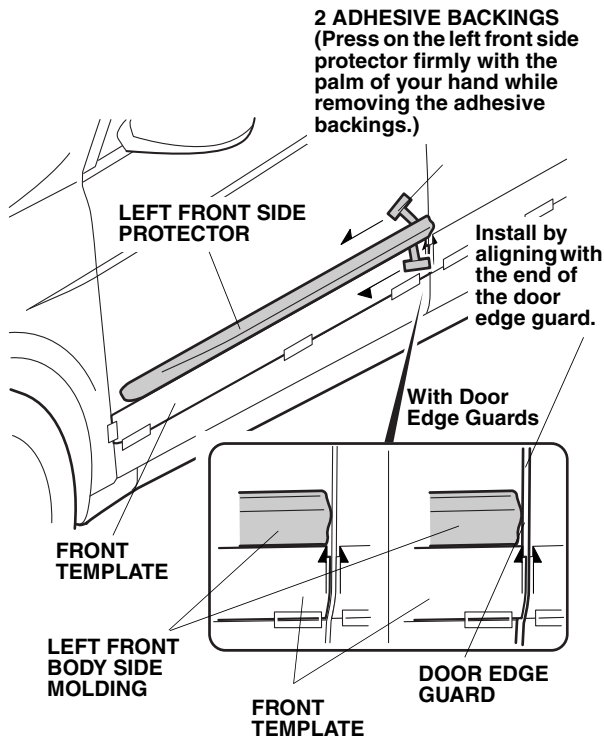
2. Position the rear template in the position shown by aligning it with the end of the left rear door edge. Secure the rear template with masking tape as shown.



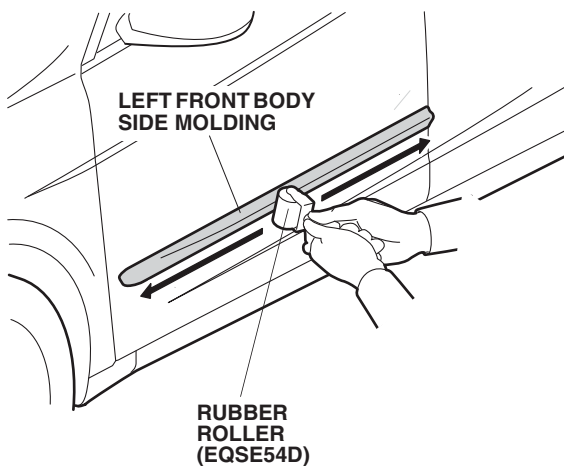
3. Clean the surface where the left side protectors will attach using the alcohol swab. Allow the alcohol to dry.
4. Peel back approximately 1 1/2 to 2 inches of adhesive backing from each adhesive tape, and tape the ends to the front surface of the body side molding. Remove the small end pieces of the adhesive backing.



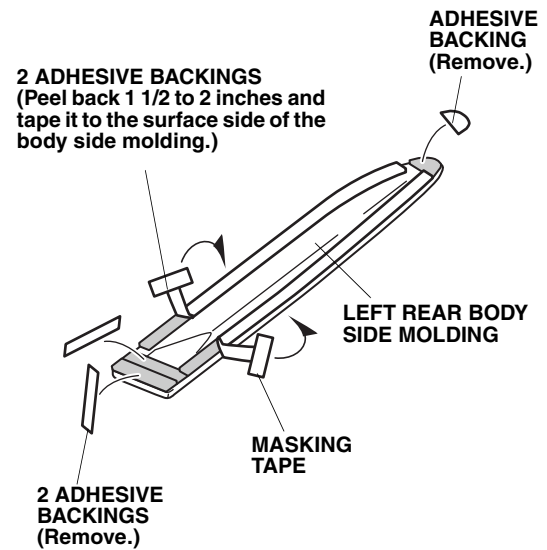
- Align the end of the left front body side molding with the front template as shown and temporarily attach it along the top end of the front template.



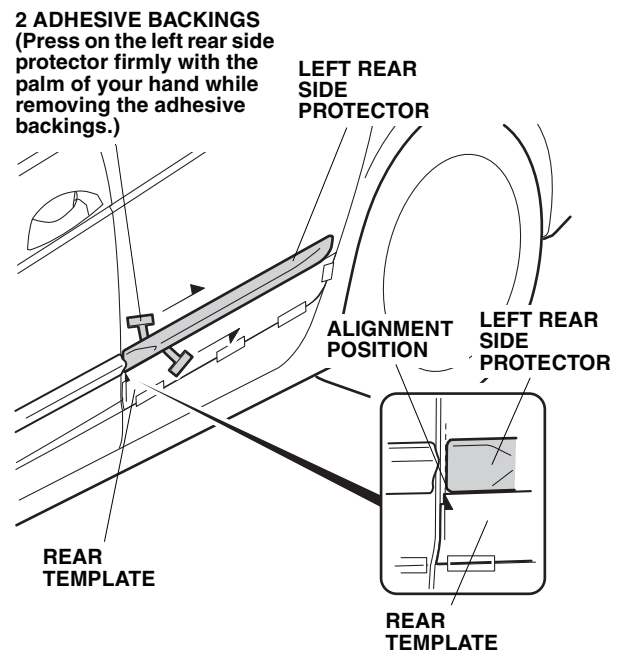
- Press on the left front body side molding firmly with the palm of your hand while removing the adhesive backings. Remove about 2 to 4 inches at a time while pressing on the molding with the palm of your hand.
- Remove the front template.
- Using the rubber roller, apply firm pressure while rolling to set the adhesive.



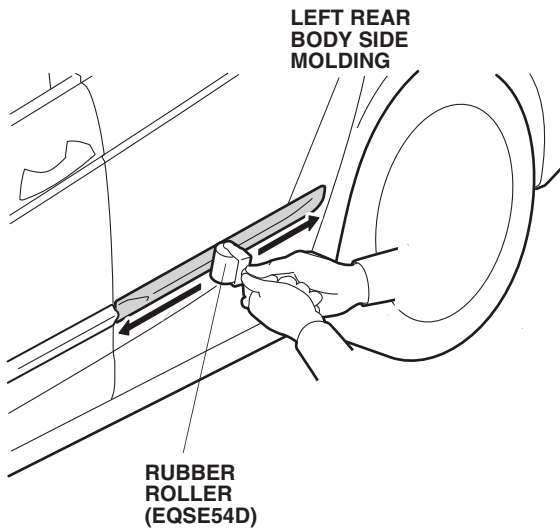
- Peel back approximately 1 1/2 to 2 inches of the adhesive backing from each adhesive tape, and tape the ends to the outside surface of the body side molding.



- Align the end of the left rear body side molding with the rear template as shown and temporarily attach it along the top end of the rear template.



11. Press on the left rear body side molding firmly with the palm of your hand while removing the adhesive backings. Remove about 2 to 4 inches at a time pressing on the molding with the palm of your hand.
12. Remove the rear template.
13. Using a rubber roller apply firm pressure while rolling to set the adhesive.



14. Turn the templates over and repeat steps 1 thru 12 to install the body side molding on the right side of the vehicle.