



**INSTALLATION  
INSTRUCTIONS**

Accessory

**SPLASH GUARD SET  
P/N 08P00-TA0-100**

Application

**2008 ACCORD  
4-DOOR**

Publications No.

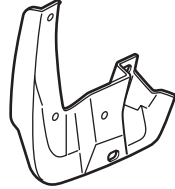
**All 35369**

Issue Date

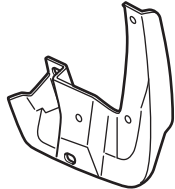
**AUG 2007**

**PARTS LIST**

Right front splash guard



Left front splash guard



Right rear splash guard



Left rear splash guard



12 Self-tapping screws, 5 x 25 mm



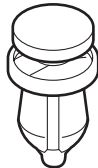
2 Spring nuts



2 Grommets



2 Clips



**TOOL AND SUPPLIES REQUIRED**

Stubby Phillips screwdriver

Pushpin

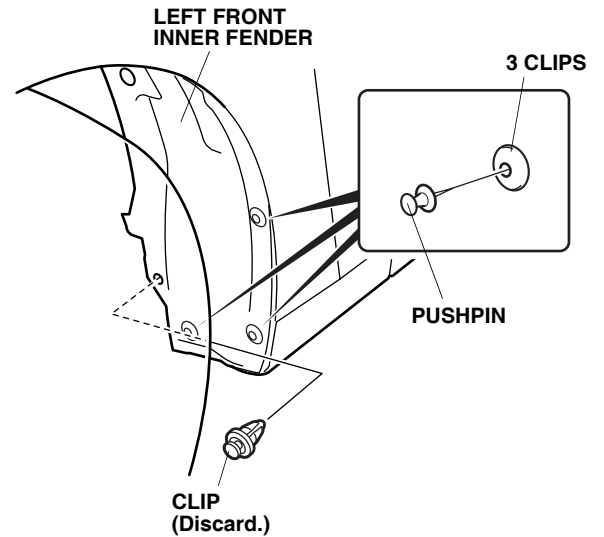
**INSTALLATION**

**NOTE:**

- These instructions show the left splash guard being installed. The same procedure applies to installing the right splash guard.
- Clean and wax the areas to be covered with a high quality paste wax.

**Installing the Front Splash Guards**

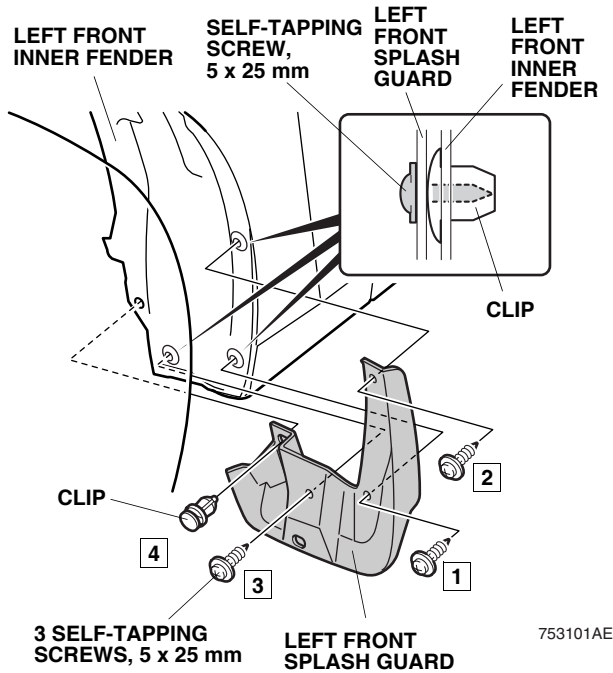
1. Turn the steering wheel all the way counterclockwise.
2. Remove the clip from the left front inner fender as shown.



7125560B

3. Using a pushpin, make small holes through the center of the three clips.

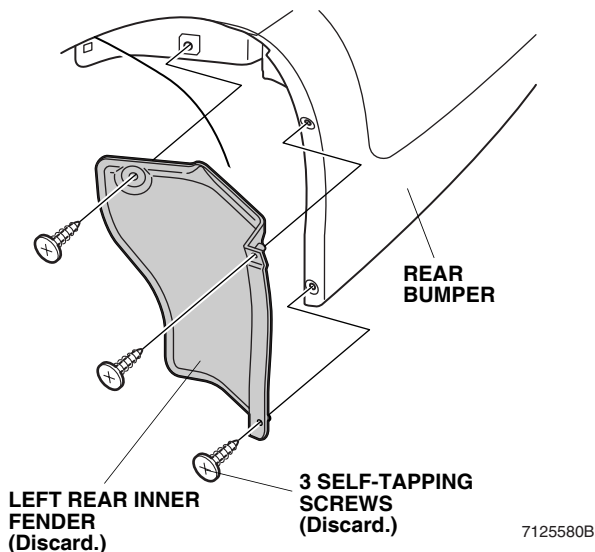
- Install the left front splash guard using the three 5 x 25 mm self-tapping screws, and one clip ( 1 → 2 → 3 → 4 ). Do not tighten the 5 x 25 mm self-tapping screws yet.



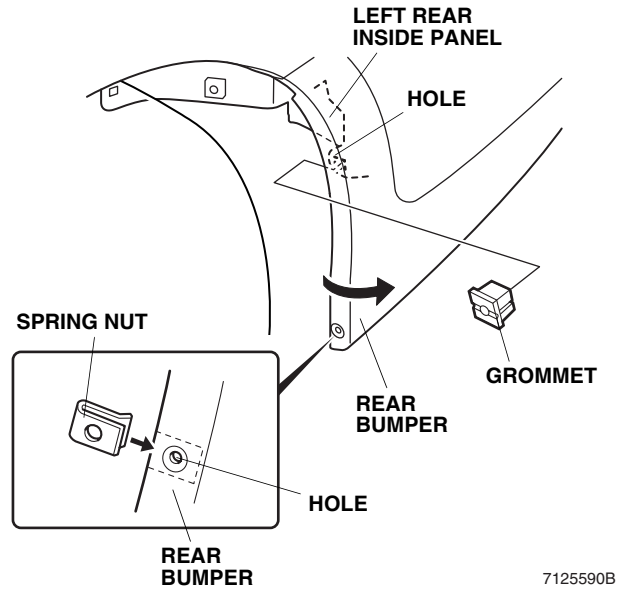
- While holding the left front splash guard against the left front inner fender, tighten the 5 x 25 mm self-tapping screws in the order shown.
- Turn the steering wheel all the way clockwise, and repeat steps 2 through 5 to install the right front splash guard.

### Installing the Rear Splash Guards

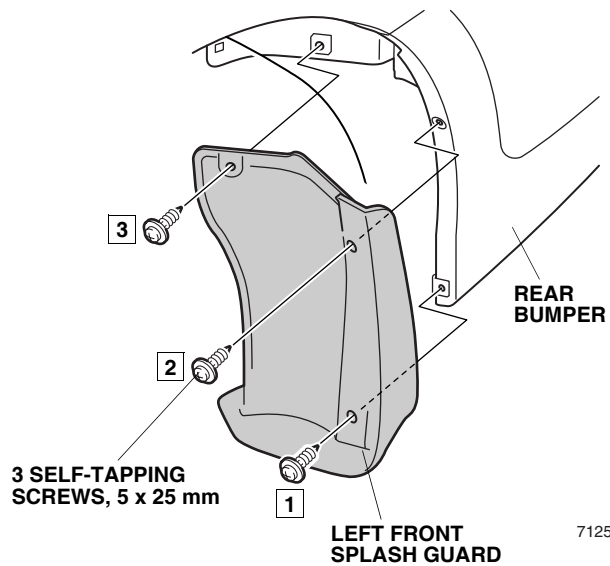
- Remove the three self-tapping screws from the left rear inner fender.
- Remove and discard the left rear inner fender.



- Install the grommet into the hole in the left rear inside panel. Slide the spring nut over the hole in the rear bumper lower hole.



- Install the left rear splash guard using the three self-tapping screws ( 1 → 2 → 3 ). Do not tighten the 5 x 25 mm self-tapping screws yet.



- While holding the left rear splash guard against the left rear bumper, tighten the 5 x 25 mm self-tapping screws in the order shown.
- Repeat steps 7 through 11 to install the right rear splash guard.