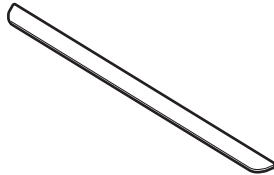


<b>INSTALLATION INSTRUCTIONS</b>	Accessory	Application	Publications No.
	<b>SIDE STEP GARNISH COVER</b> P/N 08F05-TC0-700	<b>2008 ACCORD</b>	Issue Date <b>NOV. 2007</b>

**PARTS LIST**

2 Front side step garnish covers



2 Rear side step garnish covers



**TOOLS AND SUPPLIES REQUIRED**

- Shop towel
- Masking tape
- Contact cleaner
- Tape
- Scale

**BEFORE YOU BEGIN**

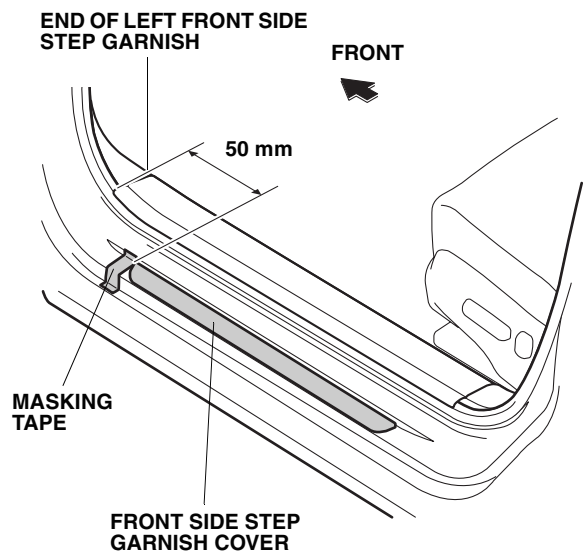
**Customer Information**

- Using contact cleaner on a shop towel, thoroughly clean the area where the side step garnish cover will be attached. Use a shop towel to apply the contact cleaner and wipe up spills at once. Allow the contact cleaner to dry thoroughly before attaching the side step garnish cover.
- Be careful not to damage the body paint finish.
- This side step garnish cover kit should be installed only if the ambient air temperature is 15°C (60°F) or above.
- To allow the adhesive to cure, do not wash the car for 24 hours.
- Attach part or double-sided adhesive tape properly at one try. Your attempt to detach the part or double-sided adhesive tape to correct installation and then to attach it again can damage the part or deteriorate the bonding performance of the double-sided adhesive tape.

**INSTALLATION**

**Installing the Front Side Step Garnish Cover**

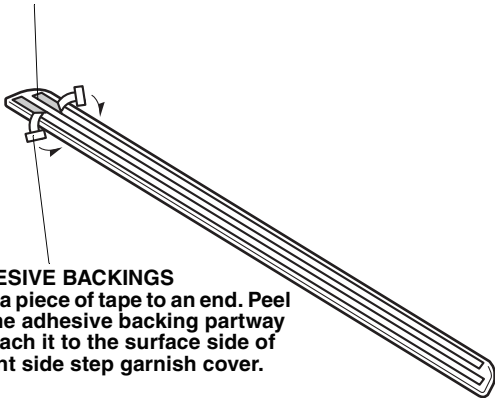
1. Open the left front door.
2. Align the front side step garnish cover with the left front side step garnish to check the installation location of the cover. Mark the location with masking tape.



772506BE

3. Clean the surface where the front side step garnish cover will be installed using contact cleaner.
4. Attach a piece of tape to an end of the two adhesive backings on the backside of the front side step garnish cover. Peel back the adhesive backing partway and temporarily attach them to the surface side of the front side step garnish cover as shown.

**FRONT SIDE STEP GARNISH COVER**



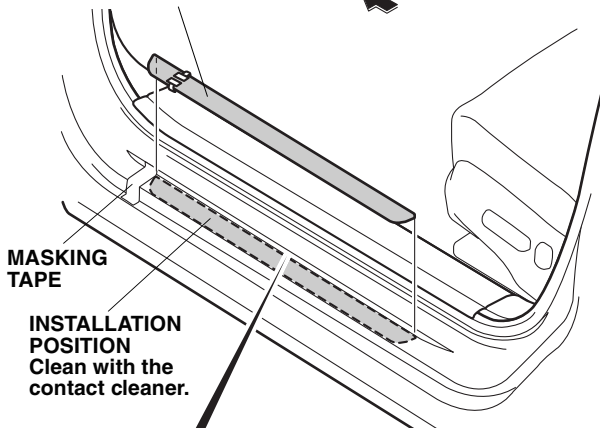
**2 ADHESIVE BACKINGS**  
Attach a piece of tape to an end. Peel back the adhesive backing partway and attach it to the surface side of the front side step garnish cover.

790709AB

5. Align the end of the front side step garnish cover with the masking tape and install the front side step garnish cover.

**FRONT SIDE STEP GARNISH COVER**

**FRONT**



**MASKING TAPE**

**INSTALLATION POSITION**  
Clean with the contact cleaner.

**FRONT SIDE STEP GARNISH COVER**

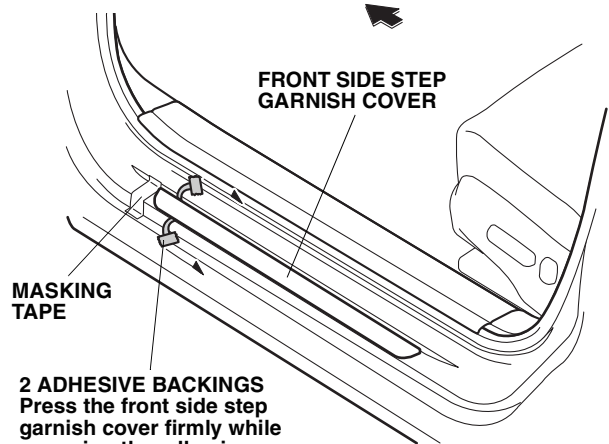
**END OF CURVED SURFACE**

**SECTION VIEW**

772507CE

6. Press the front side step garnish cover firmly to attach while removing the adhesive backings that you temporarily attached to the surface side.
7. Remove the masking tape.
8. Close the left front door.
9. Repeat the procedure on the right side.

**FRONT**



**FRONT SIDE STEP GARNISH COVER**

**MASKING TAPE**

**2 ADHESIVE BACKINGS**  
Press the front side step garnish cover firmly while removing the adhesive backings.

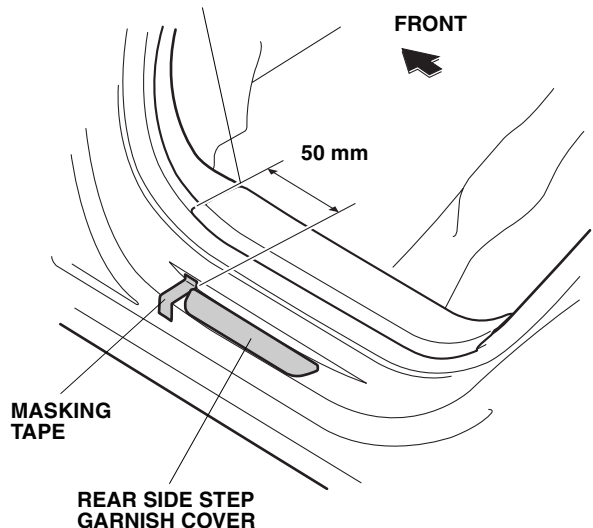
790710AB

### Installing the Rear Side Step Garnish Cover

10. Open the left rear door.
11. Align the rear side step garnish cover with the left rear side step garnish to check the installation location of the cover. Mark the location with masking tape.

**END OF LEFT REAR SIDE STEP GARNISH**

**FRONT**



50 mm

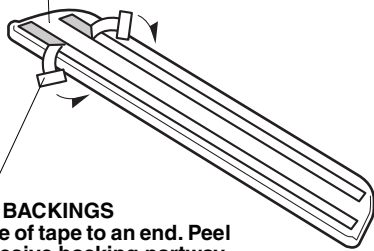
**MASKING TAPE**

**REAR SIDE STEP GARNISH COVER**

772508BE

12. Clean the surface where the rear side step garnish cover will be installed using contact cleaner.
13. Attach a piece of tape to an end of the two adhesive backings on the backside of the rear side step garnish cover. Peel back the adhesive backings partway and temporarily attach them to the surface side of the rear side step garnish cover as shown.

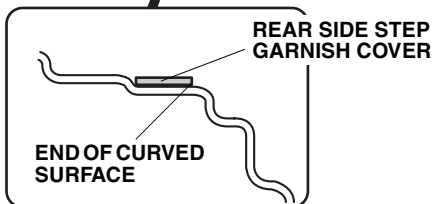
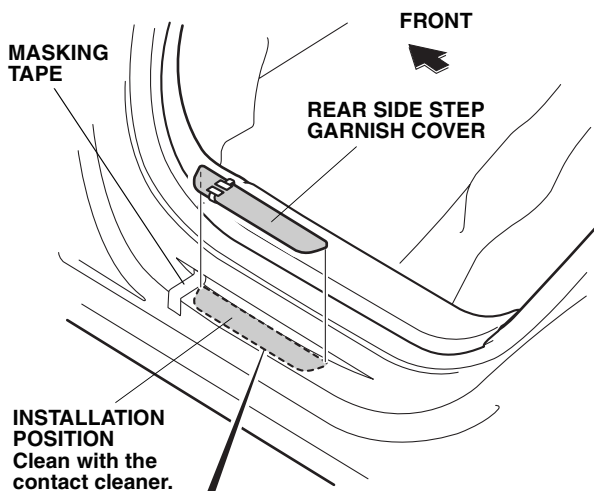
REAR SIDE STEP GARNISH COVER



**2 ADHESIVE BACKINGS**  
Attach a piece of tape to an end. Peel back the adhesive backing partway and attach it to the surface side of the rear side step garnish cover.

790711AB

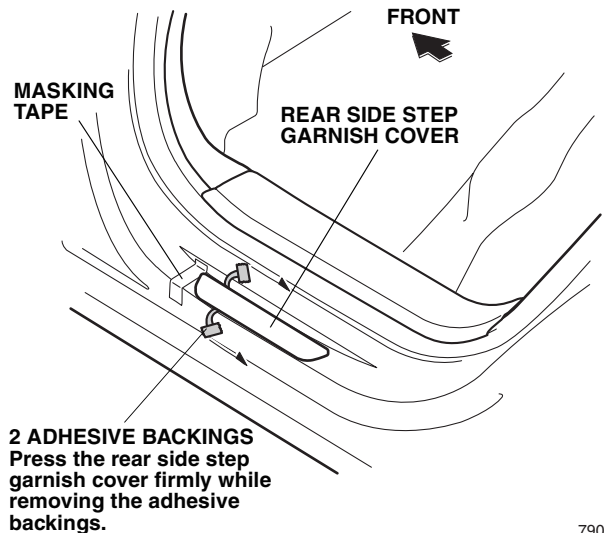
14. Align the end of the rear side step garnish cover with the masking tape and install the rear side step garnish cover.



SECTION VIEW

772509CE

15. Press the rear side step garnish cover firmly to attach while removing the adhesive backings that you temporarily attached to the surface side.
16. Remove the masking tape.
17. Close the left rear door.
18. Repeat the procedure on the right side.



**2 ADHESIVE BACKINGS**  
Press the rear side step garnish cover firmly while removing the adhesive backings.

790712AB