



**INSTALLATION  
INSTRUCTIONS**

Accessory  
**REAR CAMERA  
ATTACHMENT KIT**

Application  
**2008 ACCORD  
4-DOOR**

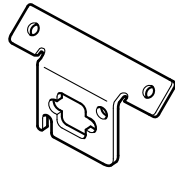
Publications No.  
**All 37095-38880**

Issue Date  
**FEB 2008**

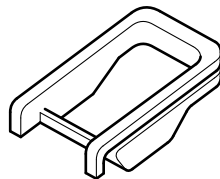
**PARTS LIST**

**Rear Camera Attachment Kit  
P/N 08B77-TA0-100**

Rear camera bracket



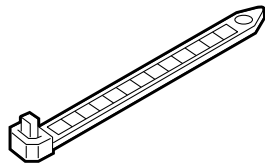
Rear camera trim



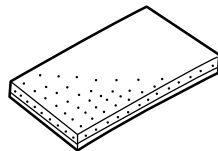
Rear camera harness



37 Wire ties



EPT sealer



2 Washer-screws, 4 x 14 mm



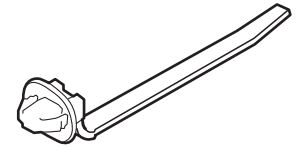
Grommet



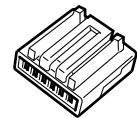
2 Well-nuts



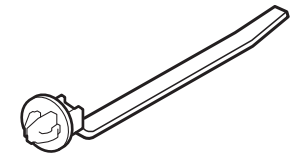
2 Wire ties with clip A



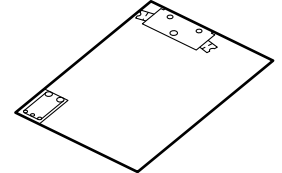
6-Pin connector



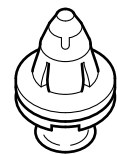
7 Wire ties with clip B



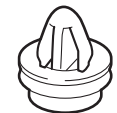
Template



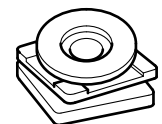
4 Clips A



Clip B



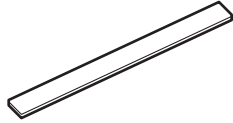
4 Nuts



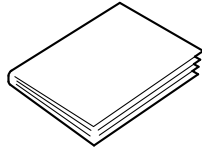
2 Clips C



2 Tapes

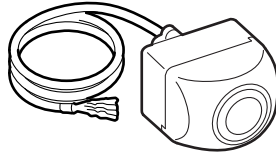


Accessory User's Information Manual



**Rear Camera  
P/N 08A77-6K1-370**

Rear camera



2 Screws, 3 x 6 mm



**TOOLS AND SUPPLIES REQUIRED**

Phillips screwdriver

Flat-tip screwdriver

Ratchet

8 mm and 10 mm Socket

Pushpin

Felt-tip pen

Drill

3 mm, 5 mm, 6 mm, 8 mm, and 10 mm Drill bit

Ruler

Eye protection (safety goggles, face shield, etc.)

10 mm Combination wrench

File

Diagonal cutters

Utility knife

Scissors

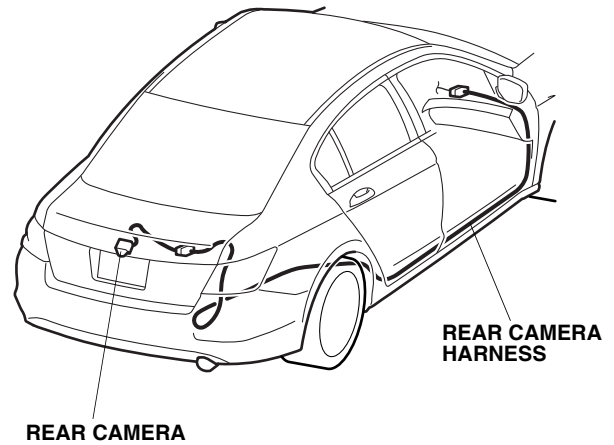
Center punch

Hacksaw blade

Touch-up paint

Electrical tape

***Illustration of the Rear Camera Attachment Kit  
Installed on the Vehicle***

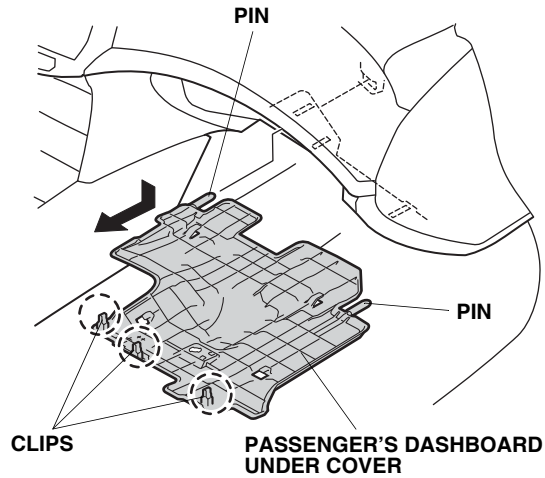


## INSTALLATION

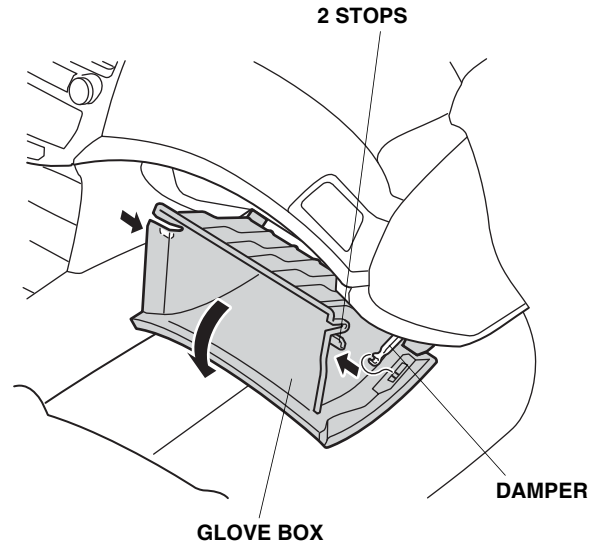
**Customer Information:** The information in this installation instruction is intended for use only by skilled technicians who have the proper tools, equipment, and training to correctly and safely add equipment to your vehicle. These procedures should not be attempted by "do-it-yourselfers."

Install the backup camera first if both the backup camera and a trailer hitch are to be mounted on the vehicle.

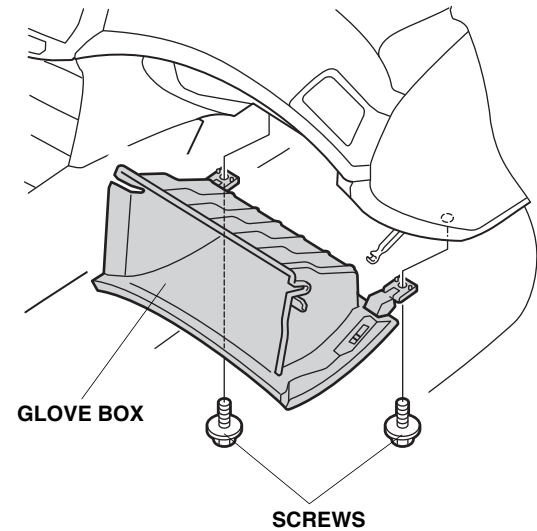
1. Make sure you have the anti-theft codes for the radio and navigation system (if equipped), then write down the radio presets.
2. Disconnect the negative cable from the battery.
3. **V6 MODEL only:** Remove the passenger's dashboard under cover (three clips and two pins).



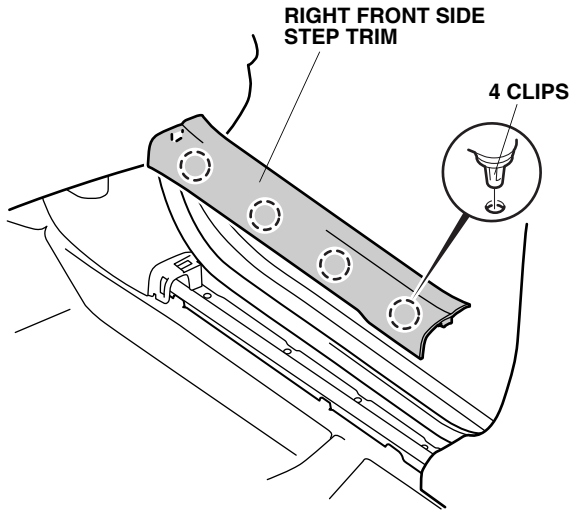
4. Release the glove box (damper and two stops).



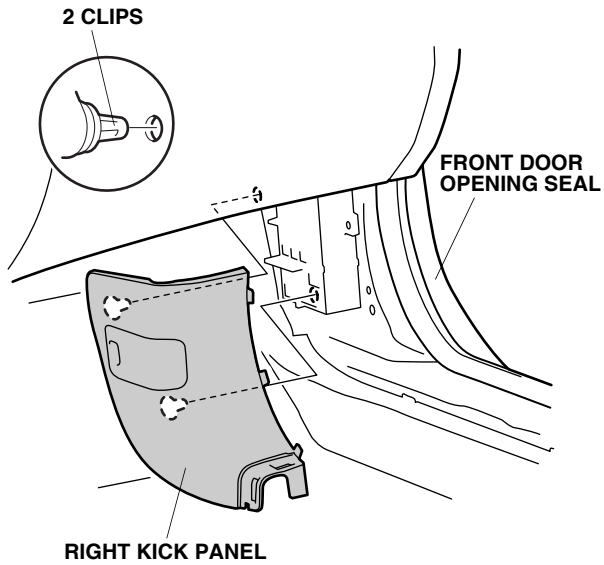
5. Remove the glove box (two screws).



6. Remove the right front side step trim (four clips).

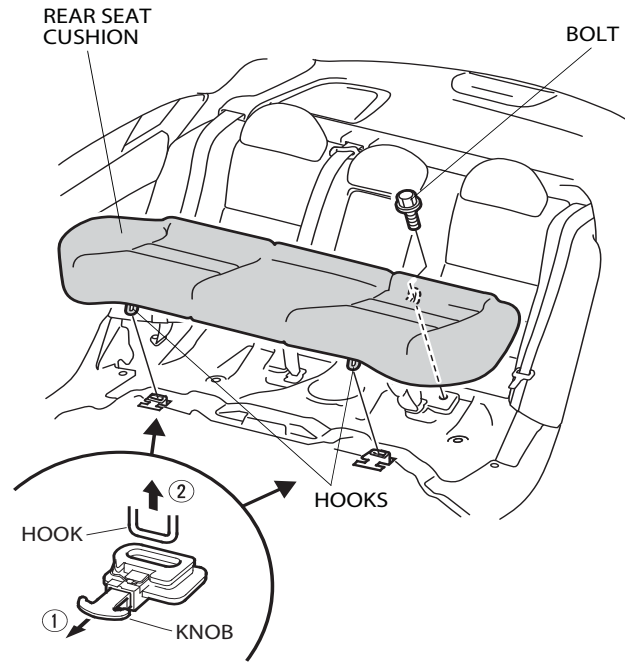


7. Pull away the front door opening seal in the area shown.

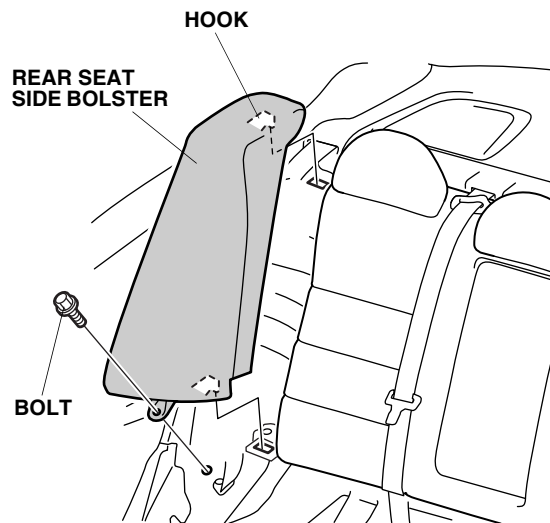


8. Remove the right kick panel (two clips).

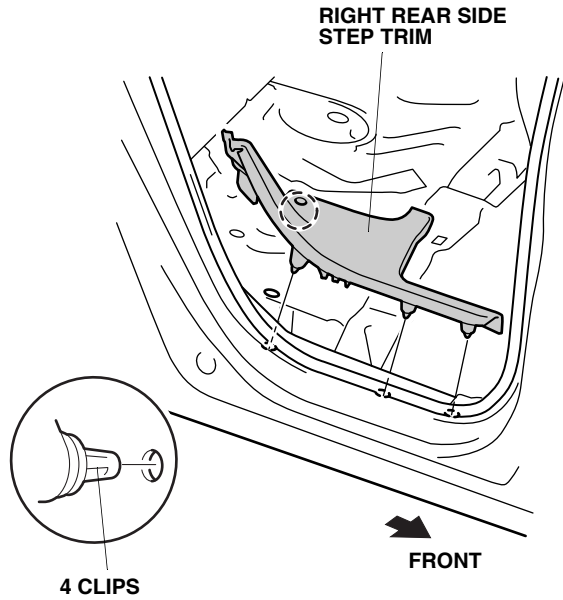
9. Remove the rear seat cushion (one bolt and release the two hooks).



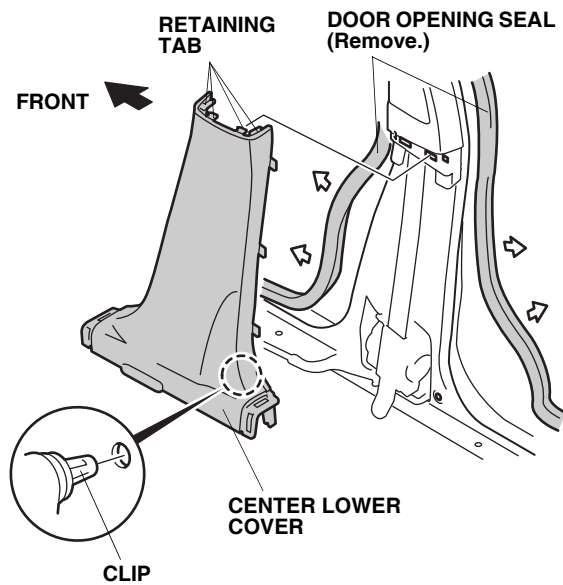
10. Remove the right seat side bolster (one bolt and release the one hook).



11. Remove the right rear side step trim (four clips).

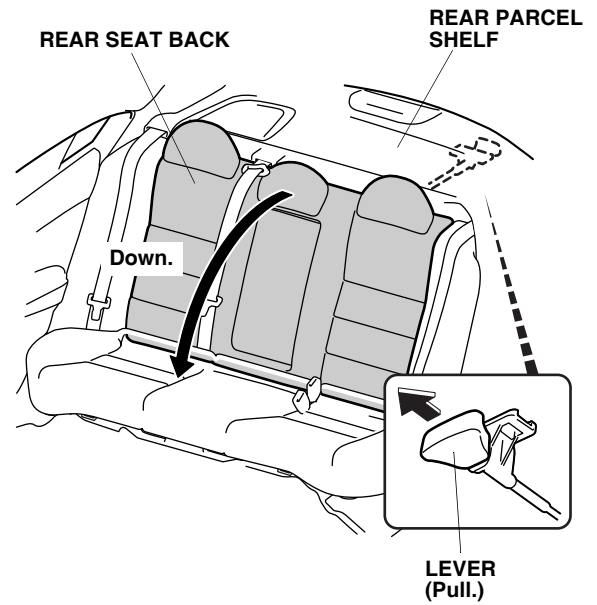


12. Pull away the door opening seal in the area shown.

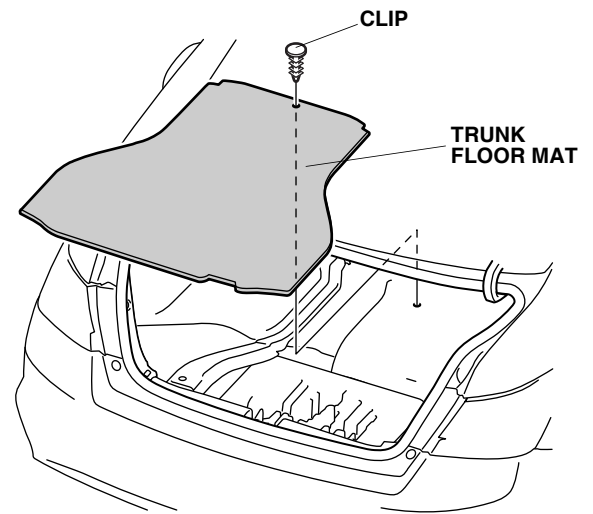


13. Remove the right center lower cover (one clip and four retaining tabs).

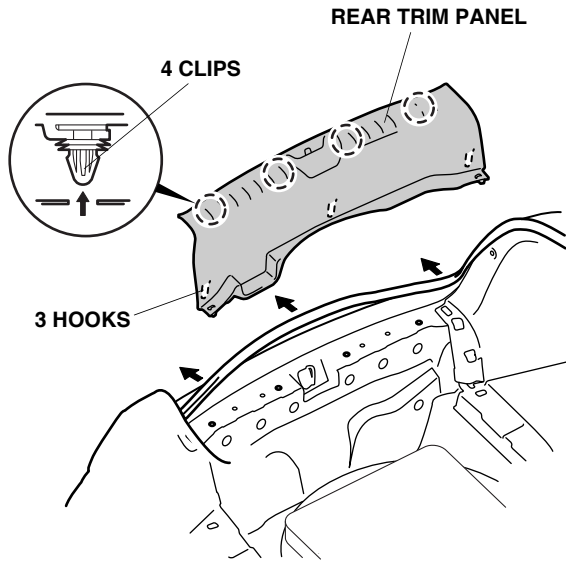
14. Fold down the rear seat back by pulling the lever under the rear parcel shelf inside the trunk.



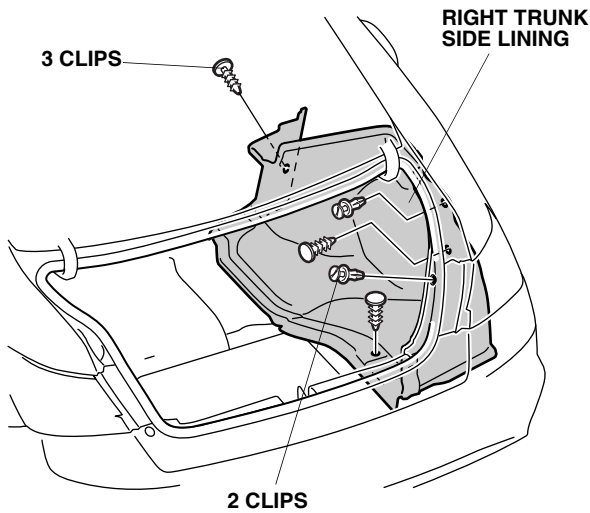
15. Remove the trunk floor mat (one clip).



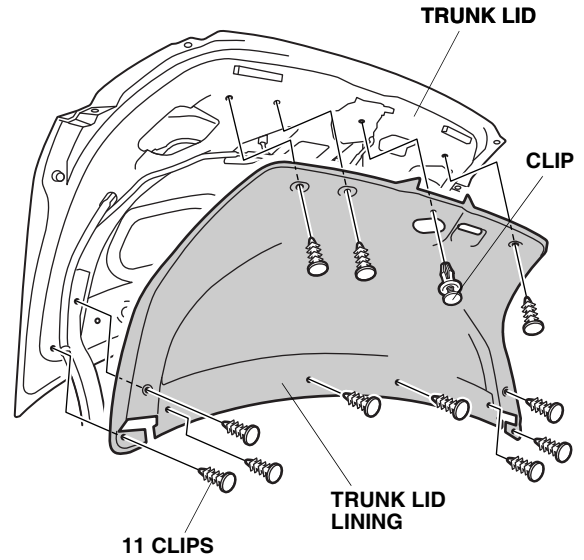
16. Remove the rear trim panel (four clips and three hooks).



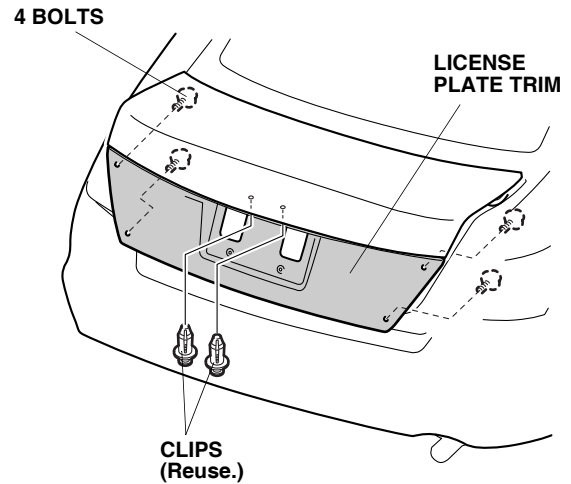
17. Remove the right trunk side lining (five clips).



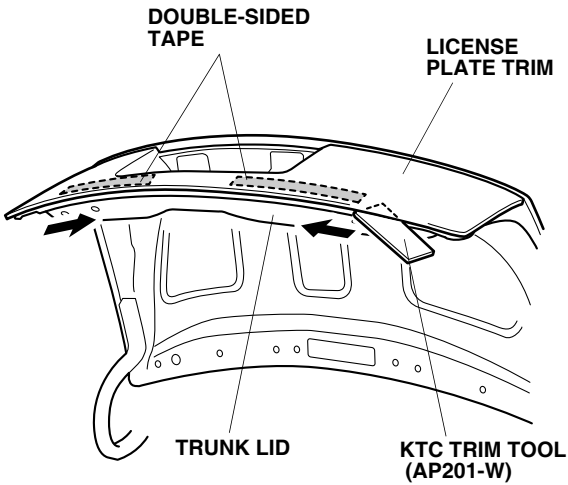
18. **V6 MODEL only:** Remove the trunk lid lining (12 clips).



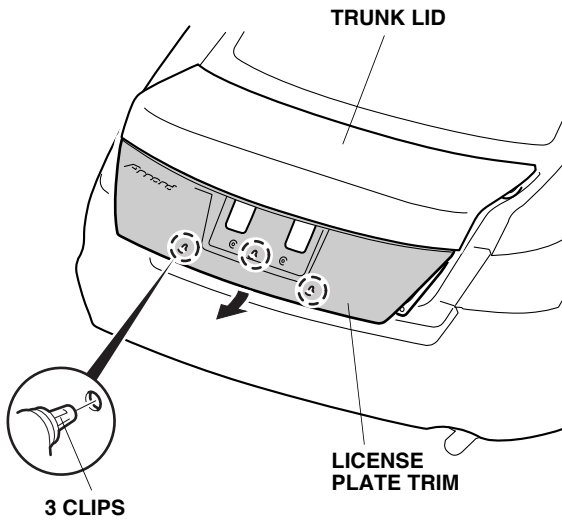
19. Remove four bolts and two clips from the license plate trim. Remove the license plate.



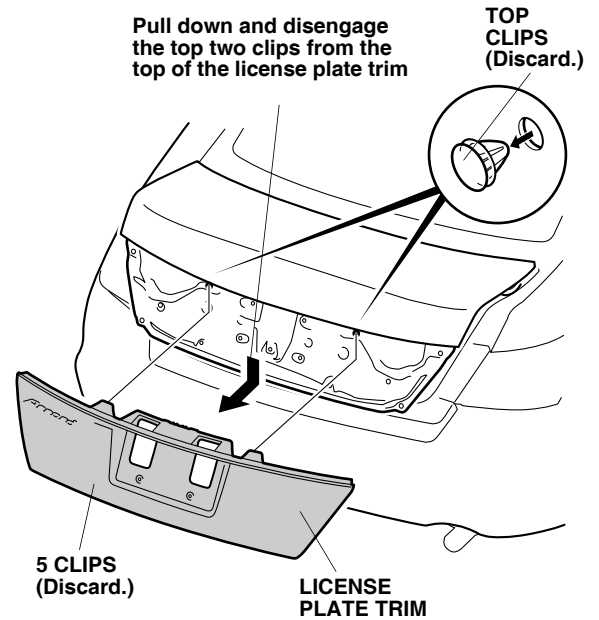
20. Insert the KTC trim tool (AP201-W) between the license plate trim and the trunk lid. Move the tool left and right to peel off the double-sided tape in between.



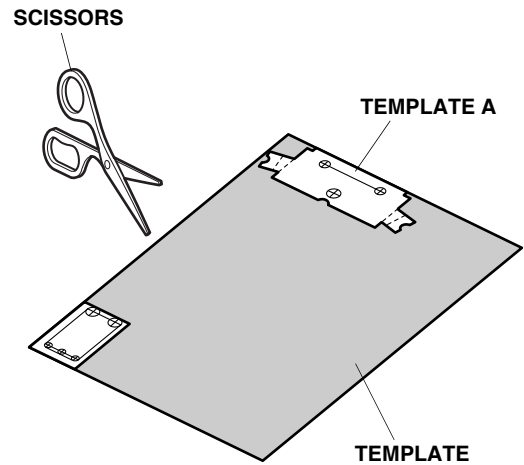
21. Pull out on the license plate trim and disengage the lower three clips. Do not remove the license plate trim yet.



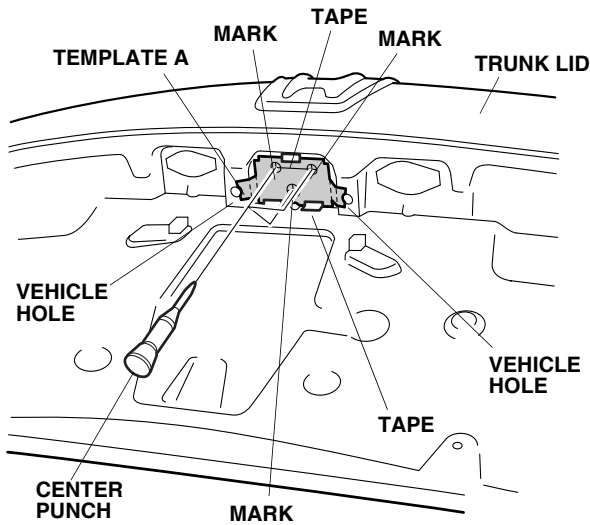
22. Slide the license plate trim down, and disengage the top two clips to remove the license plate trim.



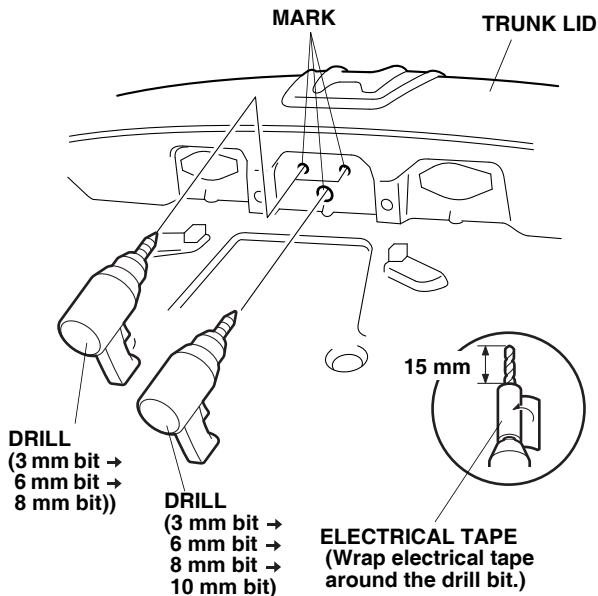
23. Remove and discard the top two clips from the trunk lid.  
24. Using scissors, cut out the marked area for template A along the dotted lines.



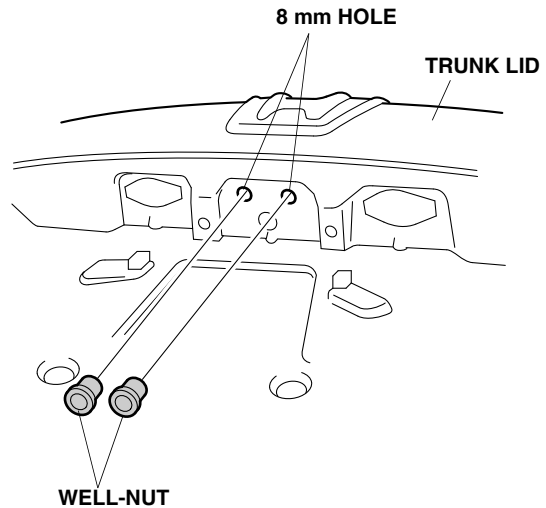
25. Tape template A on the trunk lid as shown. Lightly center punch the trunk lid at each of the three marks indicated on template A. Remove template A.



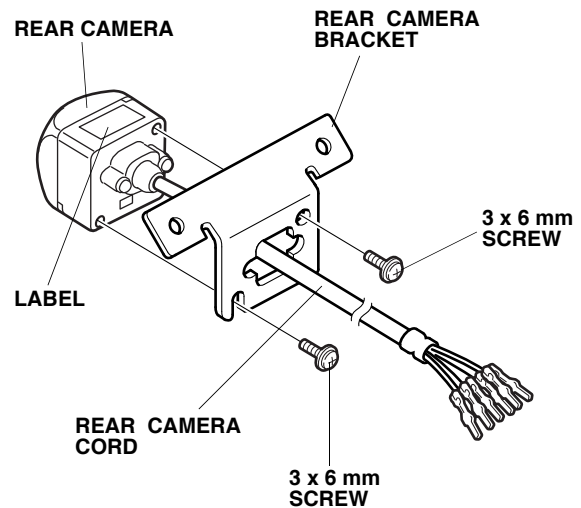
26. While wearing eye protection, drill the trunk lid at each center-punched mark:
- Wrap each drill bit with electrical tape 15 mm from the tip, or use a drill stop.
  - Drill all three center-punched marks to 8 mm. First drill with a 3 mm drill bit, then with a 6 mm drill, and finish with an 8 mm drill bit.
  - Enlarge the bottom hole in the trunk lid to 10 mm using a 10 mm drill bit.
  - Remove any burrs, and apply touch-up paint to each drilled hole. Allow the touch-up paint to dry before proceeding to the next step.



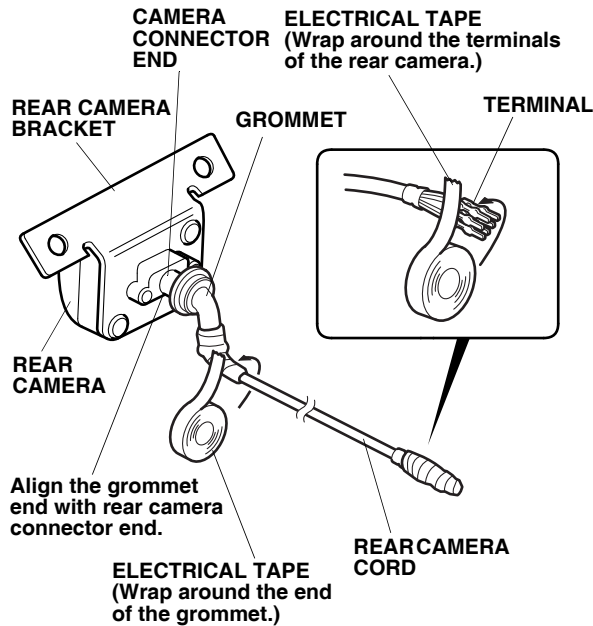
27. Install two well-nuts into the 8 mm holes.



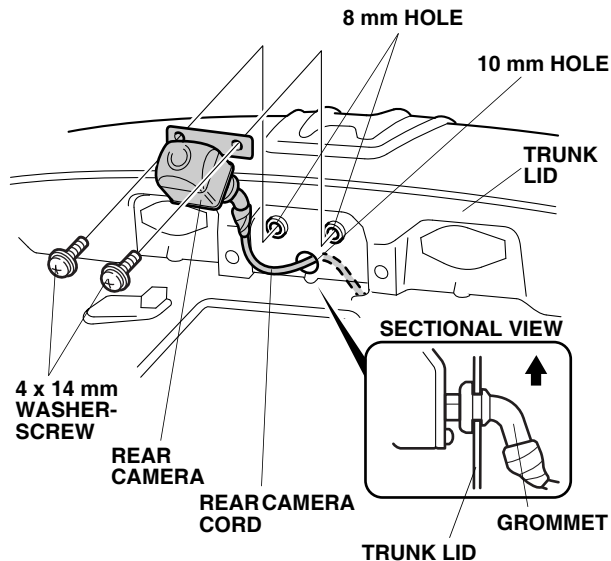
28. Route the rear camera cord through the rear camera bracket, and install the rear camera to the rear camera bracket using the 3 x 6 mm screws.



29. Wrap the terminals of the rear camera cord with electrical tape.

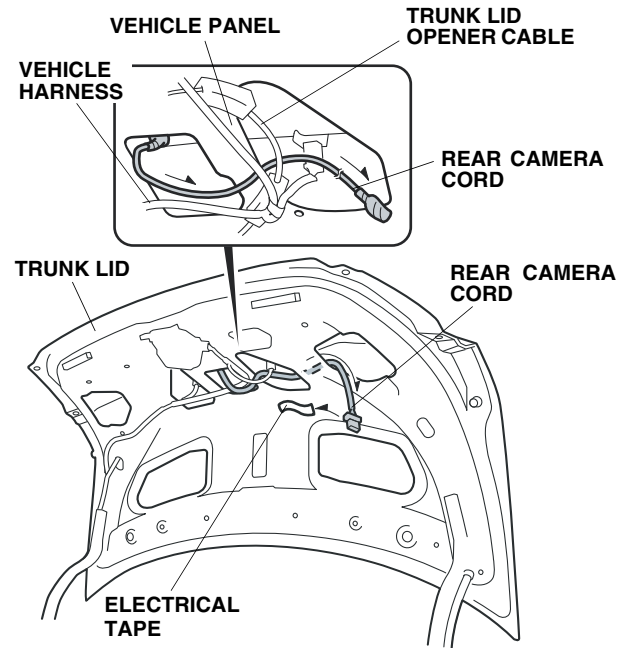


30. Route the rear camera cord through the grommet. Secure the cord to the grommet with electrical tape at the indicated position. Note the direction of the grommet.
31. Route the rear camera cord through the 10 mm hole in the trunk lid and seat the grommet in the 10 mm hole.

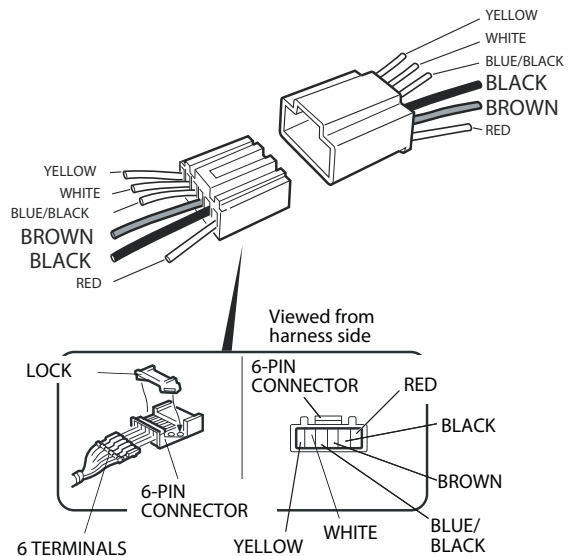


32. Install the rear camera assembly to the trunk lid using the two 4 x 14 mm washer-screws.

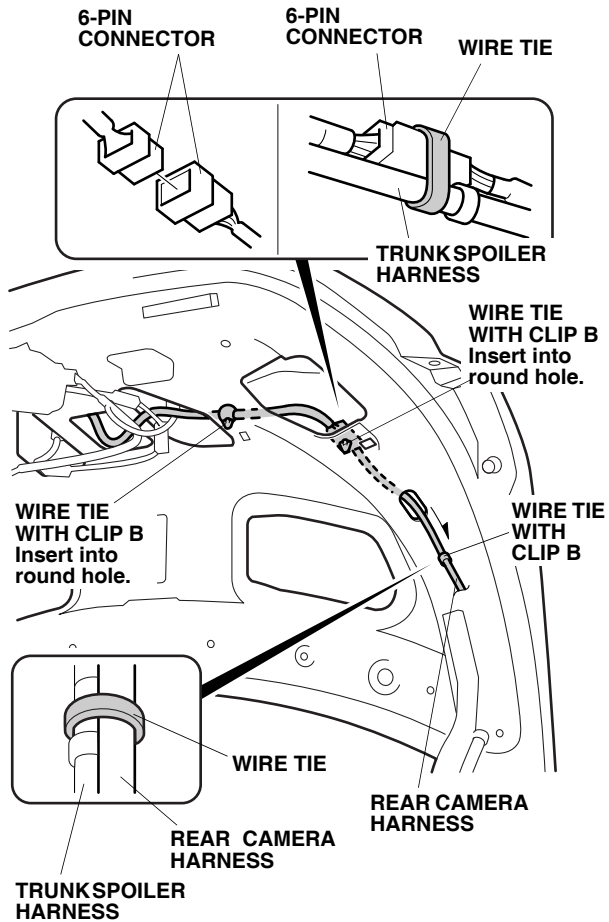
33. Route the rear camera cord along the right side of the trunk lid, and remove the electrical tape from the terminals.



34. Remove the terminal lock from the 6-pin connector. Insert the rear camera terminals into the 6-pin connector. Verify each terminal position, and then reinstall the terminal lock. NOTE: Make sure to install the wires as shown in the illustration (do not match up the black and brown wires).

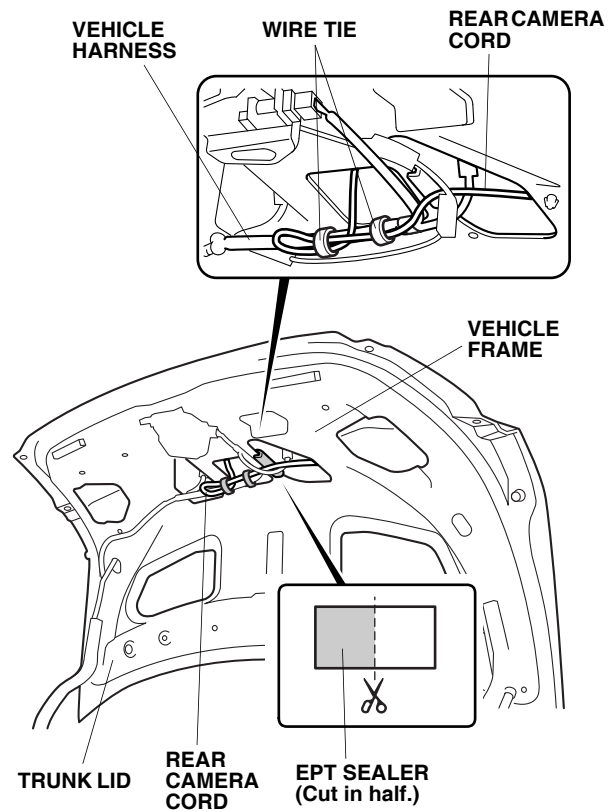


35. Route the rear camera harness through the trunk lid hole, and plug the rear camera cord 6-pin connector into the rear camera harness 6-pin connector.



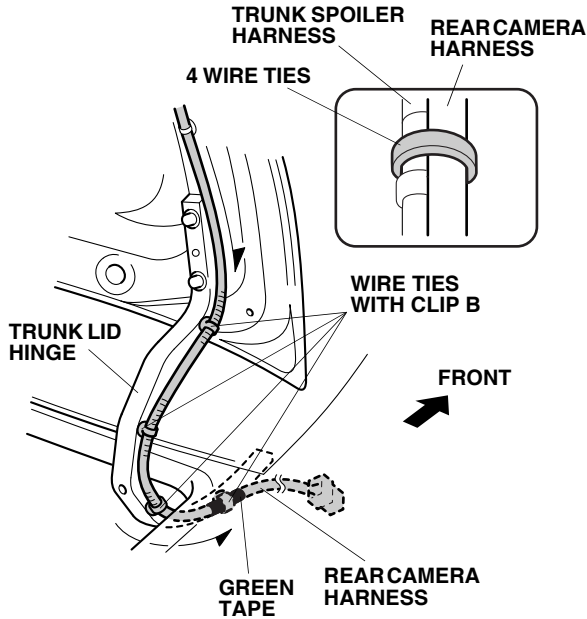
36. Secure the rear camera cord and the rear camera harness to the vehicle panel with three wire ties with clip B.  
 NOTE: If a trunk spoiler is installed, secure the rear camera cord to the trunk spoiler harness with two wire ties.

37. Secure the rear camera cord to the vehicle harness with one wire tie.

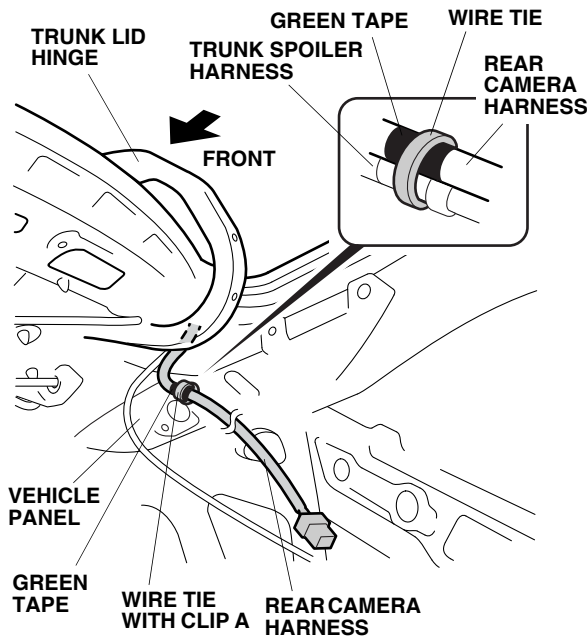


38. Bundle up the excess rear camera cord, and secure it to the vehicle harness with one wire tie.  
 39. Using scissors, cut one EPT sealer in half. Attach half of the EPT sealer to the vehicle frame.

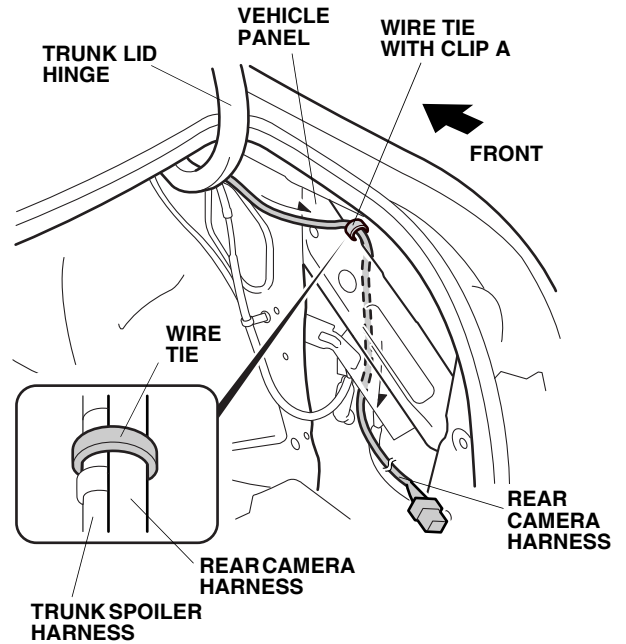
40. Route the rear camera harness along the trunk lid hinge, and secure it to the holes in the hinge using four wire ties with clip B.  
 NOTE: If a trunk spoiler is installed, secure the rear camera harness to the trunk spoiler harness using four wire ties.



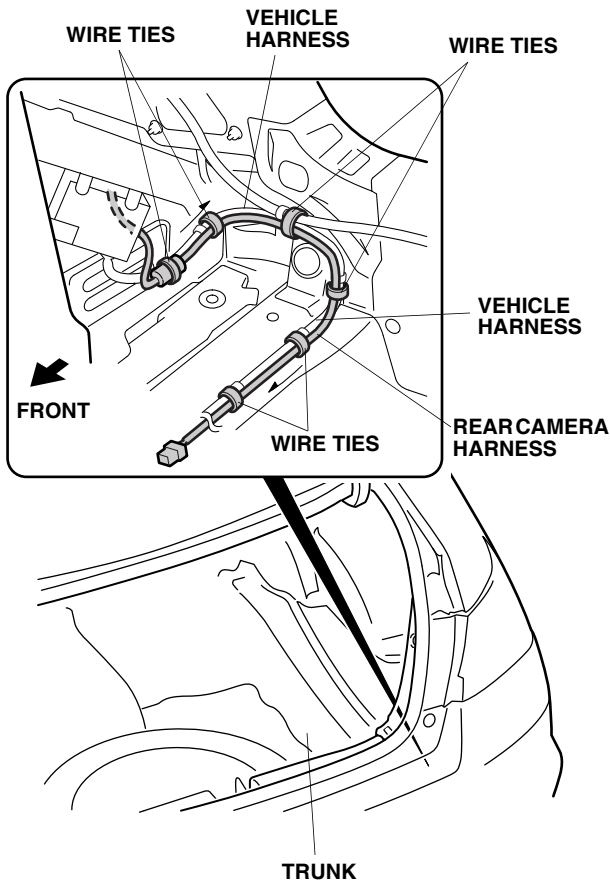
41. Route the rear camera harness towards the rear of the vehicle, and secure it to the vehicle panel hole with one wire tie with clip A.  
 NOTE: If a trunk spoiler is installed, secure the rear camera harness to the trunk spoiler harness with one wire tie.



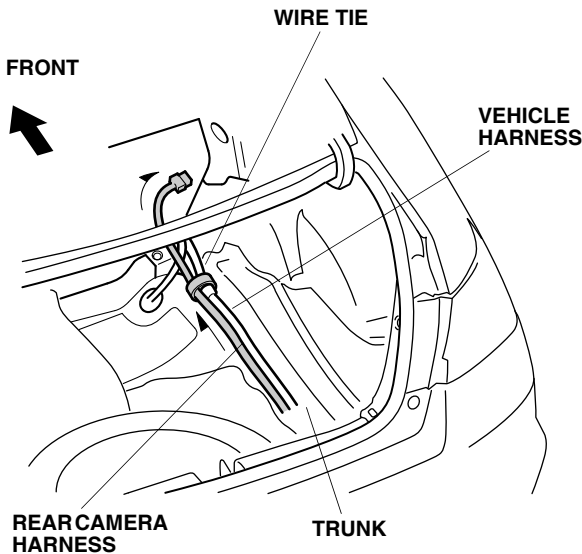
42. Route the rear camera harness towards the rear of the vehicle, and secure it to the vehicle panel hole with one wire tie with clip A.  
 NOTE: If a trunk spoiler is installed, secure the rear camera harness to the trunk spoiler harness with one wire tie.



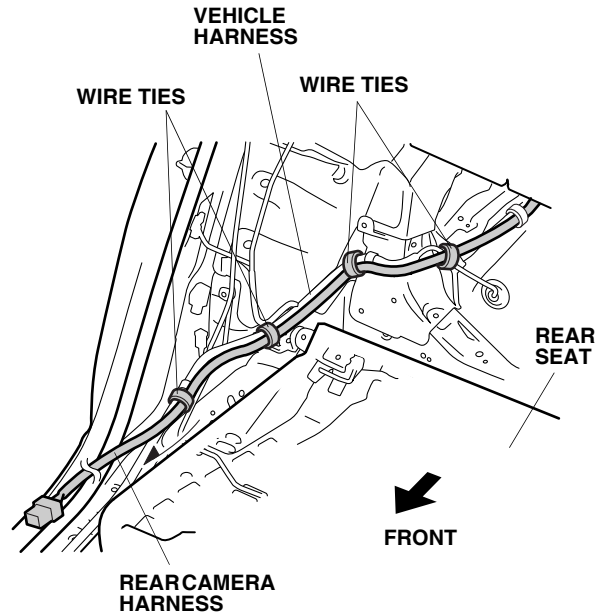
43. Route the rear camera harness along the vehicle harness, and secure it to the vehicle harness with six wire ties.



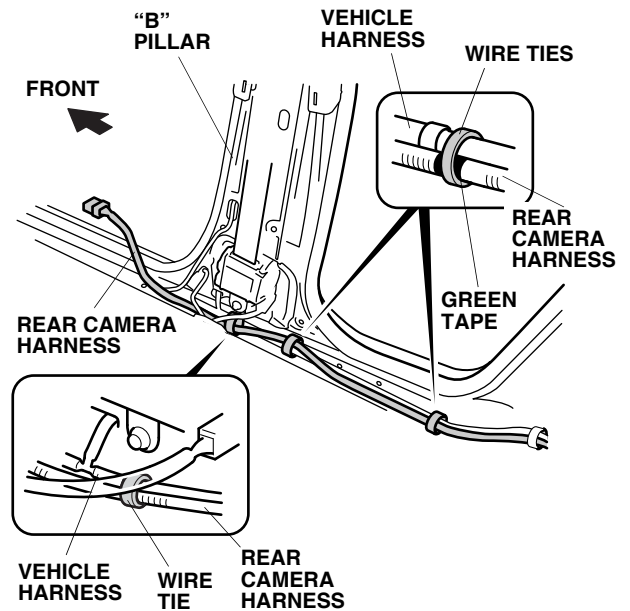
44. Route the rear camera harness forward along the vehicle harness towards the front of the vehicle, and secure it to the vehicle harness with one wire tie.



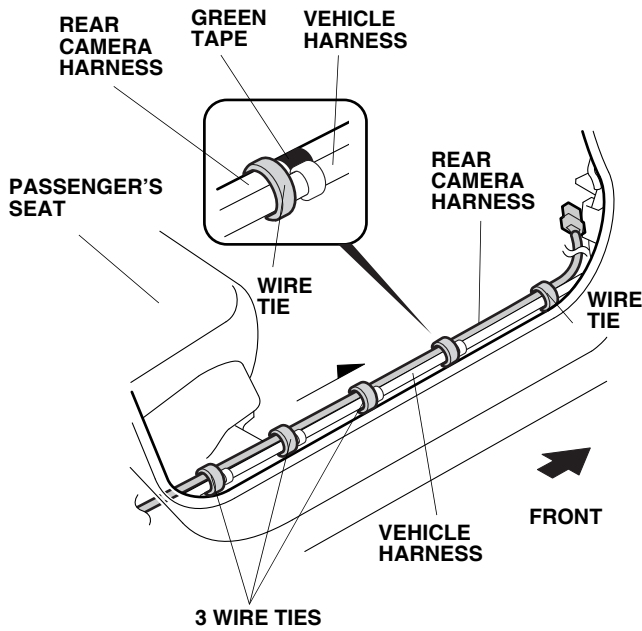
45. Route the rear camera harness forward along the vehicle harness, and secure it to the vehicle harness with four wire ties.



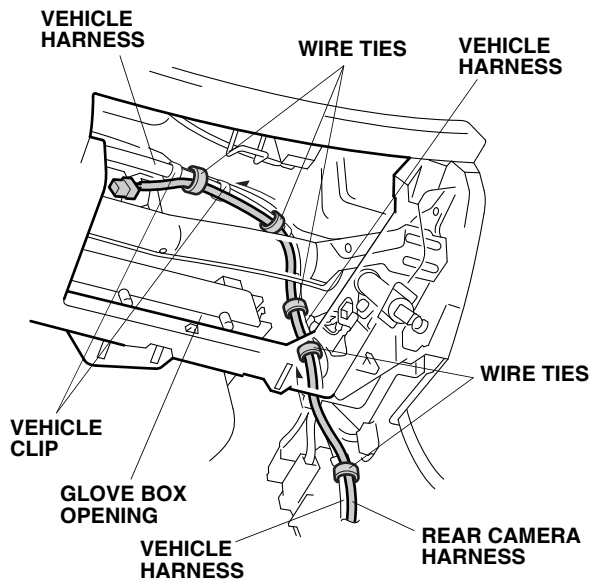
46. Route the rear camera harness forward past the "B" pillar, and secure it to the vehicle harness with three wire ties.



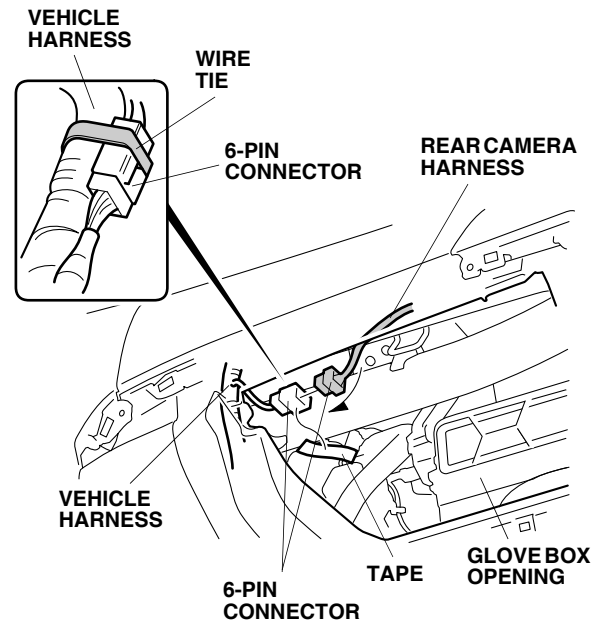
47. Route the rear camera harness through the passenger's door opening, and secure it to the vehicle harness with five wire ties.



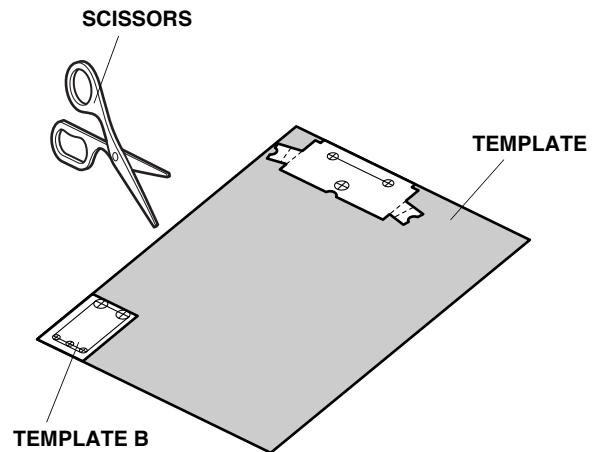
48. Route the rear camera harness up through the glove box opening, and secure it to the vehicle harness with five wire ties.



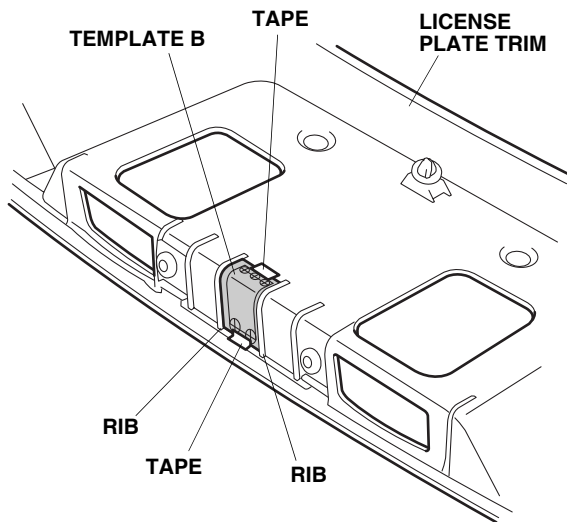
49. At the glove box opening, locate and remove the tape securing the 6-pin vehicle connector.
50. Plug the 6-pin vehicle connector into the rear camera harness 6-pin connector. Secure the 6-pin connector to the vehicle harness with one wire tie.



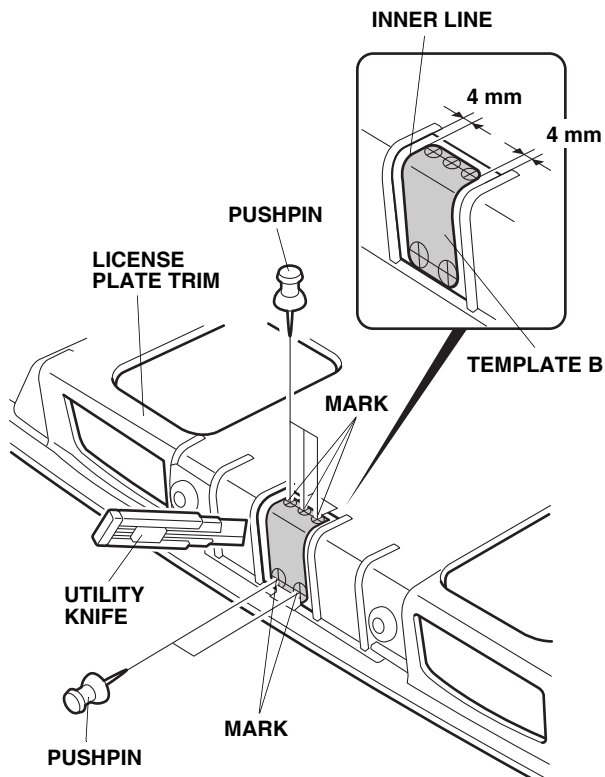
51. Using scissors, cut out the marked area for template B along the dotted lines.



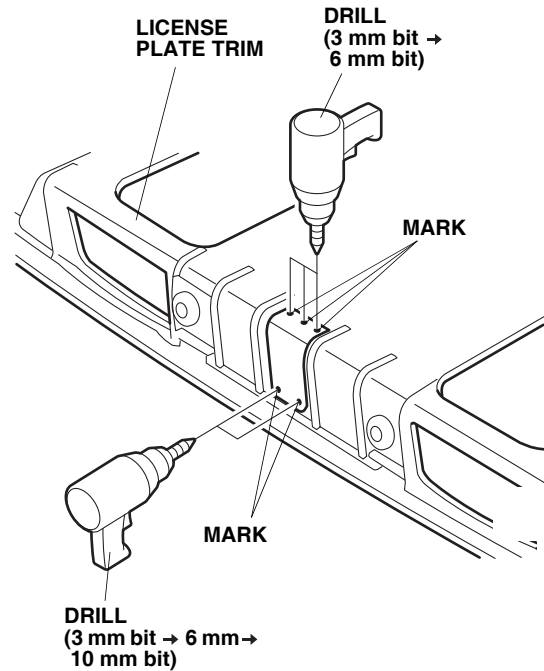
52. Attach template B to the license plate trim using tape.



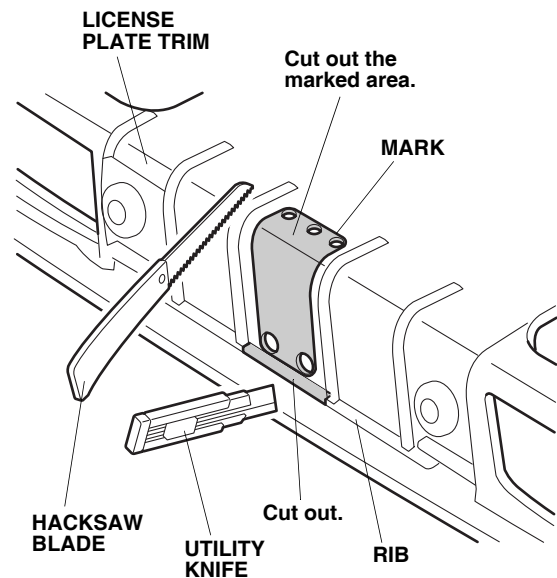
53. Using a pushpin, mark the license plate trim at the five locations.  
 54. Using a utility knife, scribe along the inner line of template B, and peel off the template.



55. While wearing eye protection, drill the license plate trim at each mark.
- First drill all five holes with a 3 mm drill bit, and then with a 6 mm drill bit.
  - Enlarge just the bottom holes to 10 mm using a 10 mm drill bit.

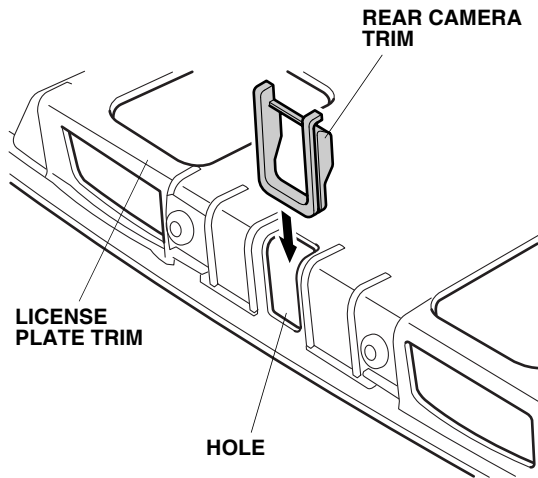


56. Using a hacksaw blade, cut away the license plate trim along the scribe mark made in step 54.

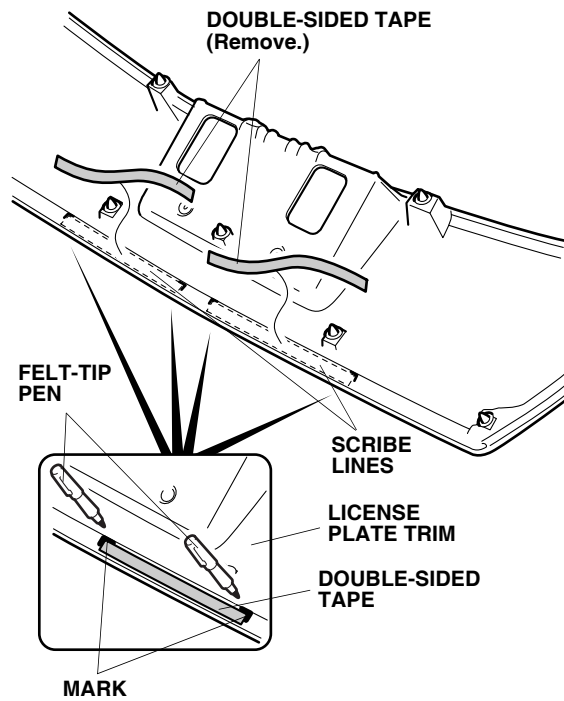


57. Using a utility knife, cut out the rib from the license plate trim as shown.

58. Install the rear camera trim in the cutout made in the license plate trim.

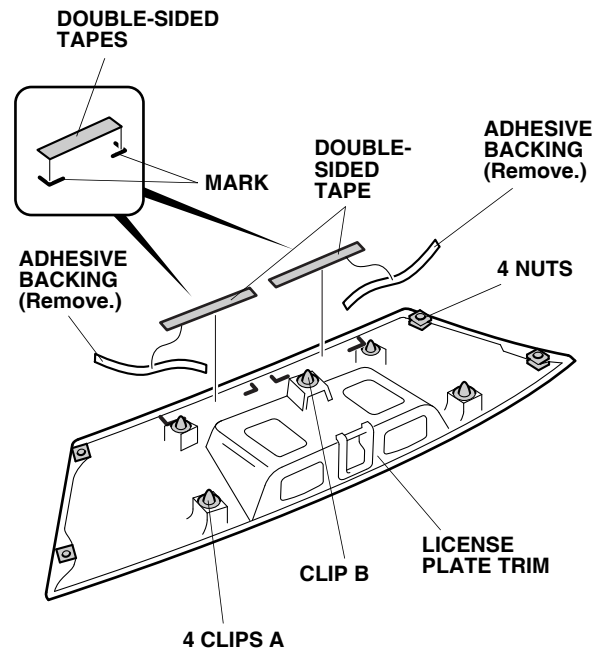


59. Using a felt-tip pen, mark the license plate trim at the ends of each double-sided tape.

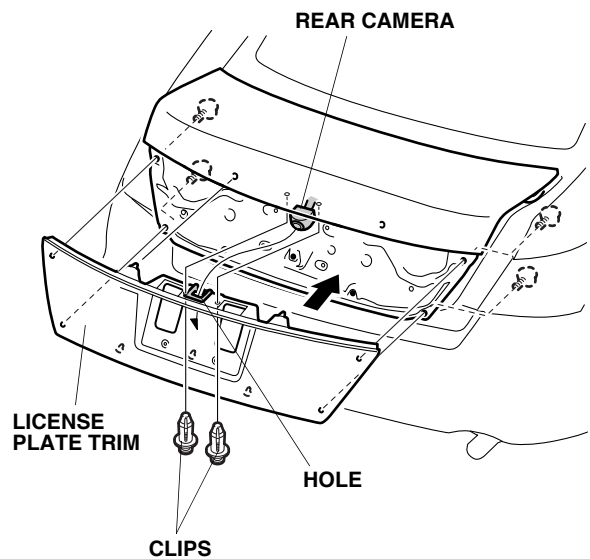


60. Remove the double-sided tape from the license plate trim. (Use 3M General Purpose Adhesive Cleaner, 3M #08984.)

61. Install four clips A, one clip B, and four nuts to the license plate trim.



62. Using isopropyl alcohol on a shop towel, clean the license plate trim between the marks you made. Remove the adhesive backing from the double-sided tape, and attach the tape between the marks in the scribe line areas.
63. Fit the rear camera into the rear camera trim, and reinstall the license plate trim. Reinstall the two clips and four bolts.



64. Check that all wire harnesses and cables are routed properly and that all connectors are plugged in.
65. Reinstall all removed parts.
66. Reconnect the negative cable to the battery.
67. Enter the anti-theft codes for the radio and navigation systems (if equipped), then enter the customer's radio presets.
68. Reset the clock.
69. Check operation of the rear camera system according to the Accessory User's Information Manual provided with the rear camera.