



**INSTALLATION
INSTRUCTIONS**

Accessory

**MOONROOF VISOR
P/N 08R01-TA0-100**

Application

**2008 ACCORD
4-DOOR**

Publications No.

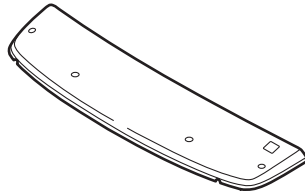
All 35375

Issue Date

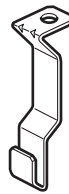
AUG 2007

PARTS LIST

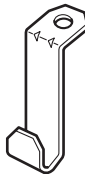
Moonroof visor



2 Brackets A



2 Brackets B



4 Screws



4 Nuts



4 Protective tapes



TOOLS AND SUPPLIES REQUIRED

Phillips screwdriver

10 mm Combination wrench

Scale

Isopropyl alcohol

3 Shop towels

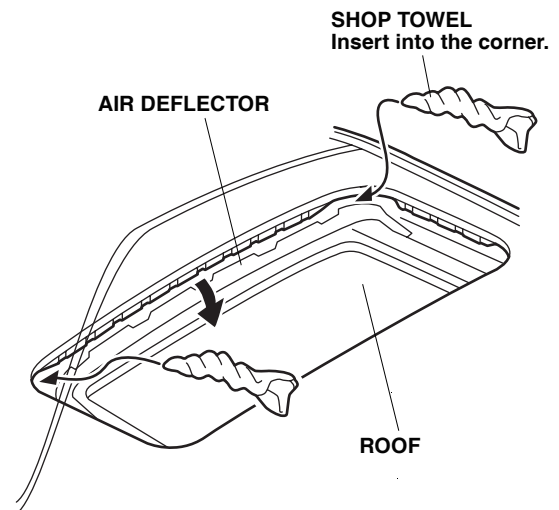
Masking tape

Felt-tip pen

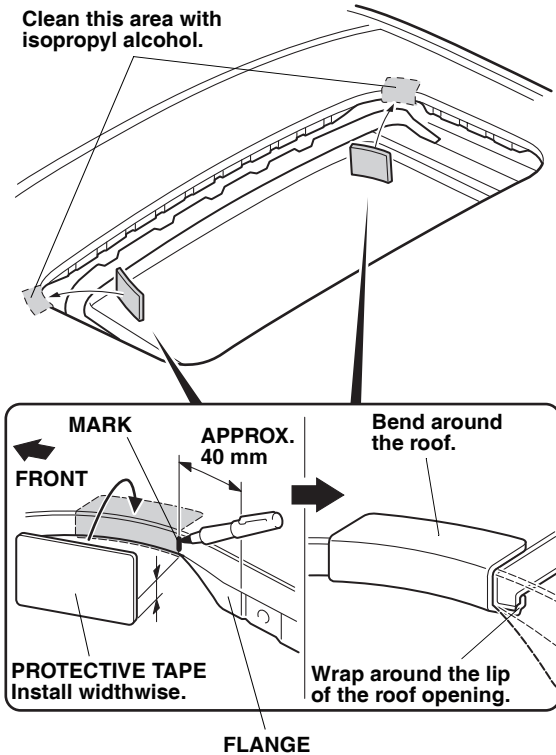
Torque wrench

INSTALLATION

1. Wash and wax the area to be covered with a high-quality paste wax.
2. Open the moonroof.
3. Roll up two shop towels, and insert them between the roof panel and air deflector to lower the air deflector. Take care not to damage the air deflector.

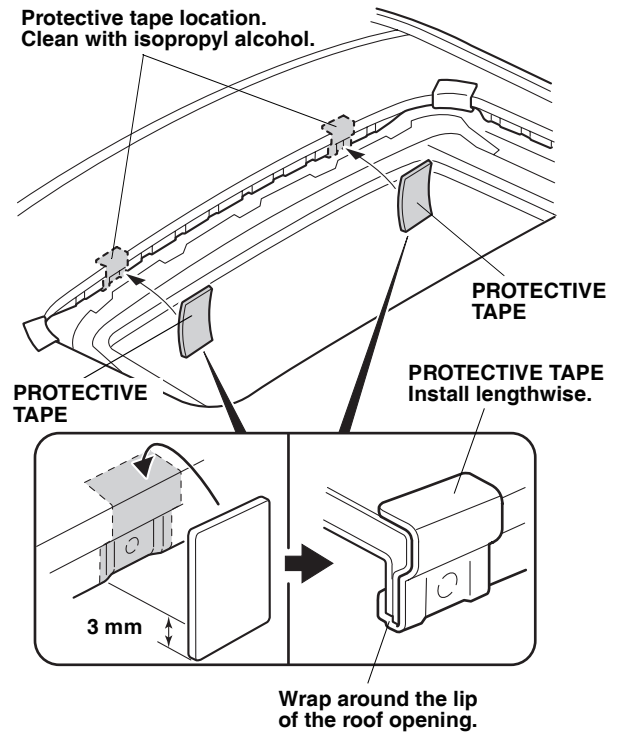


- At the right front corner of the moonroof opening, mark with a felt-tip pen along the rise from the flange end of the opening approximately 40 mm as shown.

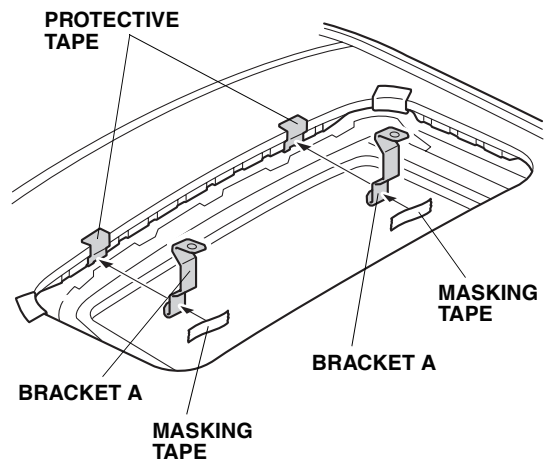


- Using isopropyl alcohol on a shop towel, clean the roof area and the inside edge of the moonroof opening. Starting at the mark you made, clean about 2 inches toward the front of the opening but don't wipe off the mark.
- Remove the adhesive backing from one protective tape. Align the tape with the mark you made in step 4. Wrap the bottom 6 mm of the tape around the bottom lip of the moonroof opening as shown. Then wrap the tape around to the top of the roof panel.
- Repeat steps 4 thru 6 to install the protective tape on the left side of the moonroof opening. Remove the marks you made using isopropyl alcohol on a shop towel.

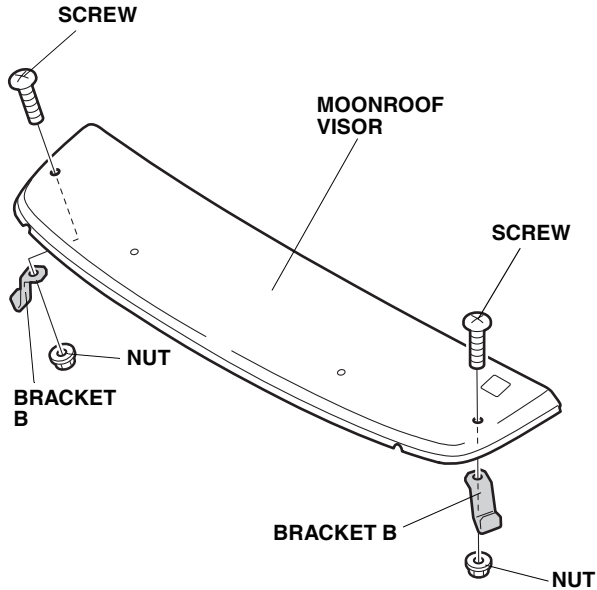
- Using isopropyl alcohol on a shop towel, clean the areas in the moonroof opening where the protective tape will attach.
- Remove the adhesive backing from two pieces of protective tape, and attach on the second tab on each of the right and left sides from the outside corners of moonroof opening as illustrated.



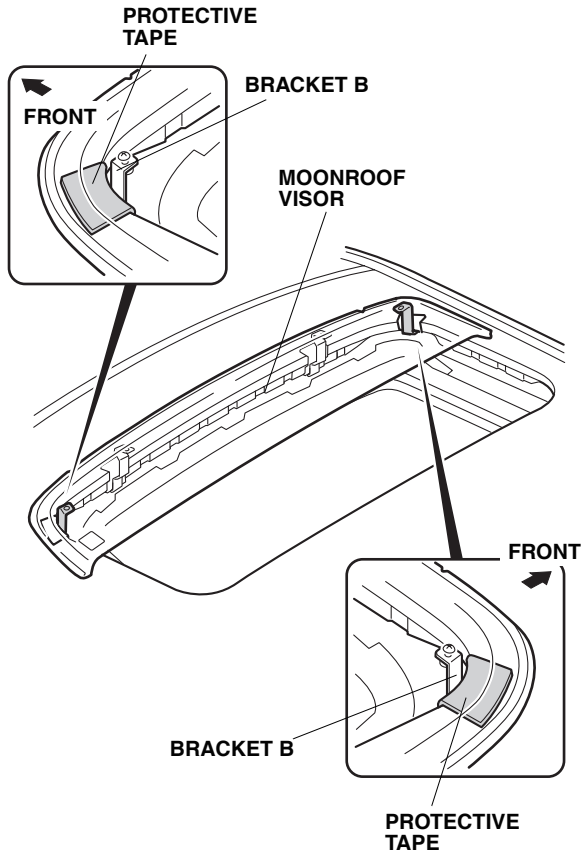
- Align the two brackets A on the locations to install and temporarily attach the bracket A with masking tape.



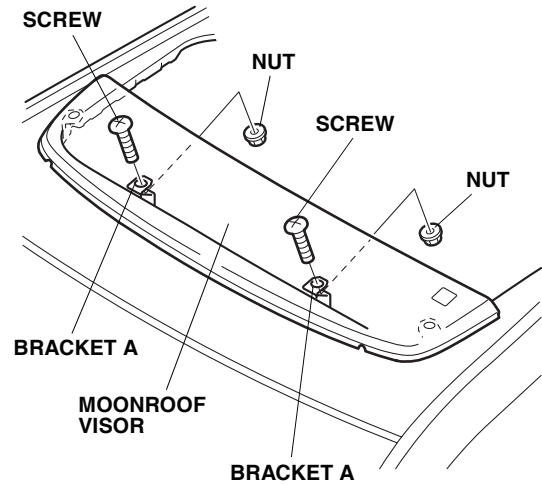
11. Install the two brackets B to the moonroof visor, using two screws and two nuts. Do not tighten the two screws and two nuts yet.



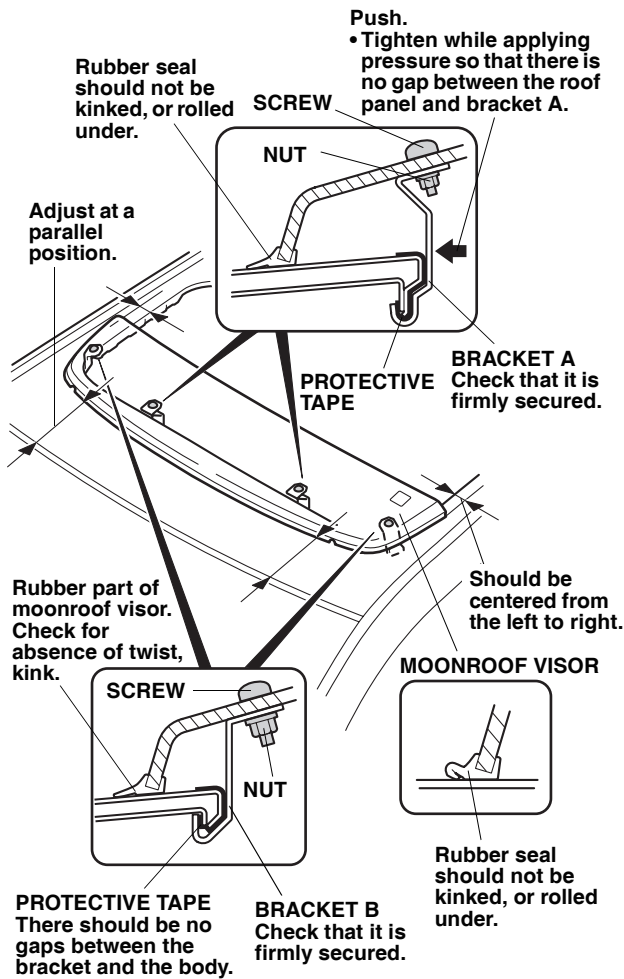
12. Align the moonroof visor on the install location and align brackets B on the center of the protective tape and install temporarily. Do not tighten the two screws and two nuts yet.



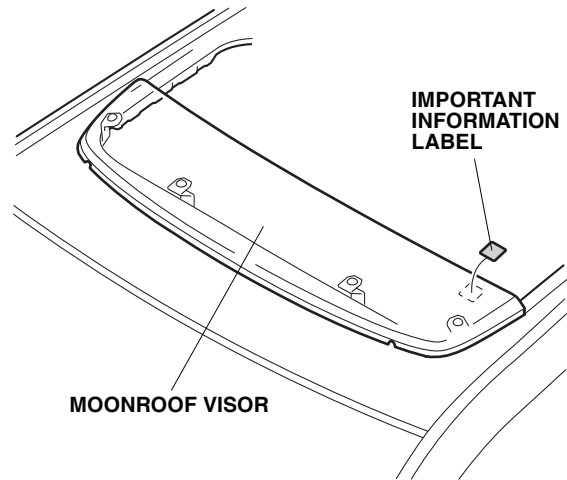
13. Align the holes in the moonroof visor with the holes in the bracket A and start the two screws and two nuts. Do not tighten the two screws and two nuts yet.



14. Remove the masking tape temporarily securing bracket A.
15. Adjust moonroof visor location at the center of roof.
 - The rubber seal should not be kinked, or rolled under.
16. Secure the bracket A to the two screws and two nuts. Torque the screws and nuts: 2 N·m (0.2 kgf, 1.5 lb·ft)
17. Secure the bracket B to the two screws and two nuts. Torque the screws and nuts: 2 N·m (0.2 kgf, 1.5 lb·ft)
 - Be careful not to over-tighten the screws, or damage to the moonroof visor and/or nuts may result.



18. Remove the IMPORTANT INFORMATION label.



CARE OF THE MOONROOF VISOR

- To avoid damaging the surface, never use ammonia-based cleaners or solvents to clean the moonroof visor.
- Clean with a solution of mild dishwashing soap and water using a soft cloth or chamois.
- To remove fine scratches and restore the original luster, use Meguiar's Mirror Glaze plastic cleaner and polish or an equivalent high-quality plastic cleaner.