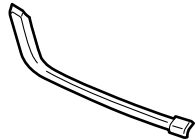


INSTALLATION INSTRUCTIONS	Accessory FRONT LOWER GARNISH P/N 08F23-TC0-700	Application 2008 ACCORD	Publications No.
			Issue Date NOV. 2007

PARTS LIST

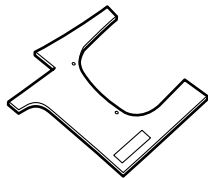
Front right lower garnish



Front left lower garnish



Template



4 Push nuts



TOOLS AND SUPPLIES REQUIRED

- Phillips screwdriver
- Clip remover
- Shop towel
- Contact Cleaner
- Eye protection (face shield, safety goggles, etc.)
- Drill
- 3 mm, 6 mm, and 8 mm Drill bit
- File
- Tape
- Pushpin

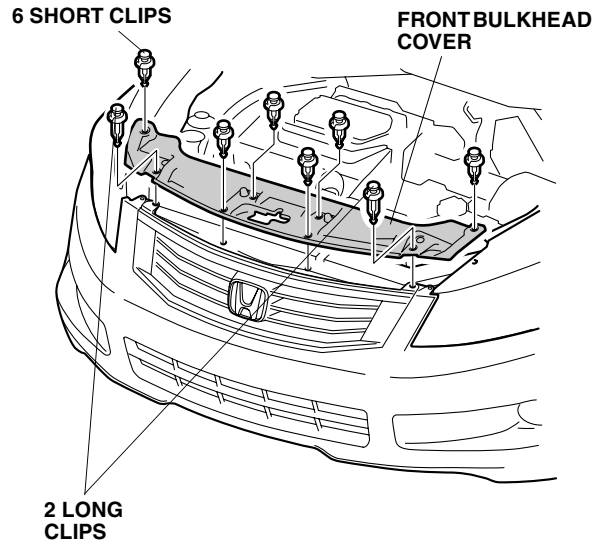
BEFORE YOU BEGIN

Customer Information

- Be careful not to damage the body paint finish.
- This front lower garnish kit should be installed only if the ambient air temperature is 15°C (60°F) or above.
- To allow the adhesive to “cure,” do not wash the vehicle for 24 hours.

INSTALLATION

1. Remove the front bulkhead cover (two long clips, six short clips).



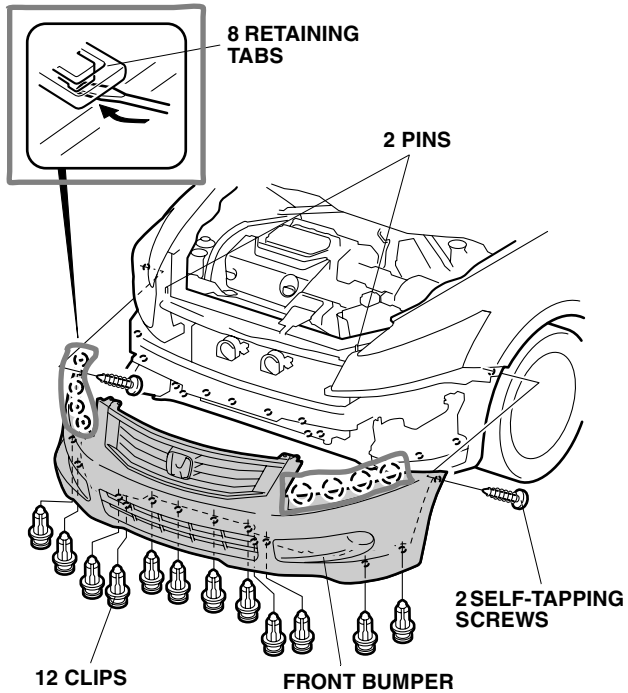
732001BY

If the vehicle is not equipped with the safety plate, continue with step 2; if the vehicle is equipped with the safety plate, go to step 3.

<Vehicle not equipped with the safety plate>

2. Remove the front bumper (two self-tapping screws, twelve clips, eight retaining tabs, and two pins).
 - Have an assistant help you when removing and installing the front bumper.
 - If the vehicle is equipped with the fog light, disconnect the fog light connectors.

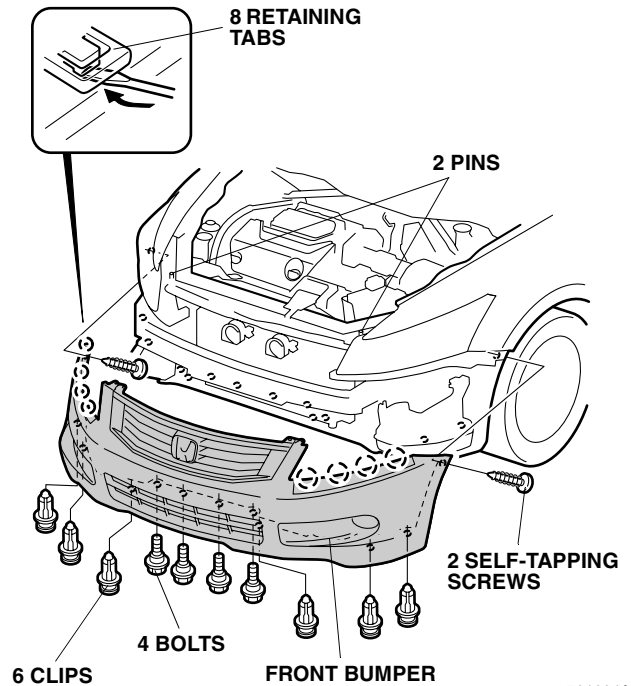
Go to step 5.



7N1502AB

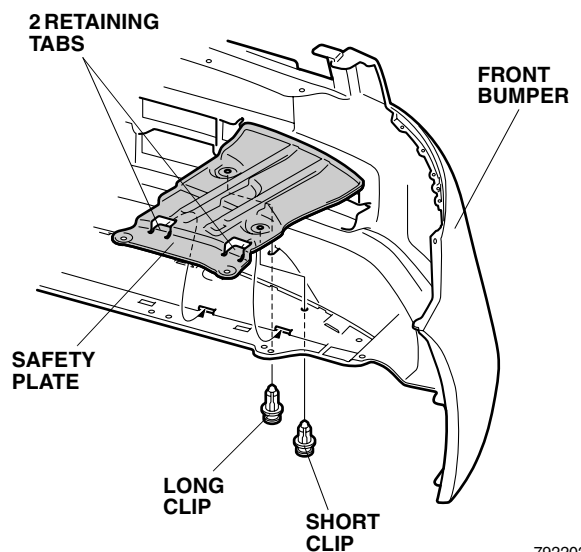
<Vehicle equipped with the safety plate>

3. Remove the front bumper (two self-tapping screws, six clips, four bolts, eight retaining tabs, and two pins).
 - Have an assistant help you when installing the front bumper.
 - When the vehicle you working on are equipped with the fog light, disconnect the fog light connectors.



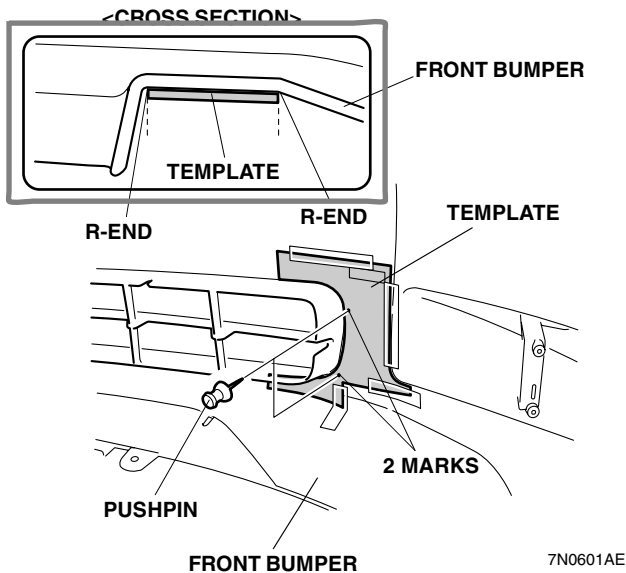
701604AX

4. Remove the safety plate (two clips, and two retaining tabs).

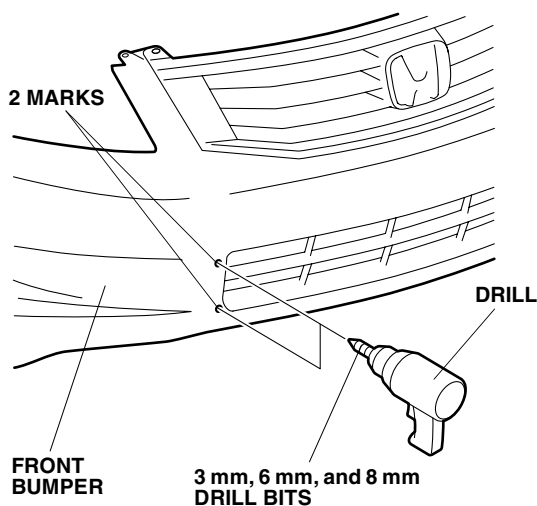


792202BE

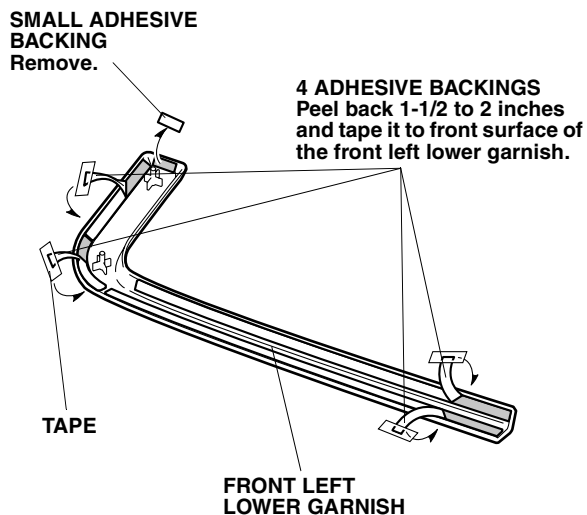
5. Align the template to the inside of the front bumper as shown. Using a pushpin, pierce through two marks on the template.
6. Remove the template.



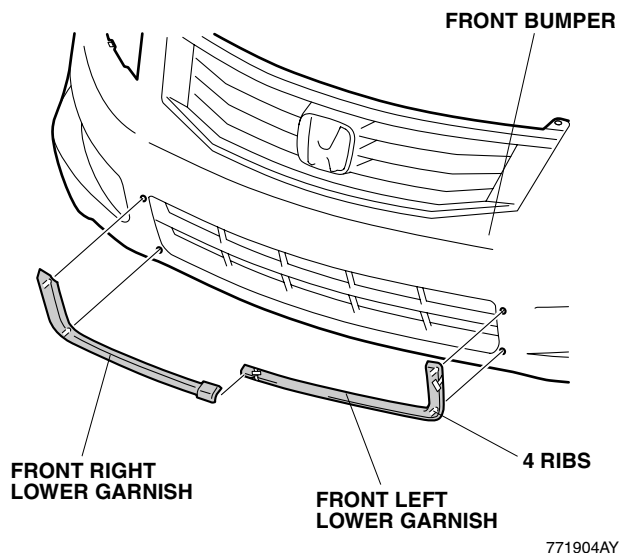
7. While wearing an eye protection, drill two 3 mm holes at two pierced marks on the front bumper. Widen the hole with 6 mm drill bit and then 8 mm drill bit.
 - Remove any burrs from the edge of the hole you have just drilled.
8. Flip the template and repeat steps 5 through 7 on the left side of the vehicle.



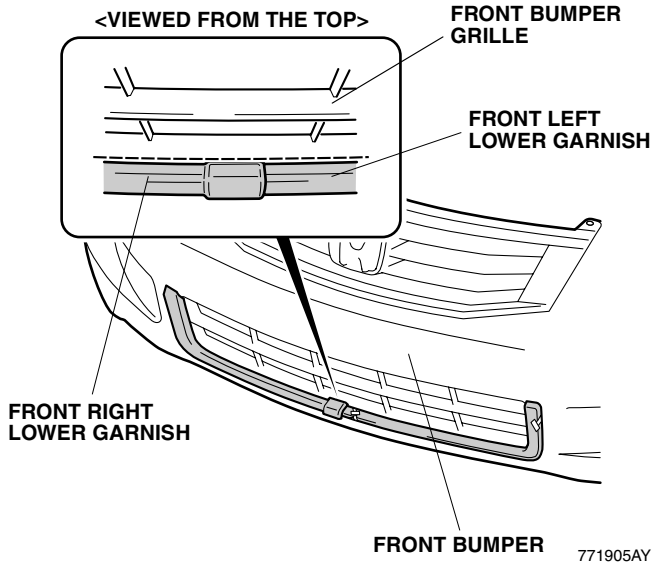
9. Clean the surface of the front bumper where the front lower garnish will be attached with a contact cleaner. Allow the contact cleaner to dry thoroughly.
10. Peel back approximately 1-1/2 to 2 inches of adhesive backings, and tape them to the surface of the front left lower garnish. Remove the small end piece of adhesive backing.



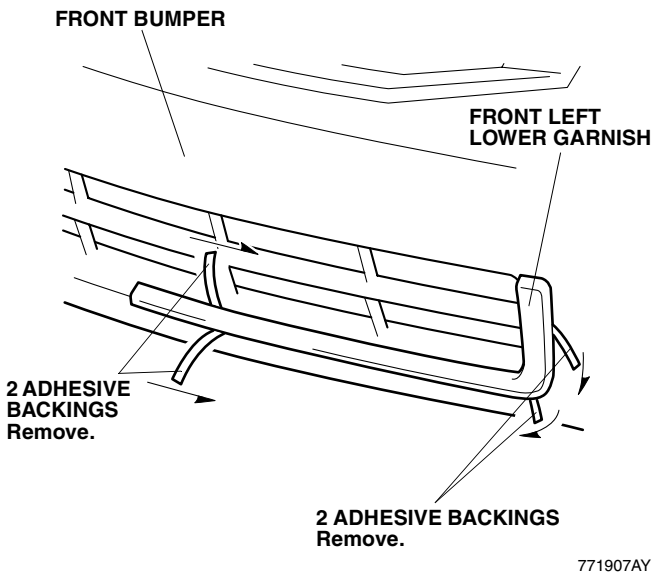
11. Temporarily attach the front left lower garnish and front right lower garnish to the front bumper (four ribs).



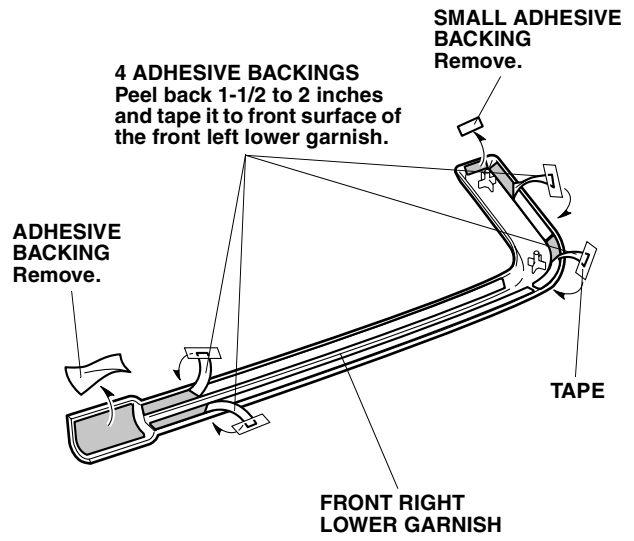
- 12. Check that the front left lower garnish and front right lower garnish is properly aligned against the front bumper grille.
- 13. Remove the front right lower garnish from the front bumper.



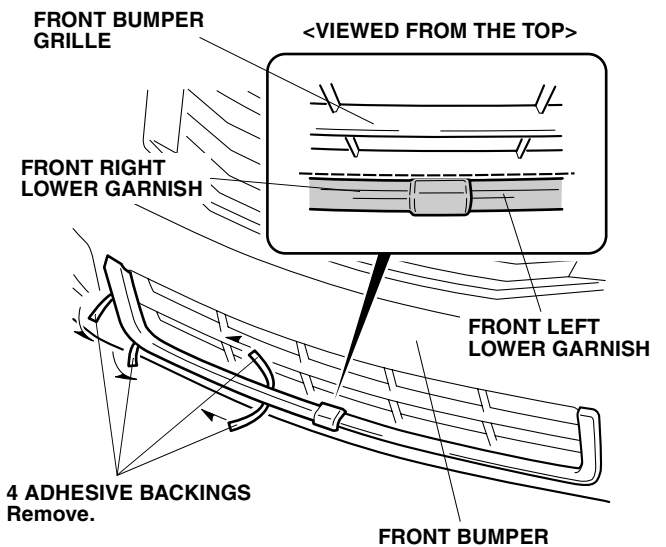
- 14. While applying light pressure against the front left lower garnish, carefully remove the taped adhesive backings.
- 15. Using a palm of your hand, apply pressure against the left lower garnish to properly attach it to the front bumper.



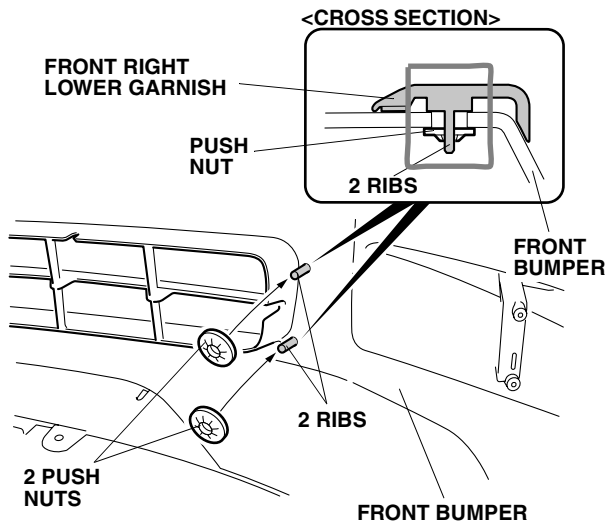
- 16. Peel back approximately 1-1/2 to 2 inches of adhesive backings, and tape them to the surface of the front right lower garnish. Remove the end pieces of adhesive backings.



- 17. Attach the front right lower garnish to the front bumper. While applying light pressure against the front right lower garnish, carefully remove the taped adhesive backings.
- 18. Using a palm of your hand, apply pressure against the right lower garnish to properly attach it to the front bumper.
- 19. Check that the front left lower garnish and front right lower garnish is properly aligned against the front bumper grille.



20. On the inside of the front bumper, attach two push nuts onto the two ribs of the front right lower garnish.
21. Repeat the same procedure on the left side of the vehicle.
22. Reinstall the front bumper and removed parts.
 - Have an assistant help you when removing and installing the front bumper.
 - If the vehicle is equipped with the fog light, reconnect the fog light connectors.



701706AE