



**INSTALLATION  
INSTRUCTIONS**

Accessory  
**TRUNK SPOILER (LOW)**

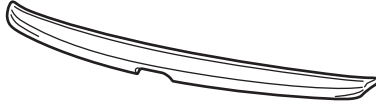
Application  
**2008 ACCORD  
4-DOOR**

Publications No.  
**All 37092-38005**

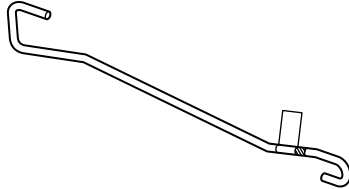
Issue Date  
**SEP 2007**

**PARTS LIST**

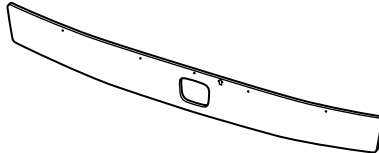
Trunk spoiler



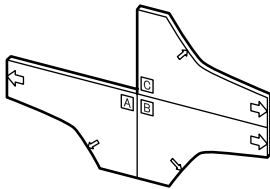
Right trunk spring (marked red)



Template 1



Template 2



5 Washer nuts



**TOOLS AND SUPPLIES REQUIRED**

- Clip remover
- Eye protection (face shield, safety goggles, etc.)
- Drill
- 3 mm and 8 mm Drill bits
- Drill stop
- File
- Center punch
- Touch-up paint
- Ratchet
- Socket
- Gloves
- Trunk spring tool:  
P/N 07AAF-SNA-A100
- Masking tape
- Felt-tip pen
- Shop towel
- Isopropyl alcohol
- Tape

**INSTALLATION**

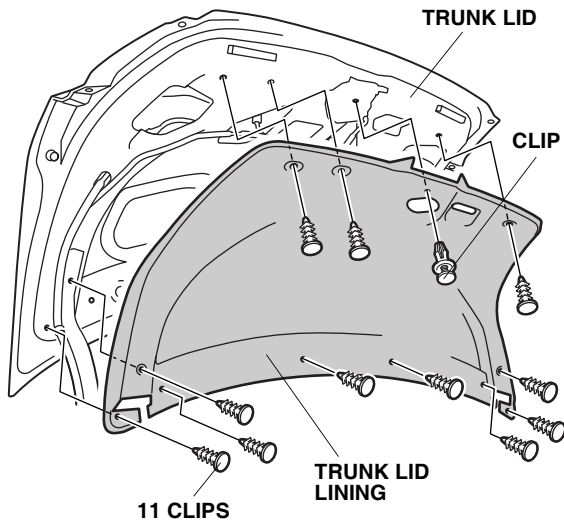
**Customer Information:** The information in this installation instruction is intended for use only by skilled technicians who have the proper tools, equipment, and training to correctly and safely add equipment to your vehicle. These procedures should not be attempted by “do-it-yourselfers.”

**NOTE:**

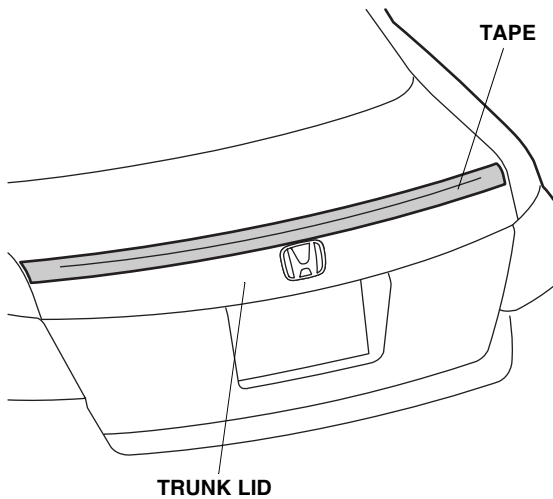
- Be careful not to damage the body paint finish.
- This trunk spoiler kit should be installed only if the ambient air temperature is 15°C (60°F) or above.
- Wash and wax the area to be covered with a high-quality paste wax.
- To allow the adhesive to cure, do not wash the vehicle for 24 hours.

### Installing the Trunk Spoiler

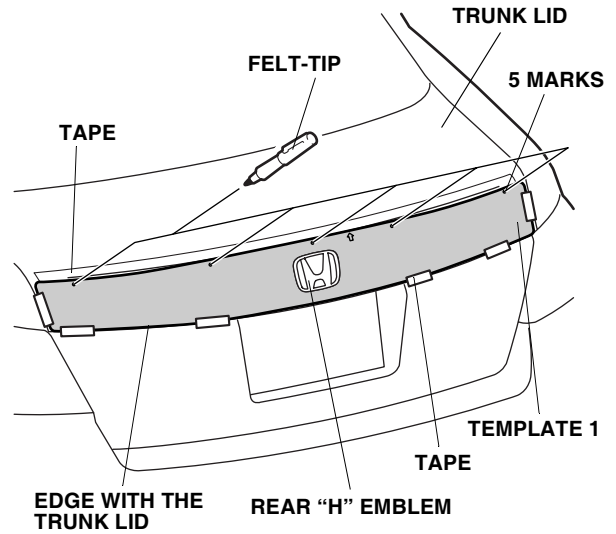
1. Open the trunk lid. Remove the trunk lid lining (12 clips).



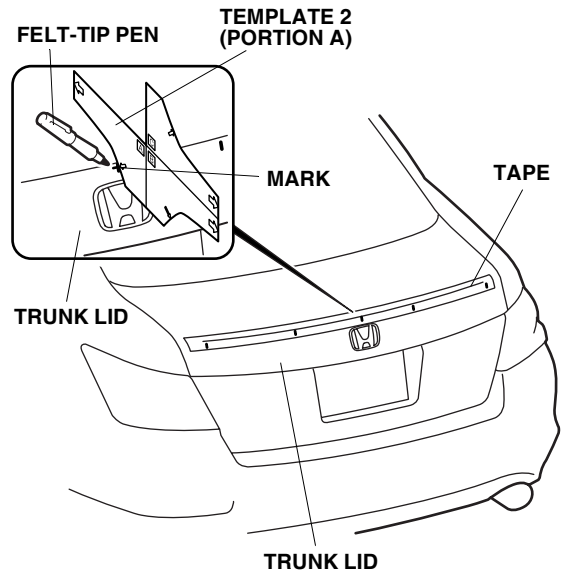
2. Attach tape across the trunk lid as shown.



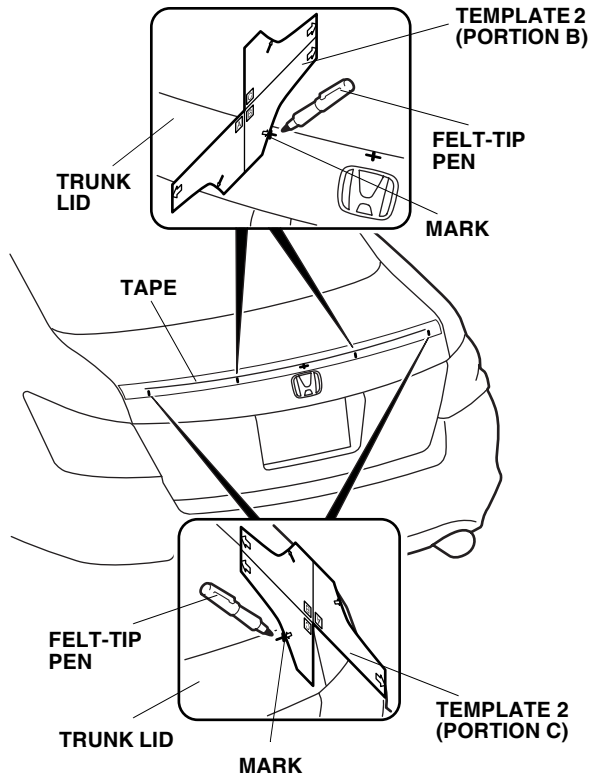
3. Close the trunk lid. Align template 1 with the rear "H" emblem and edge with the trunk lid. Tape template 1 to the trunk lid. Using a felt-tip pen, mark the trunk lid as shown on the template. Remove the template.



4. Position template 2 (portion A) on the trunk lid at the center mark. Using a felt-tip pen, mark the tape at the notch shown.

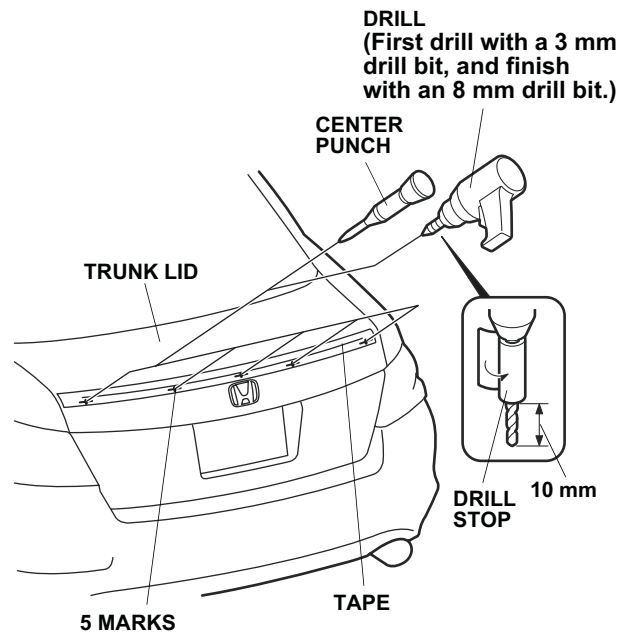


5. Position template 2 (portion B) on the inboard marks. Using a felt-tip pen, mark the tape at the notches shown.

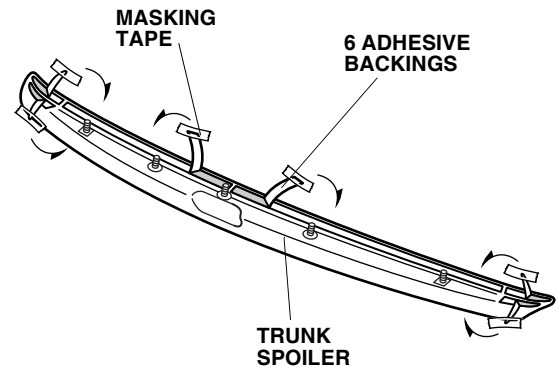


6. Position template 2 (portion C) on the outboard marks. Using a felt-tip pen, mark the tape at the notches shown.

7. Center-punch the five marks. While wearing eye protection, drill the five center-punched marks to 8 mm:
- Take care not to damage the wire harness when drilling.
  - Wrap each drill bit with electrical tape 10 mm from the tip, or use a drill stop.
  - First drill each mark with a 3 mm drill bit, and finish with an 8 mm drill bit.
  - Remove any burrs and metal shavings, and apply touch-up paint to the edges of each drilled hole. Allow the touch-up paint to dry before proceeding to the next step
  - Remove the tape.



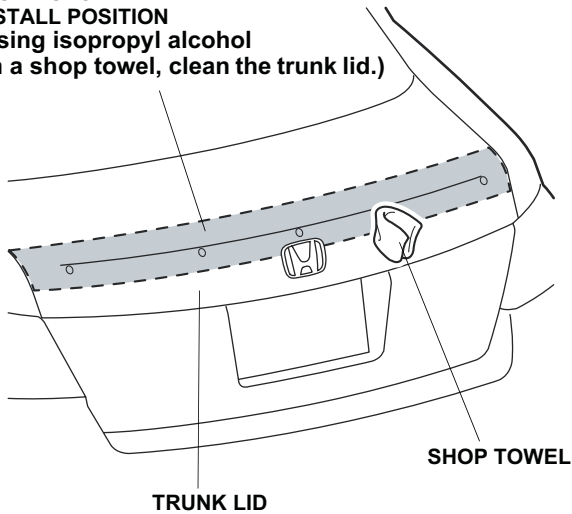
8. Attach pieces of masking tape to the ends of the adhesive backings on the trunk spoiler. Peel back the ends of six adhesive backings, and temporarily attach them to the front side of the trunk spoiler.



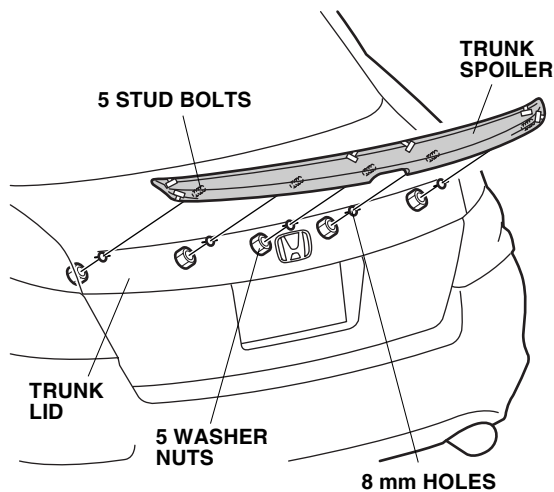
9. Using isopropyl alcohol on a shop towel, clean the trunk lid surface where the trunk spoiler will be installed.

**TRUNK SPOILER  
INSTALL POSITION**

(Using isopropyl alcohol on a shop towel, clean the trunk lid.)

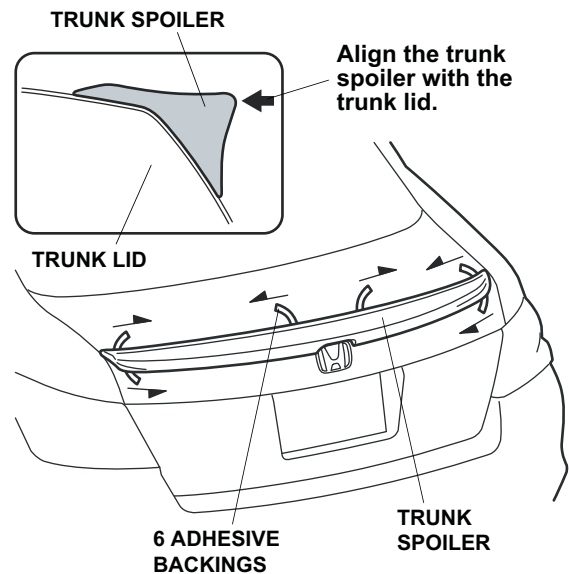


10. Insert stud bolts from the trunk spoiler into the 8 mm holes in the trunk lid. Install the five washer nuts to the stud bolts, but do not tighten the five washer nuts yet.



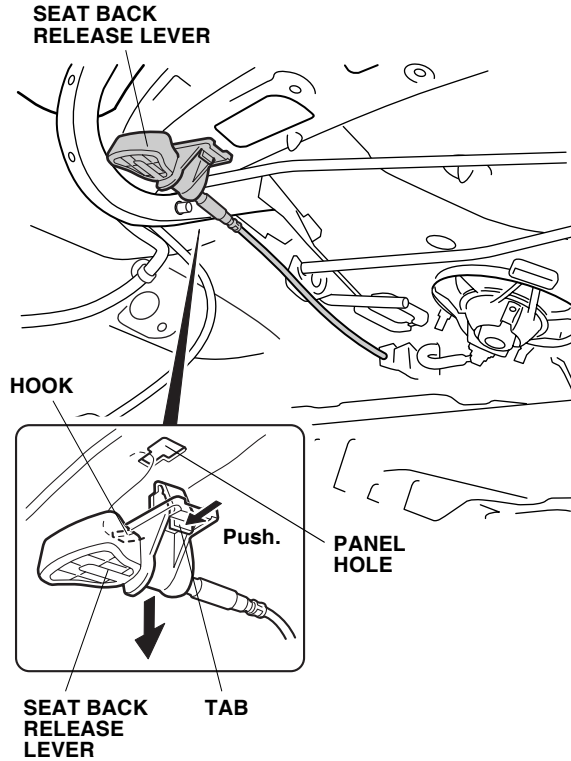
11. Align the trunk spoiler with the trunk lid, and remove the adhesive backings:

- First remove the adhesive backings from each side of the spoiler. Press and hold the spoiler firmly against each side with the palm of your hand for 30 seconds.
- While applying light pressure across the front of the spoiler, carefully remove the front adhesive backing. Hold the spoiler firmly against the trunk lid and torque the five washer nuts to 9 N·m (7 lb-ft.)
- While applying light pressure across the bottom of the spoiler, carefully remove the bottom adhesive tape. Hold the spoiler firmly against the trunk lid with the palm of your hand for 30 seconds.

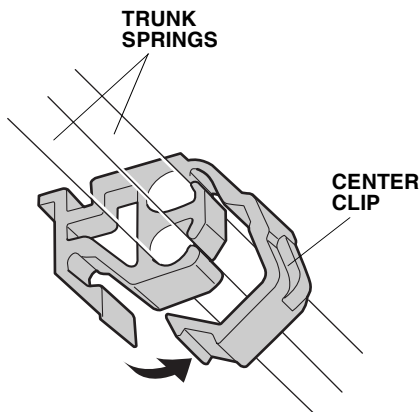


### Installing the Right Trunk Spring

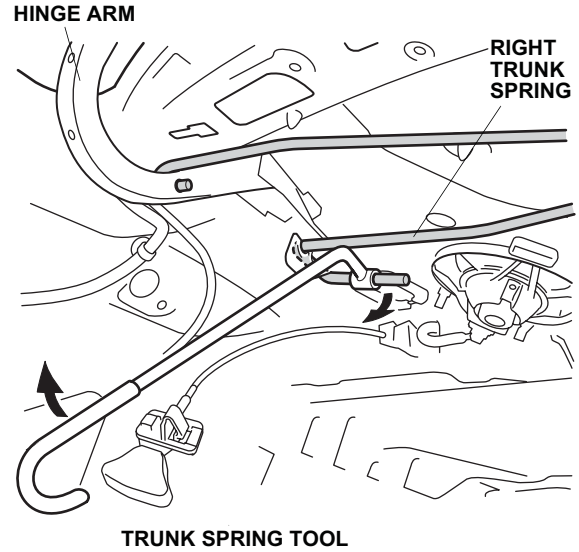
12. Push in on the tab and pull down the seat back release lever to release the hook.
13. Slide the seat back release lever to the right side, and remove the release lever clip from the hole on the vehicle panel.



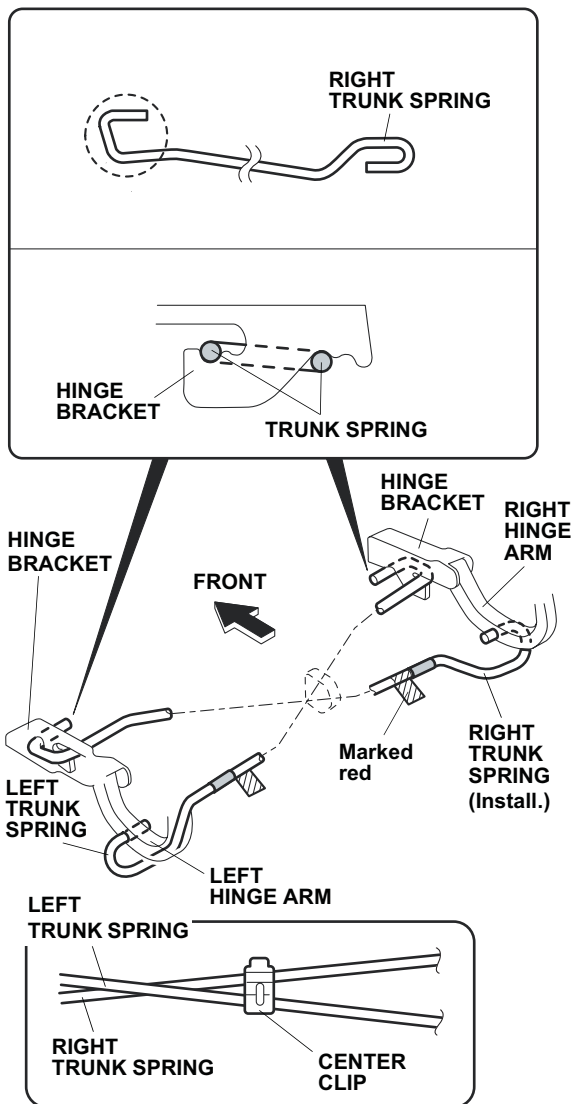
14. Open the trunk lid, and remove the center clip from the trunk springs.



15. With an assistant holding the trunk lid open, remove the right trunk spring from the trunk hinge arms using the trunk spring tool. Wear gloves to protect your hands, and pull the trunk spring tool slowly and carefully towards you. Do not remove the left trunk spring.



16. Install the new right trunk spring in the reverse order of removal:
- Set the tool on the marked end of the trunk spring.
  - Install the red marked spring in the slot in the right (passenger's) side trunk hinge arm and to the hinge bracket on the left (driver's) side of the vehicle.
  - Wearing gloves, rotate the tool as you pull it towards you.
  - Set the springs in the first notch (original position) of the hinge brackets.



17. Install the trunk lid lining in its original position.
18. Reinstall the seat back release lever.
19. Open the trunk lid, and make sure the trunk lid stays open on its own. If it will not stay open, adjust the trunk springs to the second position.