



**INSTALLATION
INSTRUCTIONS**

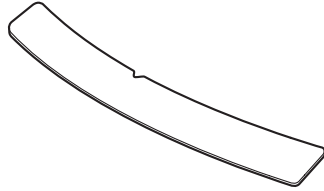
Accessory
REAR BUMPER APPLIQUE
P/N 08P48-TA0-100

Application
**2008 ACCORD
4-DOOR**

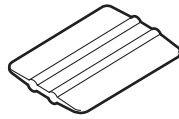
Publications No.
All 35366
Issue Date
AUG 2007

PARTS LIST

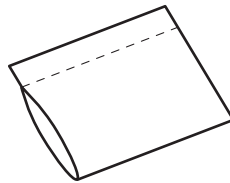
Rear bumper applique



Applicator



Soft sleeve



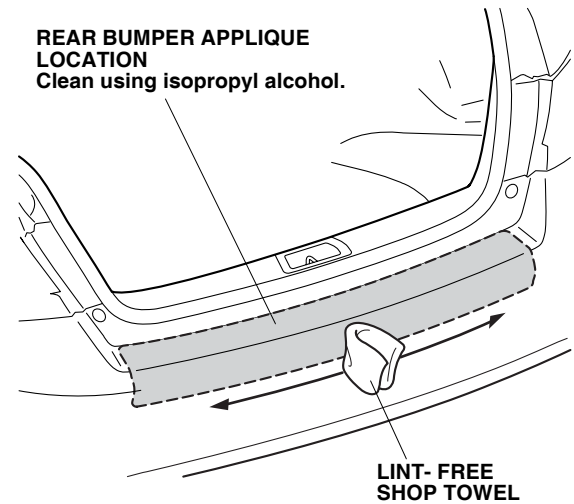
TOOLS AND SUPPLIES REQUIRED

- Isopropyl alcohol
- Shop towel
- Lint-free shop towel
- Masking tape
- Felt-tip pen
- Spray bottle
- 3M Protective tape application solution

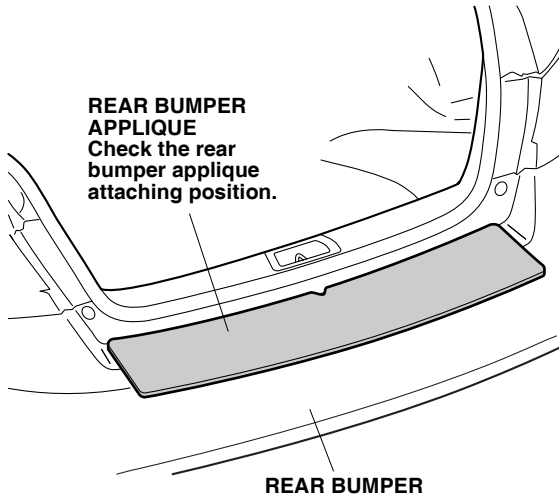
INSTALLATION

NOTE:

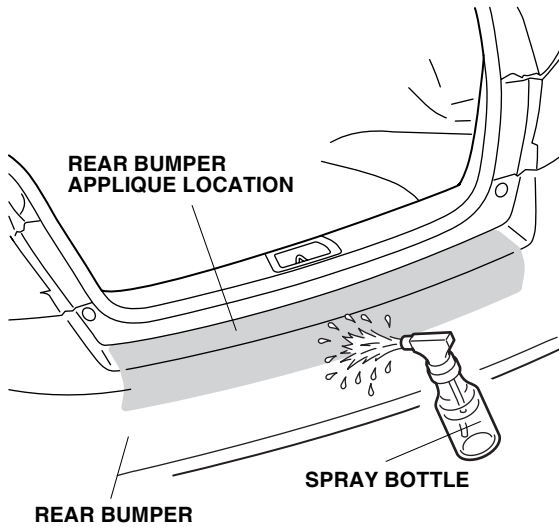
- Be careful not to damage the rear bumper and other finished surfaces of the body.
 - This rear bumper applique should be installed only if the ambient air temperature is 15°C (60°F) or above.
 - To allow the adhesive to cure, do not wash the vehicle for 24 hours.
1. Using isopropyl alcohol on a lint-free shop towel, clean the rear bumper where the rear bumper applique will attach.



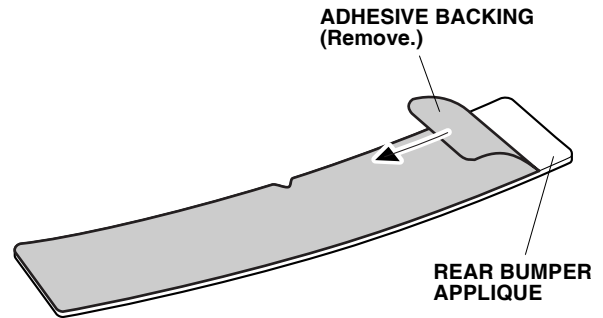
2. Align the rear bumper applique to the rear bumper and check the rear bumper applique attaching position.
3. Remove the rear bumper applique.



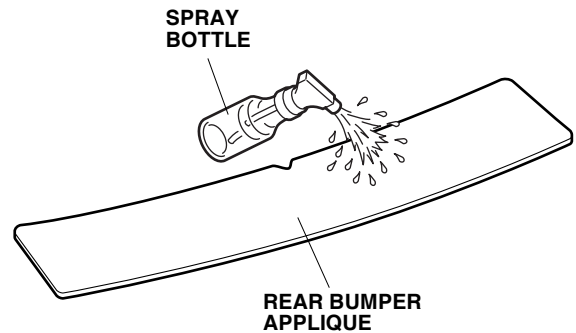
4. Using a spray bottle with 3M protective tape application solution, spray the rear bumper where the rear bumper applique will attach.



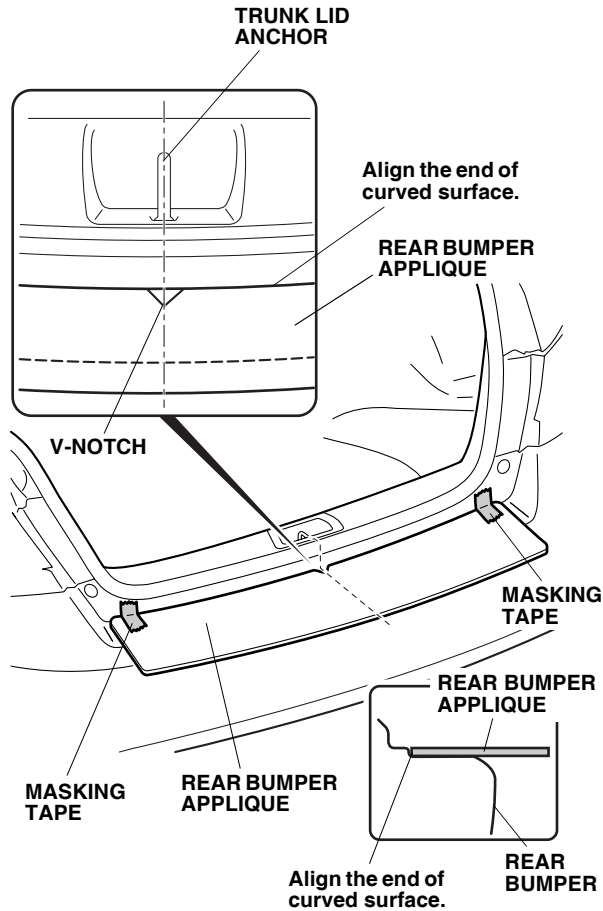
5. Remove the adhesive backing from the rear bumper applique.



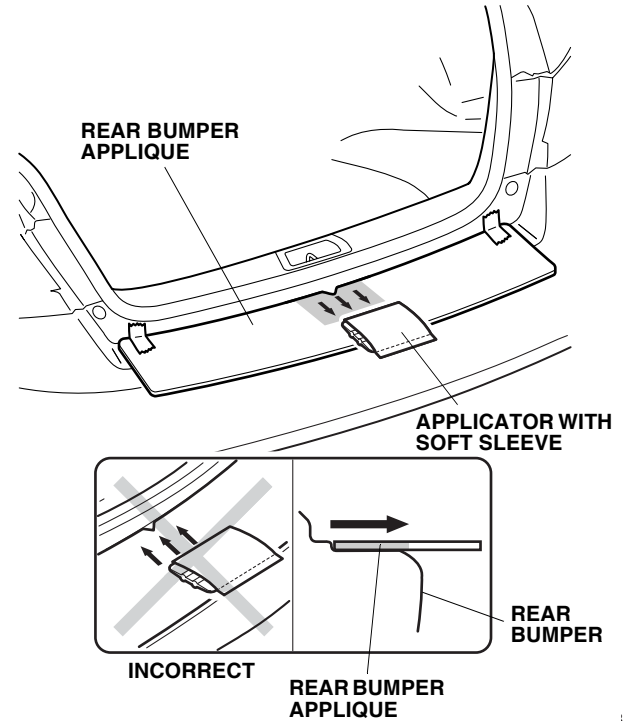
6. Using the spray bottle with 3M protective tape application solution, spray the rear bumper applique.



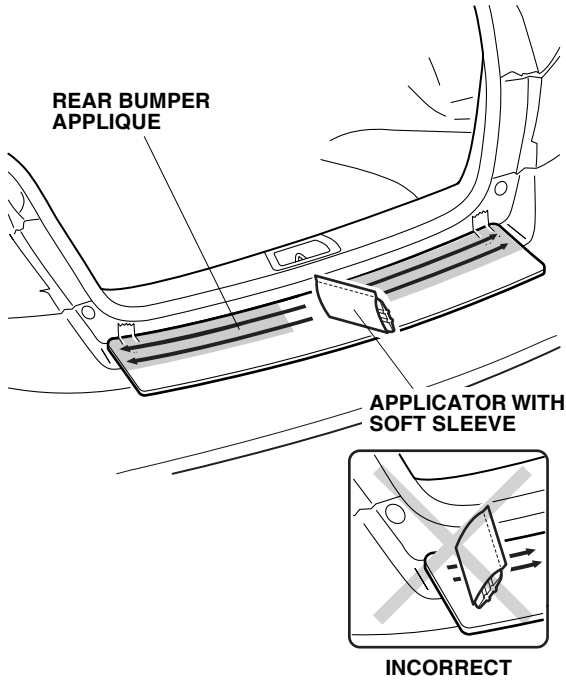
- Align the V-notch of the rear bumper applique with the center of the trunk lid anchor as shown. Smooth rear bumper applique along the rear bumper and tape each end at the curved surface.



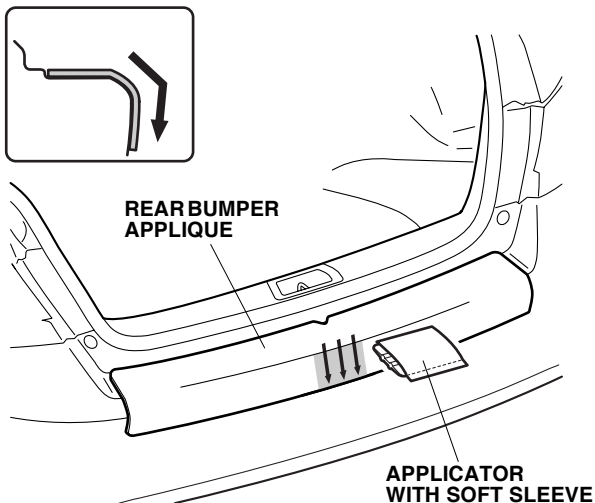
- Insert the applicator into the soft sleeve.
- Position the rear bumper applique on the rear bumper. Avoid touching the adhesive with your fingers.
- Using an applicator with soft sleeve, apply pressure to smooth out the top surface at the center of the rear bumper applique using downward strokes.
 - Do not push upward with the applicator.



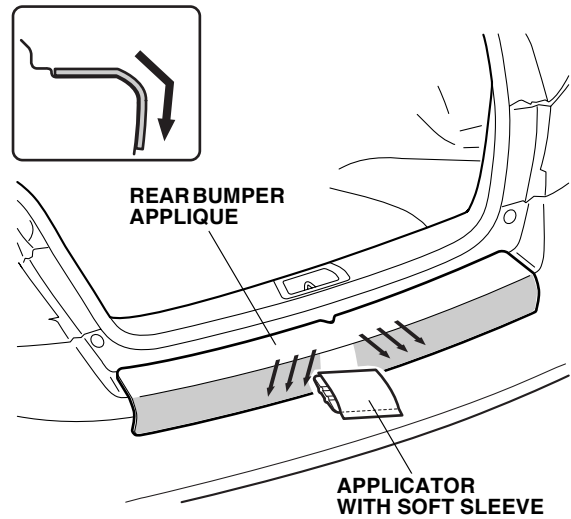
11. Starting from the center and working outward, use the applicator with soft sleeve to smooth the rear bumper applique. Repeat for right side. Stroke in one direction only.



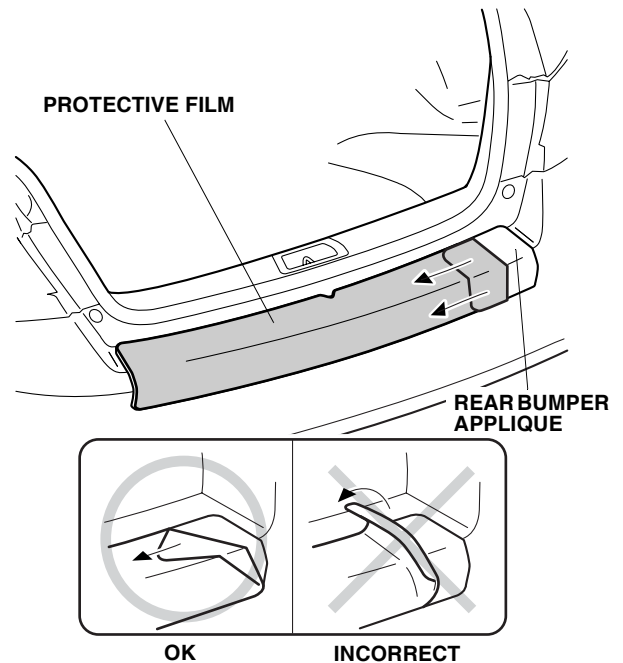
12. Once the flat surface is completely smooth with no bubbles, use the applicator with soft sleeve to apply the rear bumper applique to the rounded rear edge at the center as shown.



13. Use the applicator with soft sleeve to apply the rear bumper applique to the rounded rear edge on the left side as shown. Start in the middle and work outward. Repeat for the right side.



14. Remove the protective film from the top rear bumper applique. Remove the protective film slowly; do not pull up the protective film.



15. Use a shop towel to rub across and down on the rear round edge. Allow the rear bumper applique to dry thoroughly.

