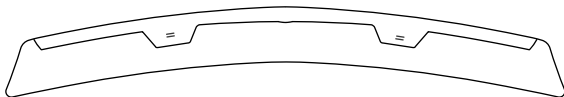


HONDA

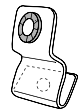
INSTALLATION INSTRUCTIONS	Accessory	Application	Issue Date
	BONNET PROTECTOR	2008 ACCORD	JAN 2008

08P01-TC0-L00
PARTS LIST
 Bonnet Protector



SMALL PARTS KIT COMPONENTS

Wing Clips



2

Screw Plugs



2

Nut Inserts



2

Grub Screws



2

Large Screws



2

Large Washers



2

Small Screws



2

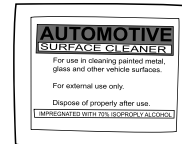
Small Washers



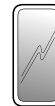
2

Alcohol Towelette

1



Abrasive Resistant Tapes



2

TOOLS REQUIRED

- Clean Cloth
- Soapy Water
- Sponge
- Non-Permanent Marker
- Phillips Head Screwdriver
- Flat Head Screwdriver
- Pliers

HONDA

Note: Read the following installation procedure before proceeding.

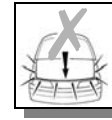
Note: Place these instruction into the vehicle glovebox after fitment is complete, and advise the customer they are there.



Do not use abrasive cleaners.



Clean Bonnet Protector with a mild detergent and water solution.



Do not slam bonnet.

1. Wash the bonnet with a mild soap and water solution, then dry thoroughly.

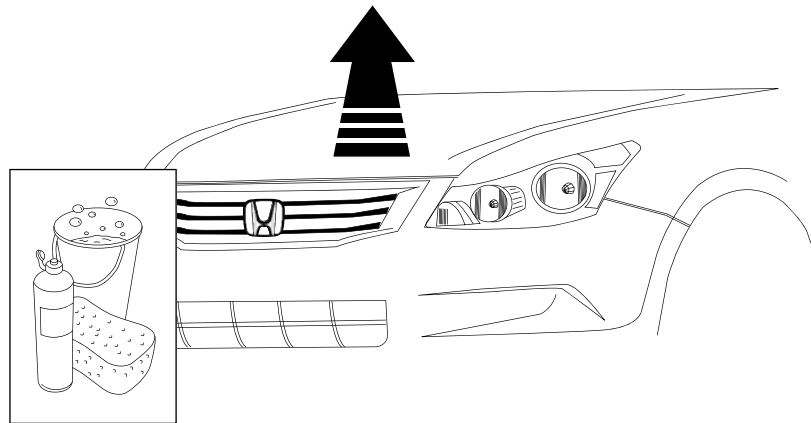


Figure 1.

2. Open the bonnet and trial fit the Bonnet Protector centrally onto bonnet.

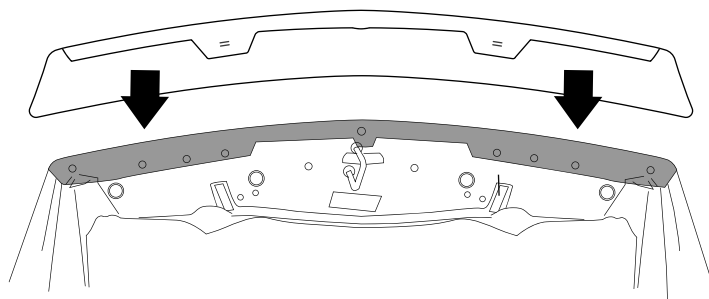
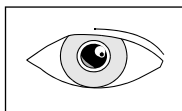


Figure 2.

HONDA

3. With a non-permanent marker, mark the wing clip slot positions with the bonnet lip. Also note which rubber seal retaining plugs line up with the two centre holes of the Bonnet Protector tags.

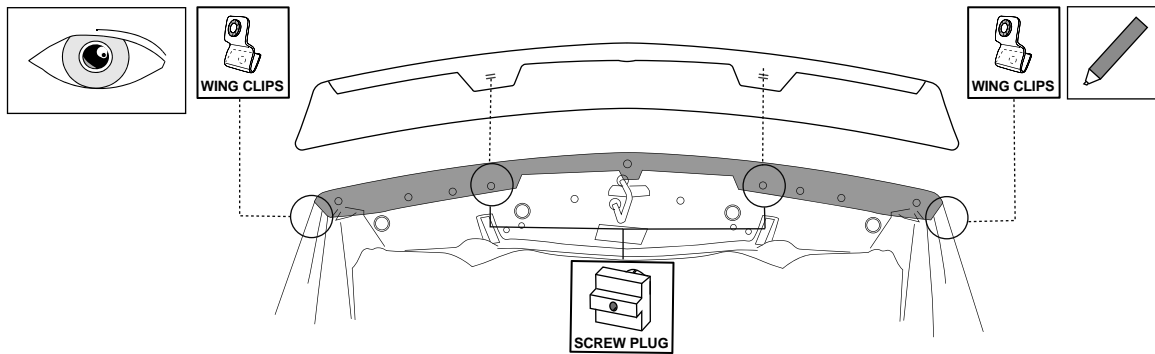


Figure 2.

4. Using pliers, carefully remove and discard the two rubber seal retaining plugs.
5. Insert the screw plugs provided into the vacant retaining plug holes.
6. Fit the Bonnet Protector, ensuring the Bonnet Protector tags rest between the bonnet and rubber seal. Secure the rubber seal and the Bonnet Protector tags to the screw plugs using the large screws and washers provided.

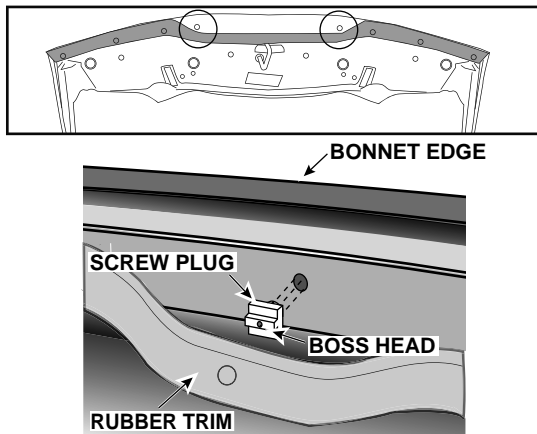


Figure 3.

Note: Ensure the boss heads of the screw plugs are parallel to the edge of the bonnet.

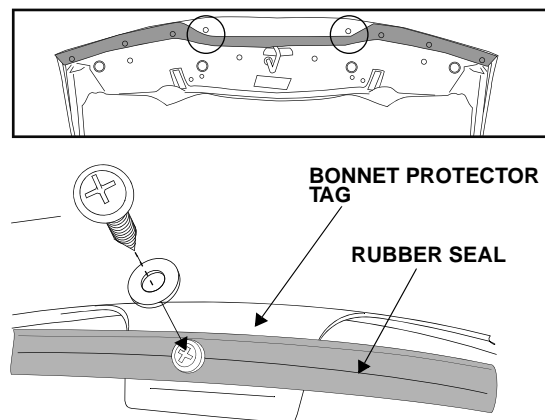


Figure 4.

HONDA

7. Clean the previously marked wing clip location area with the alcohol wipe provided.

8. Adhere the anti-abrasion tape over the bonnet lip so that approximately half of the tape is on the topside and underside.

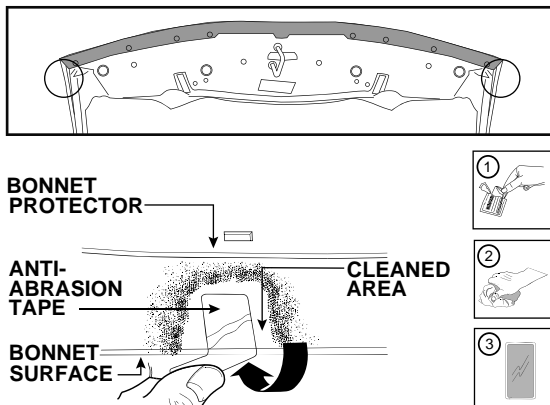


Figure 5.

9. Insert the nut insert into the wing clips as shown and slide them over the bonnet edge where the anti-abrasion tape is. Secure the wing clip by tightening the screw on the under-side of the wing clip.

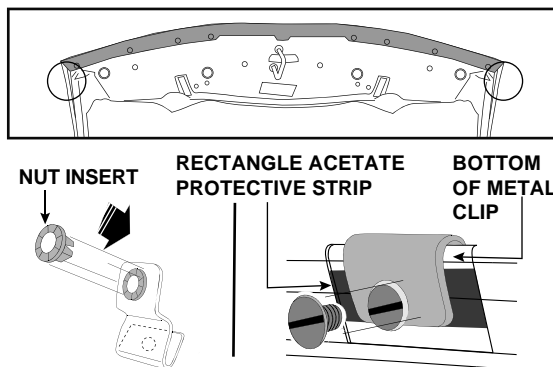


Figure 6.

IMPORTANT: Ensure the wing clip rests over the anti-abrasion tape and that it does not come into contact with the bonnet paint work. Failure to do this may result in paint damage.

10. Secure the Bonnet Protector to the wing clips using the Grub screws and washers provided.

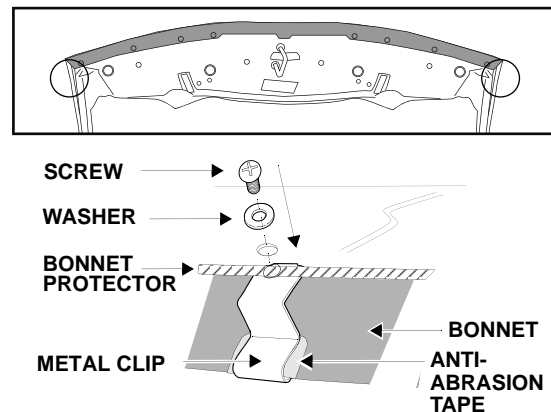


Figure 7.

11. For removal, reverse the above procedure.