



**INSTALLATION
INSTRUCTIONS**

Accessory
**AUTOMATIC DAY/NIGHT
MIRROR (EX)**

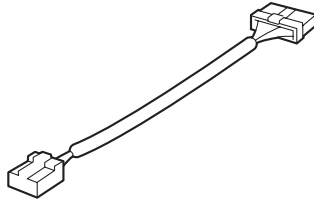
Application
**2008 ACCORD
2- AND 4-DOOR**

Publications No.
All 35371
Issue Date
AUG 2007

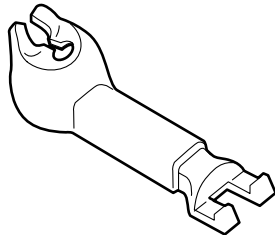
PARTS LIST

**Automatic Day/Night Mirror Attachment Kit
P/N 08V03-TA0-100B**

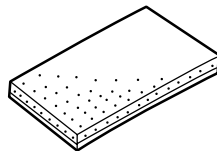
Automatic day/night mirror harness



Harness cover

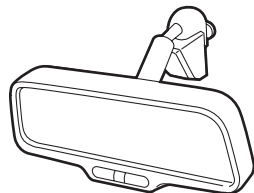


EPT sealer



**Automatic Day/Night Mirror Kit
P/N 08V03-TA0-100A**

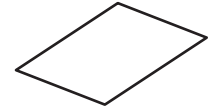
Automatic day/night mirror



Spring



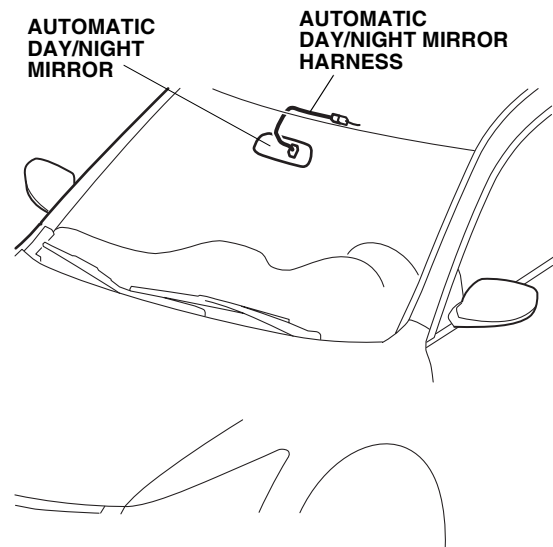
Operating Instructions



TOOLS AND SUPPLIES REQUIRED

- Flat-tip screwdriver
- Phillips screwdriver
- Isopropyl alcohol
- Shop towel
- Needle nose pliers

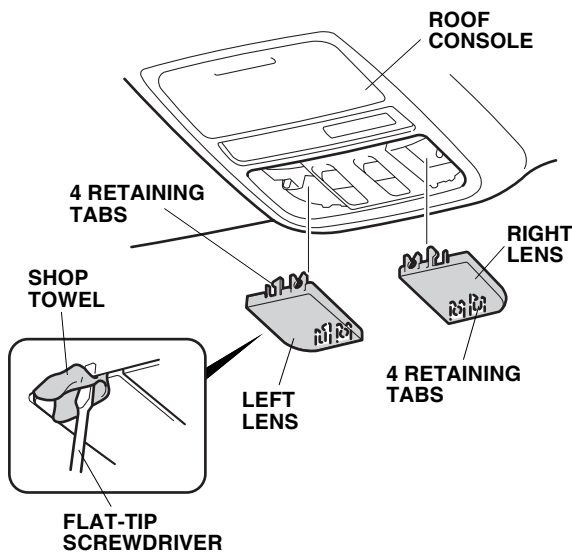
***Illustration of the Automatic Day/Night Mirror
Installed on the Vehicle***



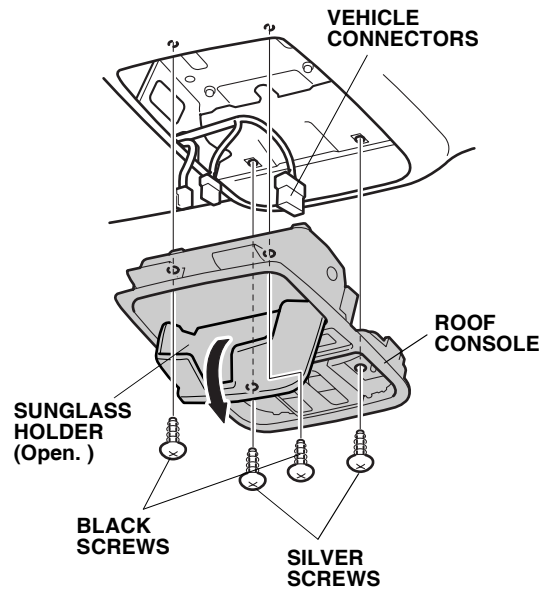
INSTALLATION

Customer Information: The information in this installation instruction is intended for use only by skilled technicians who have the proper tools, equipment, and training to correctly and safely add equipment to your vehicle. These procedures should not be attempted by "do-it-yourselfers."

1. Make sure you have the anti-theft code for the radio, or navigation system (if equipped), then write down radio station presets.
2. Disconnect the negative cable from the battery.
3. Disengage the eight retaining tabs, and remove the left and right lenses from the roof console.



4. Open the sunglasses holder.
5. Remove the four screws (two black and two silver) and let the roof console drop down. Disconnect the three vehicle connectors and remove the roof console.



6. Rotate the sunvisor holder 45° clockwise, and remove the two sunvisor holders.

