



INSTALLATION INSTRUCTIONS

Accessory
TRUNK TRAY
P/N 08U45-SNA-100

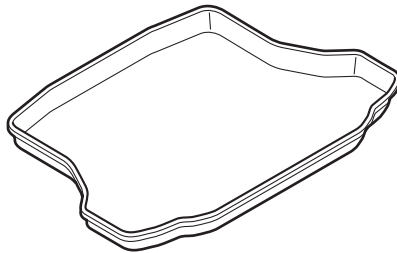
Application
2006-2007 CIVIC
2 AND 4-DOOR

Publications No.
All 29196
Issue Date
SEP 2005

Put this information in the glove box with the vehicle owner's manual.

PARTS LIST

Trunk tray



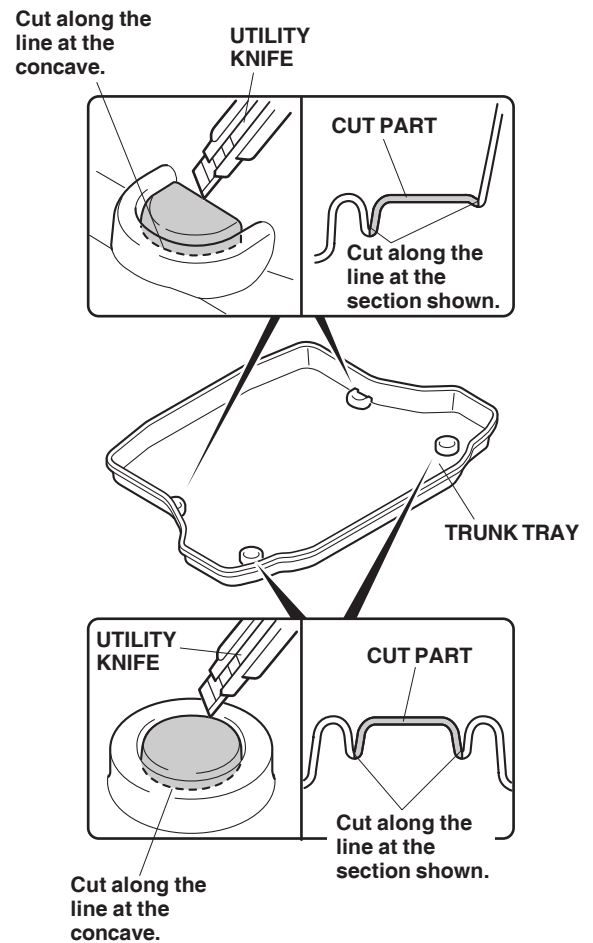
TOOLS AND SUPPLIES REQUIRED

- Utility knife
- Eye protection (face shield, safety goggles, etc.)
- Drill
- 5 mm Drill bit
- Pushpin

INSTALLATION

When both the trunk tray and cargo net are mounted on the car, go to the step 1. When the trunk tray is not mounted together with the cargo net, perform the procedure on page 2.

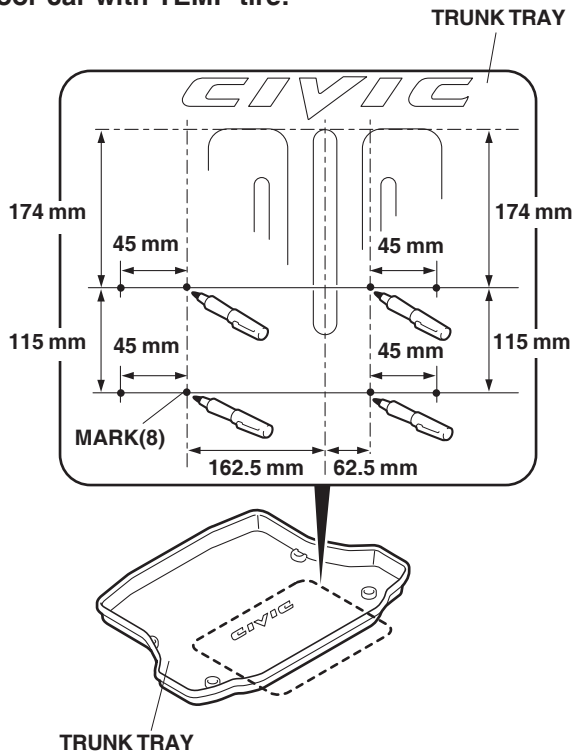
1. Cut out the cargo hook openings on the right and left of the trunk tray using a utility knife.



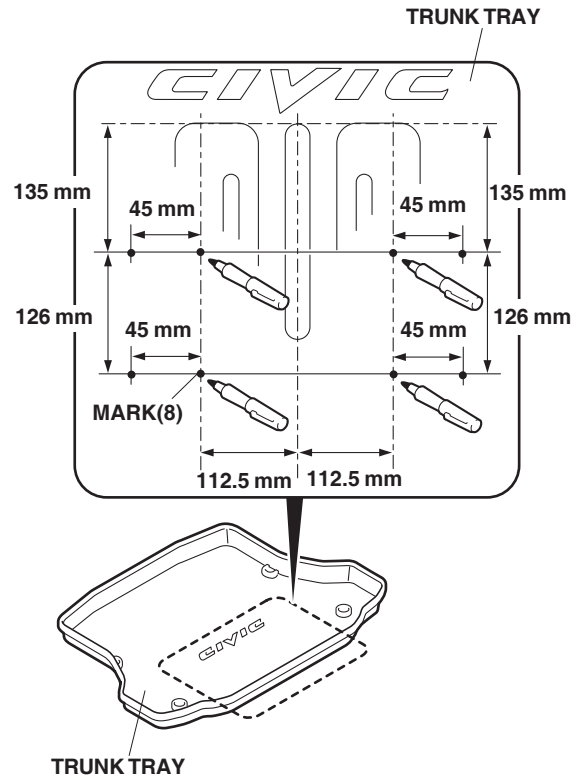
When the trunk floor has a strap, go to the step 2 shown below. When the trunk floor does not have a strap, go to the step 5 on page 3.

2. Mark the trunk tray in the positions shown using a felt-tip pen.

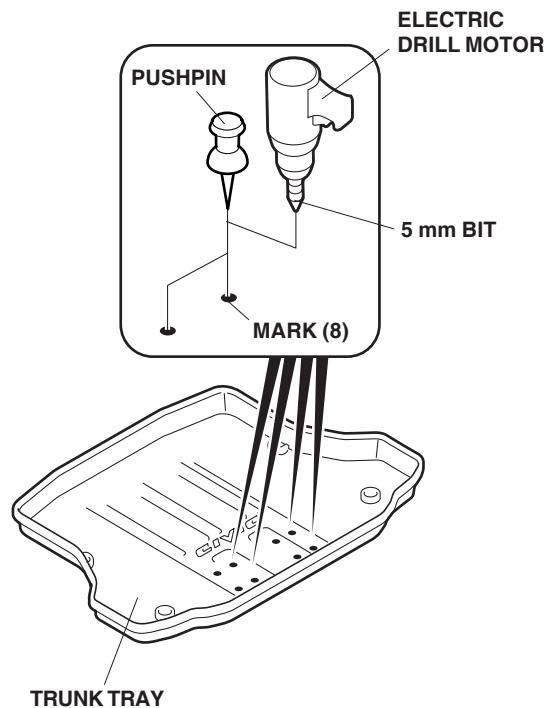
4-door car with TEMP tire:



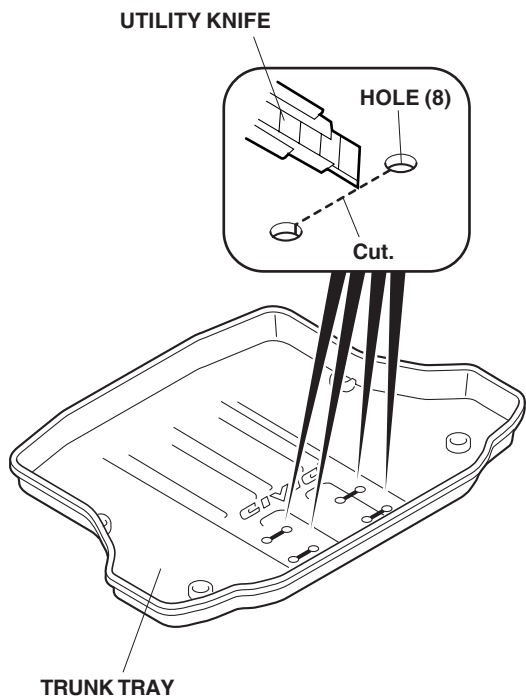
2-door car:



3. Using a pushpin, pierce at the eight marks you made on the trunk tray in the step 2. Drill the trunk tray at the pierced points using an electric drill motor with 5 mm bit. Remove the burrs from the edge of the holes.



4. Using a utility knife, cut the trunk tray straight in the part between each of a pair of the holes you just drilled as shown.



5. Place the trunk tray on the trunk floor.
- When both the trunk tray and cargo net are mounted on the car, align the hooks of the cargo net with the holes in the trunk tray.
 - When the trunk floor has a strap, pass the strap through the slit you made in the trunk tray.

