



INSTALLATION INSTRUCTIONS

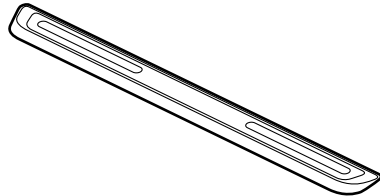
Accessory
SIDE SILL GARNISH

Application
2006-2008 CIVIC

Publications No.
Issue Date
OCT. 2006

PARTS LIST

2 Front side step covers



TOOLS AND SUPPLIES REQUIRED

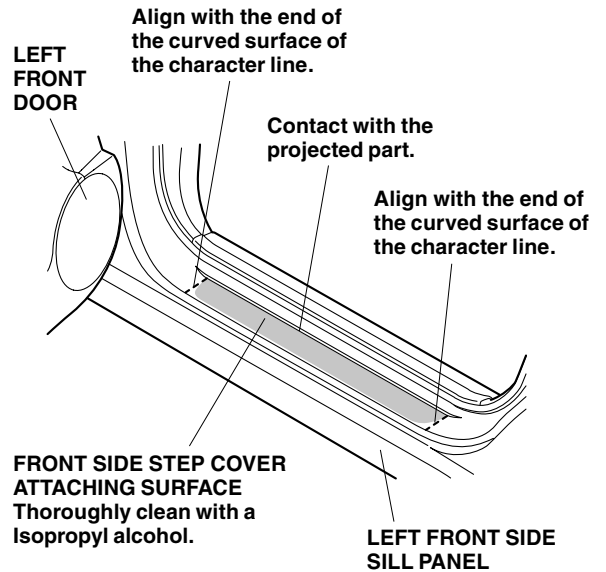
Isopropyl alcohol
Shop towel

INSTALLATION

Before You Begin:

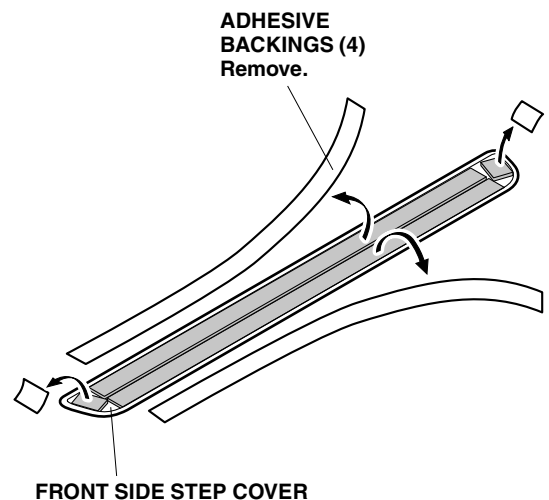
- This side step cover kit should only be installed if the ambient air temperature is 15°C (60°F) or above.
- Before attaching, thoroughly clean the areas where the side step covers will attach. To prevent spilling, use a shop towel to apply the cleaner and wipe up spilled cleaner at once. Allow the cleaner to dry thoroughly before attaching the covers.
- After attaching, hold the side step covers firmly against the side out garnish with the palm of your hand.
- To allow the adhesive to “cure”, do not wash the car for 24 hours.
- These instructions are for the left side of the car. The same procedure applies to the right side of the car.

1. Open the left front door. Match the front side step cover to the left front side sill panel, confirm the installation position, and clean it with Isopropyl alcohol.



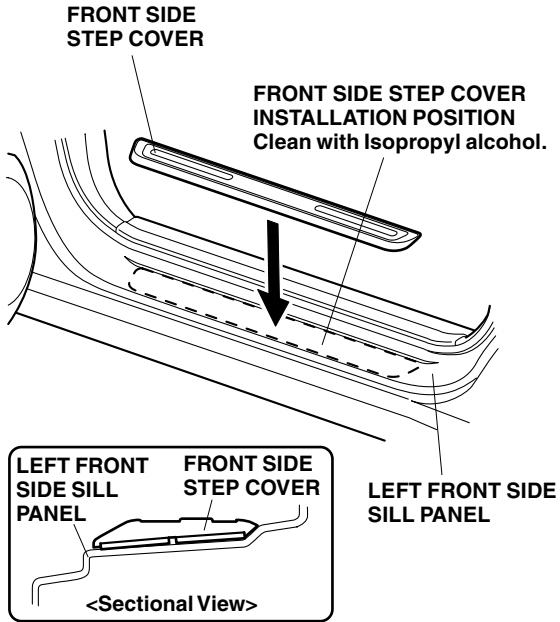
5525170S

2. Remove the adhesive backings completely.



5525180S

3. Align the front side step cover with the installation position you confirmed in step 1 and attach the front side step cover in the position. Press on the front side step cover, especially at both ends of it, securely with the palms of your hands.



5525190S

4. Repeat for the right side.