



**INSTALLATION
INSTRUCTIONS**

Accessory
**AUTOMATIC DAY/NIGHT
MIRROR**

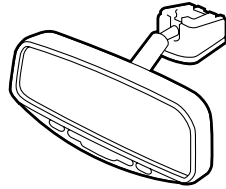
Application
2006-2008 PILOT

Publications No.
All 37136
Issue Date
JUNE 2007

PARTS LIST

**Automatic Day/Night Mirror Kit(sold separately):
P/N 08V03-SDA-100B**

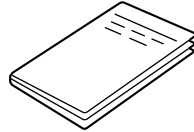
Day/night mirror



Spring

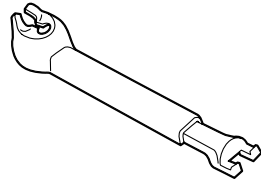


Accessory user's
information manual

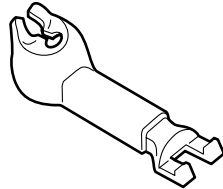


**Automatic Day/Night Mirror Attachment Kit
(sold separately):
P/N 08V03-SJC-102**

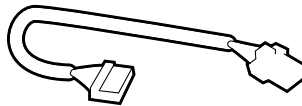
Upper and lower covers
(Long type)



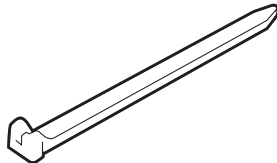
Upper and lower covers
(Short type : Not used)



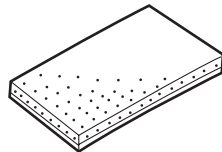
Mirror harness



3 Wire ties



EPT Sealer

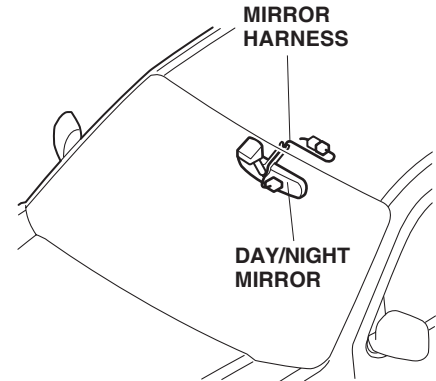


TOOLS AND SUPPLIES REQUIRED

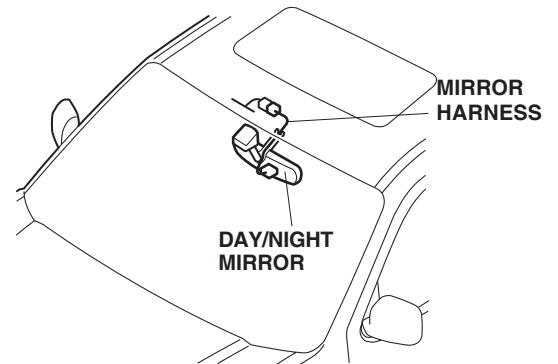
- Phillips screwdriver
- Flat-tip screwdriver
- Small flat-tip screwdriver
- 10 mm Combination wrench
- Diagonal cutters
- Ratchet
- 8 mm and 10 mm Socket
- Torque wrench
- Long nose pliers
- Isopropyl alcohol
- Shop towel

**Illustration of the Day/Night Mirror Installed on the
Vehicle**

Without moonroof



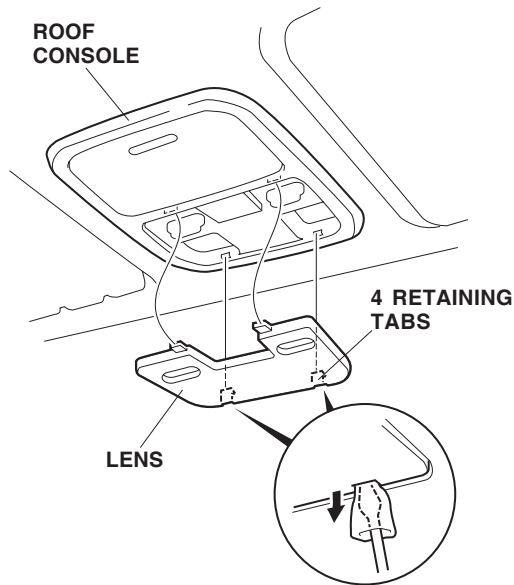
With moonroof



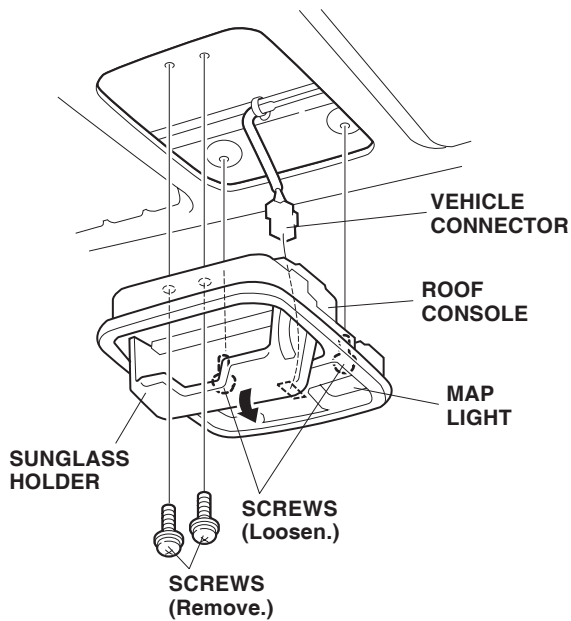
INSTALLATION

Customer Information: The information in this installation instruction is intended for use only by skilled technicians who have the proper tools, equipment, and training to correctly and safely add equipment to your vehicle. These procedures should not be attempted by “do-it-yourselfers.”

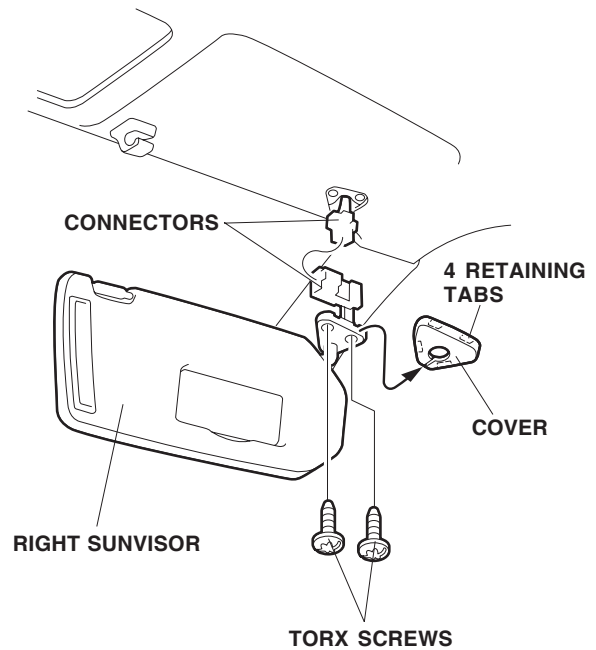
1. Make sure you have the anti-theft code for the radio, then write down the radio station presets.
2. Disconnect the negative cable from the battery.
3. Remove the lens from the roof console (four retaining tabs).



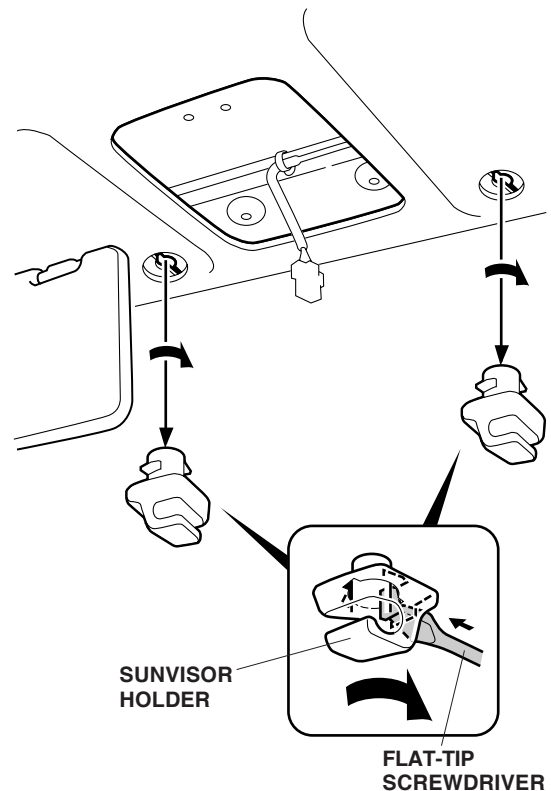
4. First remove two screws in sunglass holder then loosen two screws in map light area (near burds).
5. Remove the roof console (unplug one connector).



6. Remove the cover from the right sunvisor (four retaining tabs).

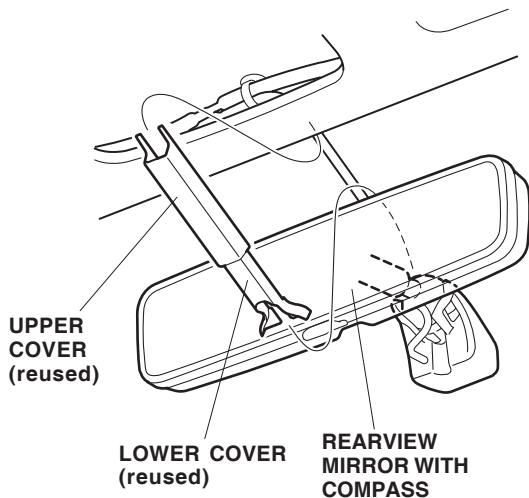


7. Remove the right sunvisor (two Torx screws and unplug the connector).
8. Remove the sunvisor holders. Using a flat-tip screwdriver, push the hook, and turn the holder 90,° then pull it out.

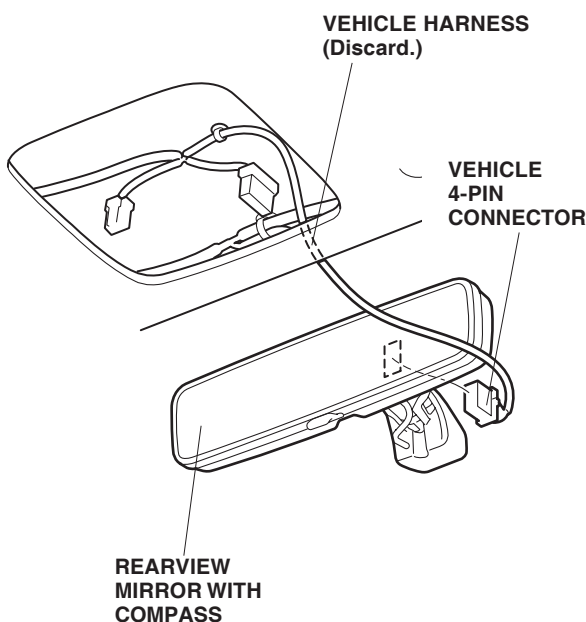


If the rearview mirror is compass equipped, continue with step 9; if it not equipped, go to step 11.

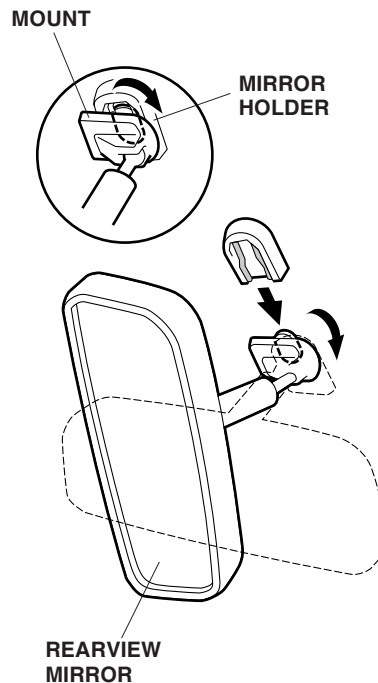
9. Remove the upper and lower cover (two retaining tabs).



10. Disconnect the vehicle harness 4-pin connector from the vehicle harness and from the rearview mirror. Set the vehicle harness aside; it will not be reused.



11. Remove the rearview mirror from the holder by rotating the mount clockwise.



12. Remove the spring, and install the new spring from the kit. Slide the day/night mirror mount onto the mirror holder, then turn the mirror mount counterclockwise as shown.

