



INSTALLATION INSTRUCTIONS

Accessory
CARGO COVER
 P/N 08U35-S9V-112 (Gray)
 P/N 08U35-S9V-122 (Saddle)
 P/N 08U35-S9V-142 (Fern)

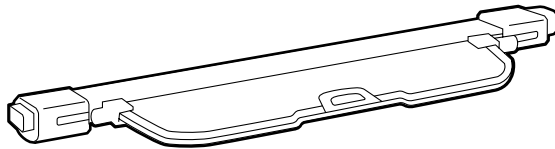
Application
2006-2008 PILOT

Publications No.
All 37147
 Issue Date
JUNE 2007

Put this information in the glove box with the vehicle owner's manual.

PARTS LIST

Cargo cover



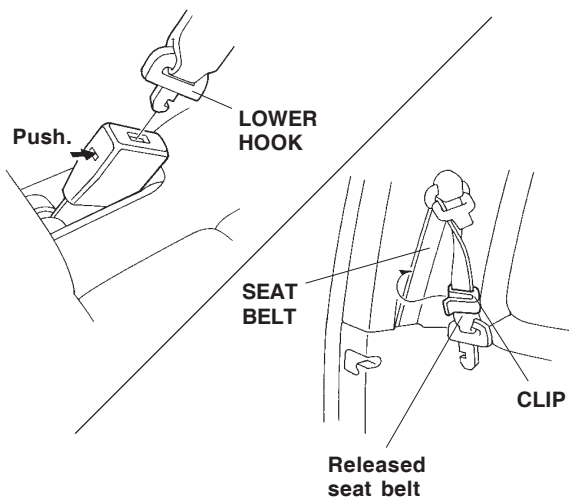
TOOL REQUIRED

Small flat-tip screwdriver

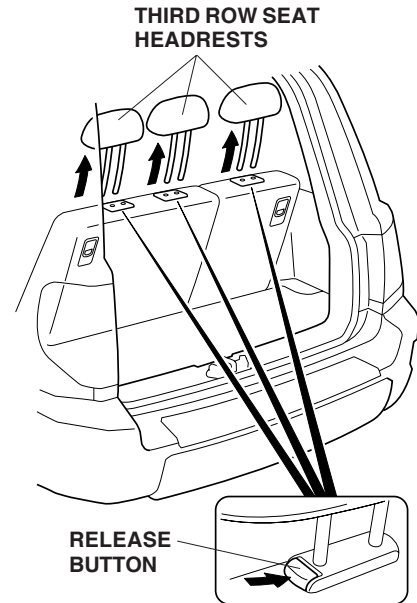
INSTALLATION

Installing the Cargo Cover Behind the Second Seat

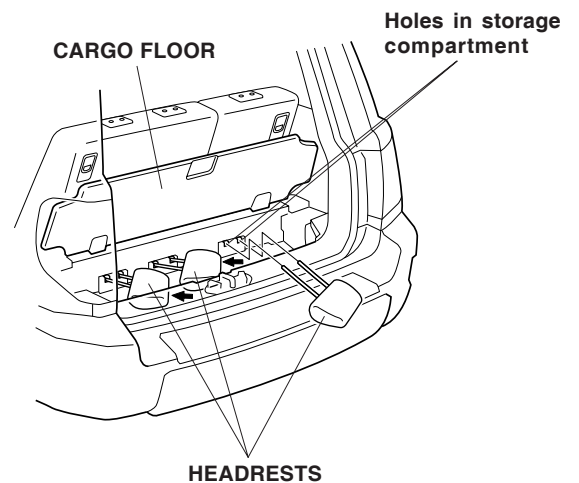
- Using a small flat-tip screwdriver or the ignition key, release the seat belt lower hook from each third row seat; then attach the seat belt clip to the seat belt.



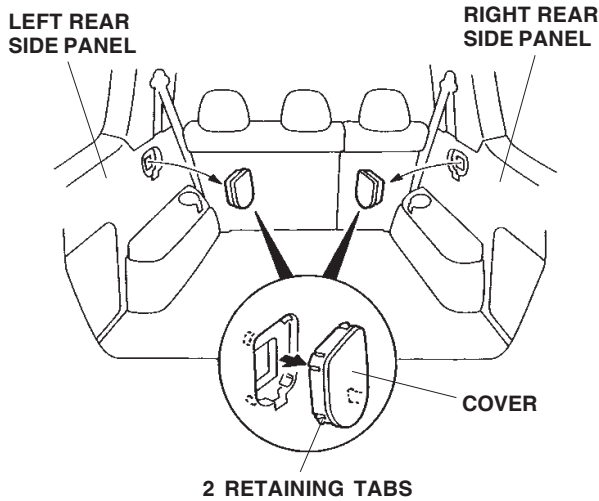
- Remove the headrests from the third row seats by pushing the release buttons, and pulling the headrests out.



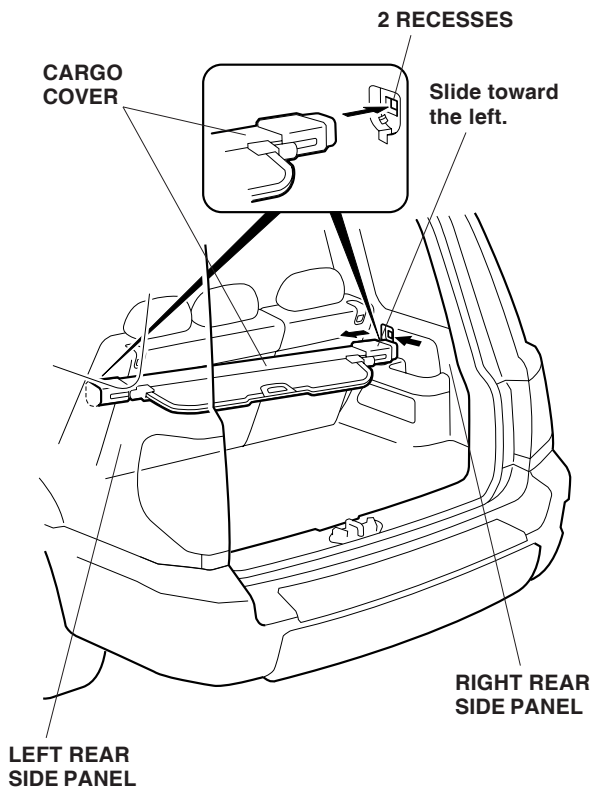
- Store the headrests in the storage compartment under the cargo floor. Insert the posts of the headrests into the holes in the front of the storage compartment.



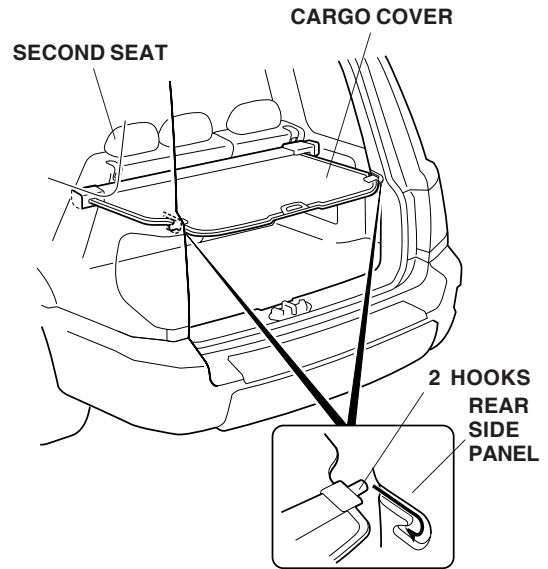
4. Fold down both third row seats.
5. Using a small flat-tip screwdriver or ignition key, remove the front, right and left side panel covers by releasing the retaining tab. Save the covers so they can be reinstalled when the cargo cover is removed.



6. Install the cargo cover into the recess in the left rear side panel in the direction shown, then compress the cargo cover, and install it in the right rear side panel.

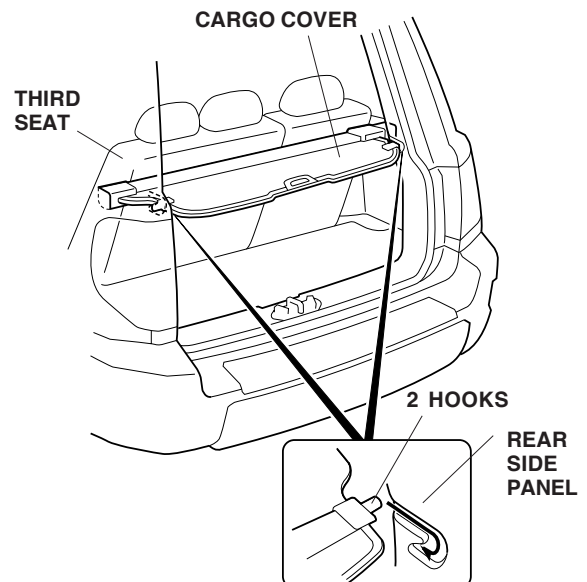


7. Attach the right and left hooks to the rear side panel.



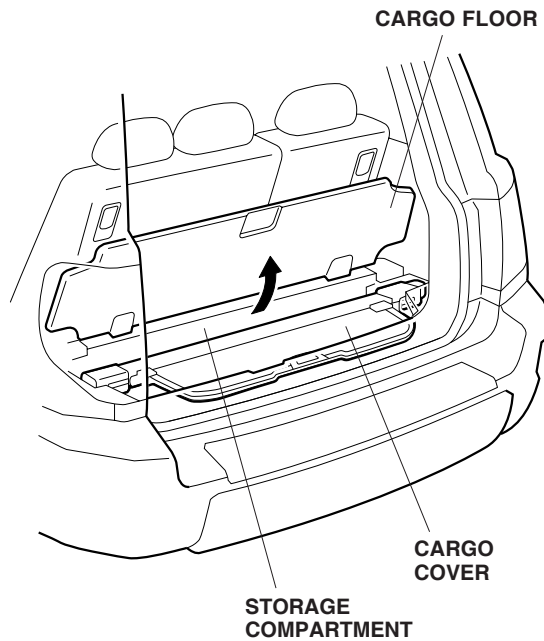
Installing the Cargo Cover Behind the Third Seat

8. Using a small flat-tip screwdriver or ignition key, remove the rear right and left side panel covers by releasing the retaining tab. Save the covers so they can be reinstalled when the cargo cover is removed.
9. Install the cargo cover into the recess in the left rear side panel in the direction shown, then compress the cargo cover, and install it in the right rear side panel.
10. Attach the right and left hooks to the rear side panel.



STORING THE CARGO COVER

Store the cargo cover in the storage compartment under the cargo floor.



CLEANING THE CARGO COVER

Use a sponge or cloth and a solution of mild liquid dishwashing soap and water, then wipe dry with a clean cloth or sponge.